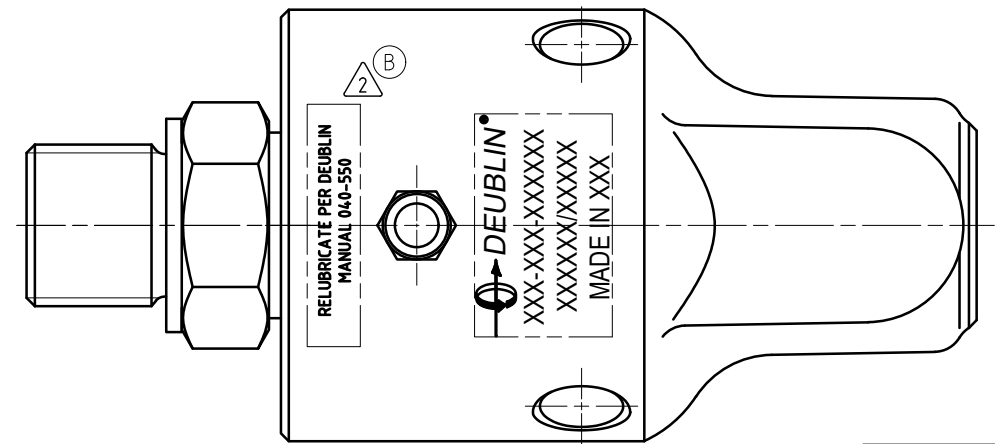
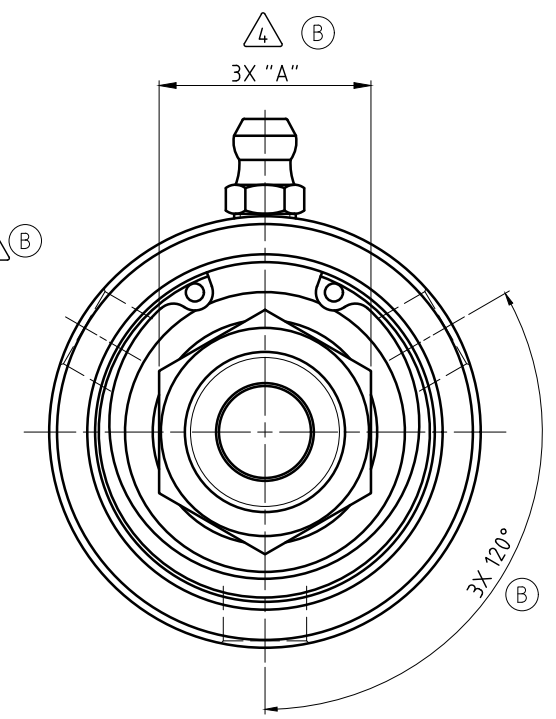
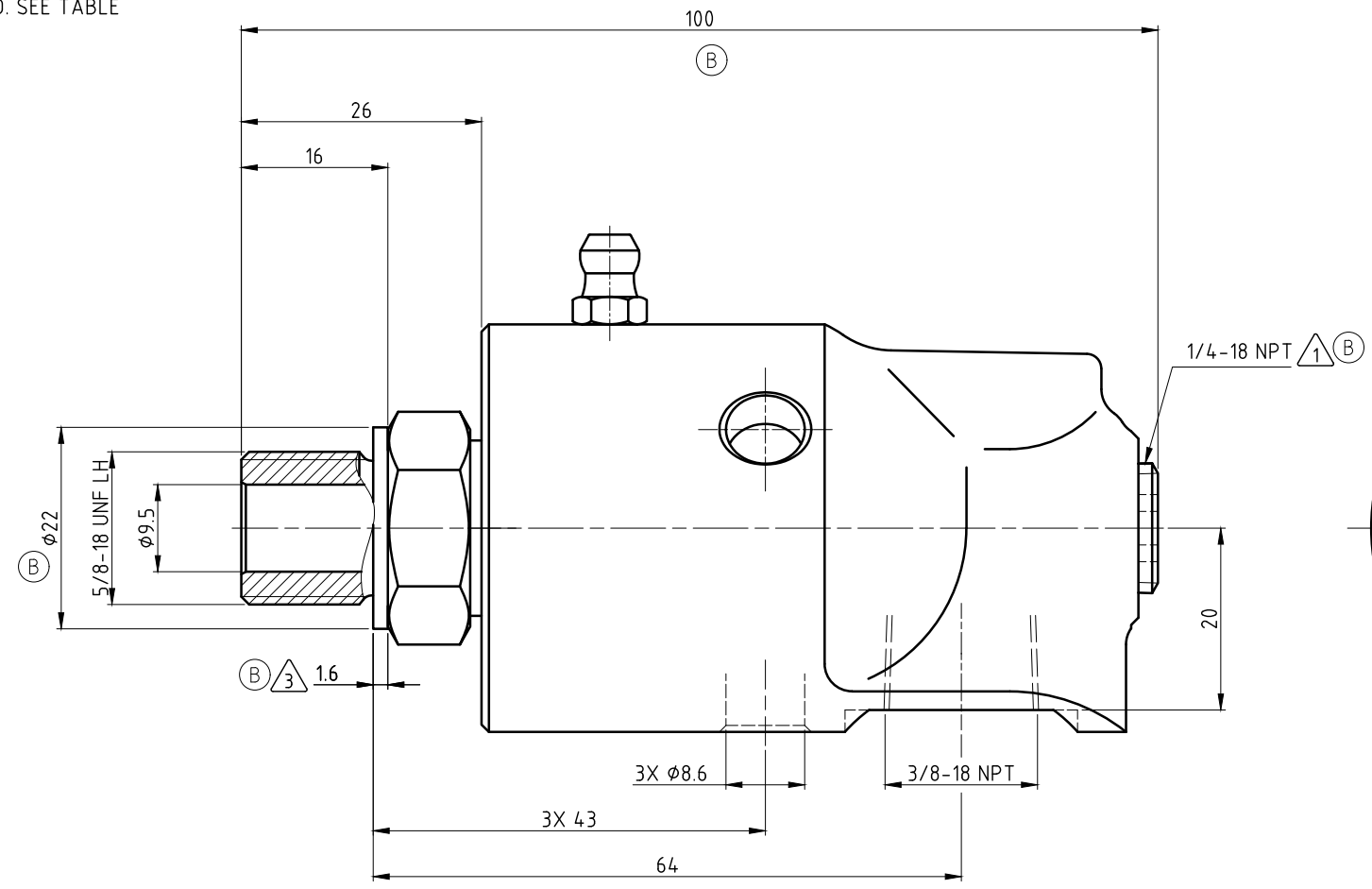
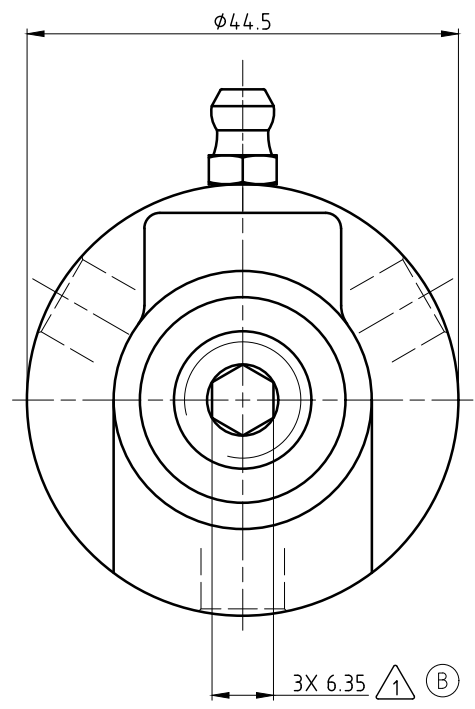


**CONFIDENTIAL**  
 The reproduction, distribution and utilization of this document as well as the communication of its contents to others without express authorization is prohibited. Offenders will be held liable for the payment of damages. All rights reserved in the event of the grant of a patent, utility model or design.

- NOTES:
- ① - PLUG INSTALLED HAND TIGHT FROM FACTORY. IF PORT IS NOT UTILIZED, TIGHTEN BEFORE USE.
  - ② - CONTACT DEUBLIN OR VISIT [WWW.DEUBLIN.COM](http://WWW.DEUBLIN.COM) FOR INSTRUCTION MANUAL: 040-550
  - ③ - GASKET THICKNESS. (B)
  - ④ - DEPENDING ON COUNTRY OF ORIGIN, HEX STOCK MAY VARY AS NOTED. SEE TABLE FOR ACCEPTABLE WRENCH SIZES. (B)



**OPERATING DATA**

MEDIA	WATER	THERMAL OIL
PRESSURE MAX.	50 bar	6.6 bar
SPEED MAX.	3500 min <sup>-1</sup>	
TEMPERATURE MAX.	93 °C	
DRY RUN (WITHOUT ANY MEDIA)	NO	
RECOMMENDED FILTRATION	60 micron	

④	HEX SIZES		WRENCHES	
	UNITS	"A"	22mm	7/8"
③	METRIC [mm]	22-0.33	✓	✓
	IMPERIAL [in]	22.23-0.013	✗	✓



PROJECTION:	SCALE: 2:1	MATERIAL:	INTERFACE CONTROL DRAWING
DATE	NAME	TITLE:	DEUBLIN UNION
DRN. 11/13/15	NR		
ENGR. 11/13/15	TW		
APPD.			
NO. 57-050-004			
SHEET A2			

ISSUE/	MODIFICATION	ECO	DATE	SIGN
B	SEE CD	60034	1/21	MTS
A	SEE ECO	056336	05/20	MTS

UNLESS SPECIFICALLY TOLERANCED, ALL DIMENSIONS ARE CONSIDERED REFERENCE