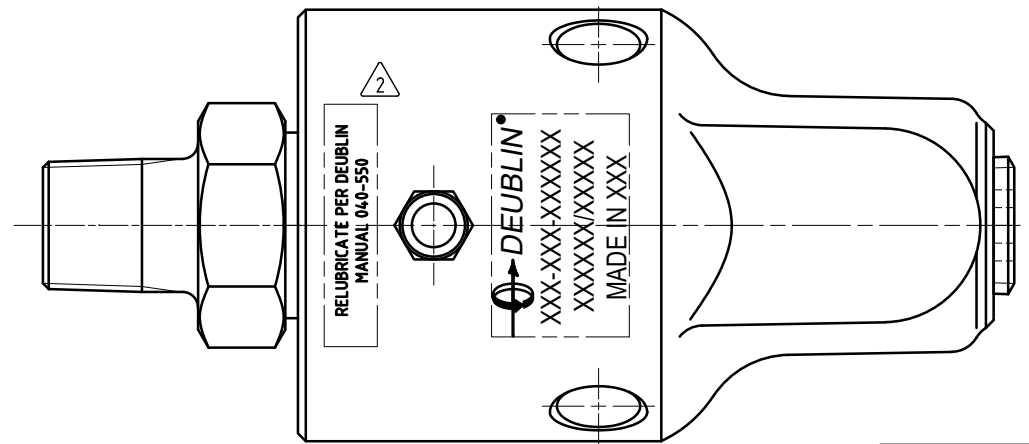
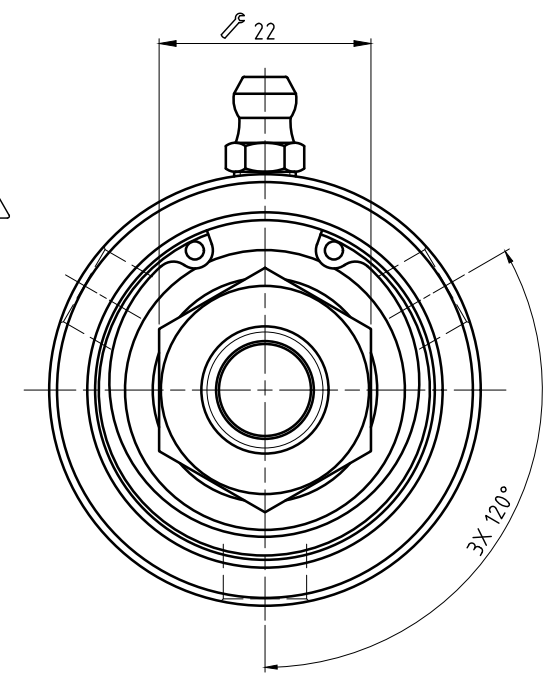
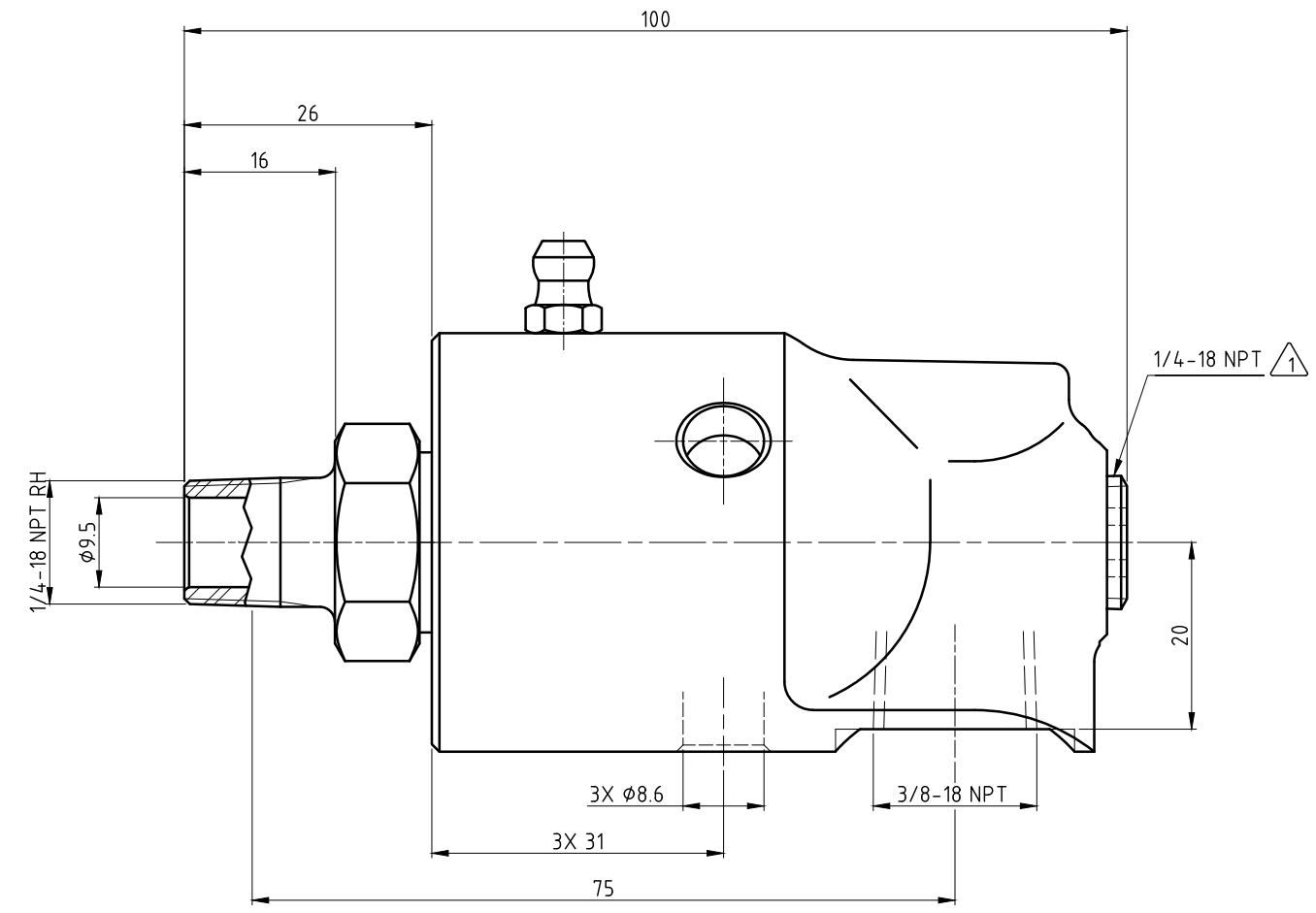
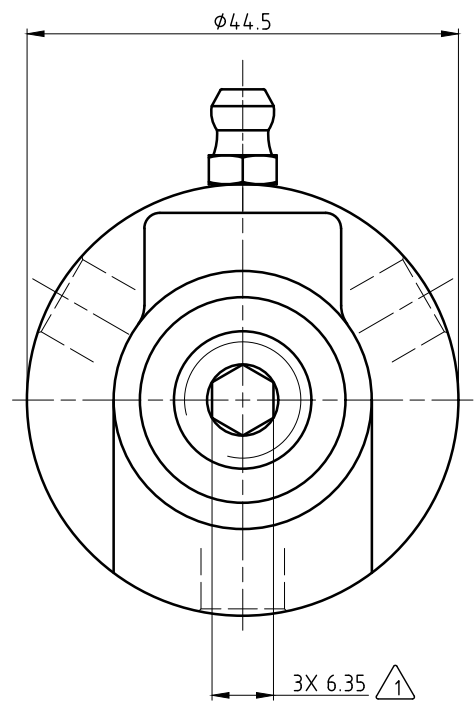


**CONFIDENTIAL**  
 The reproduction, distribution and utilization of this document as well as the communication of its contents to others without express authorization is prohibited. Offenders will be held liable for the payment of damages. All rights reserved in the event of the grant of a patent, utility model or design.

- NOTES:
- ① - PLUG INSTALLED HAND TIGHT FROM FACTORY. IF PORT IS NOT UTILIZED, TIGHTEN BEFORE USE.
  - ② - CONTACT DEUBLIN OR VISIT [WWW.DEUBLIN.COM](http://WWW.DEUBLIN.COM) FOR INSTRUCTION MANUAL: 040-550



OPERATING DATA		
MEDIA	WATER	THERMAL OIL
PRESSURE MAX.	50 bar	6.6 bar
SPEED MAX.	1500	$\text{min}^{-1}$
TEMPERATURE MAX.	93	$^\circ\text{C}$
DRY RUN (WITHOUT ANY MEDIA)	NO	
RECOMMENDED FILTRATION	60 micron	

		PROJECTION:	SCALE: 2:1
		DATE	MATERIAL: INTERFACE CONTROL DRAWING
		NAME	TITLE: DEUBLIN UNION
		DRN. 08/13/2020	NO. 57-050-008
		ENGR. 10/2/2020	
		APPD.	SHEET A2
A	RELEASE 05/23/08	08/20	UNLESS SPECIFICALLY TOLERANCED, ALL DIMENSIONS ARE CONSIDERED REFERENCE
	ISSUE/MODIFICATION	ECO	DATE
		MTS	SIGN