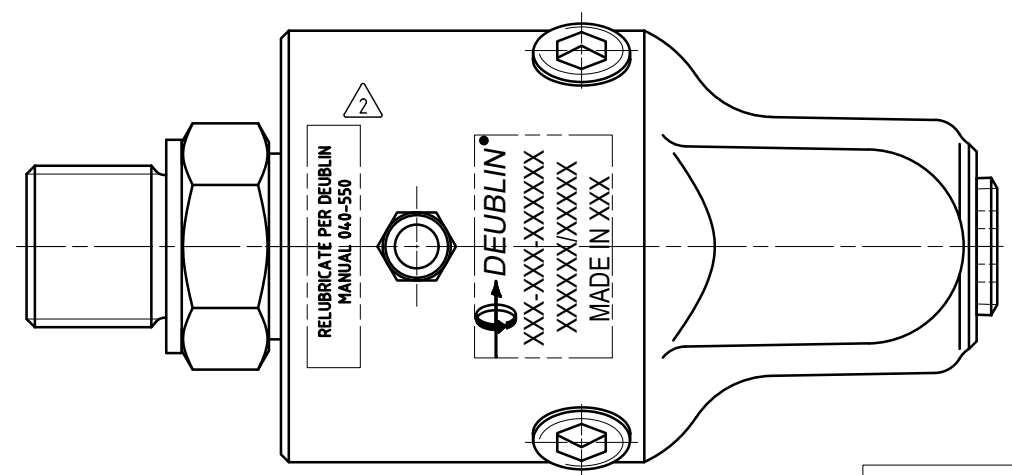
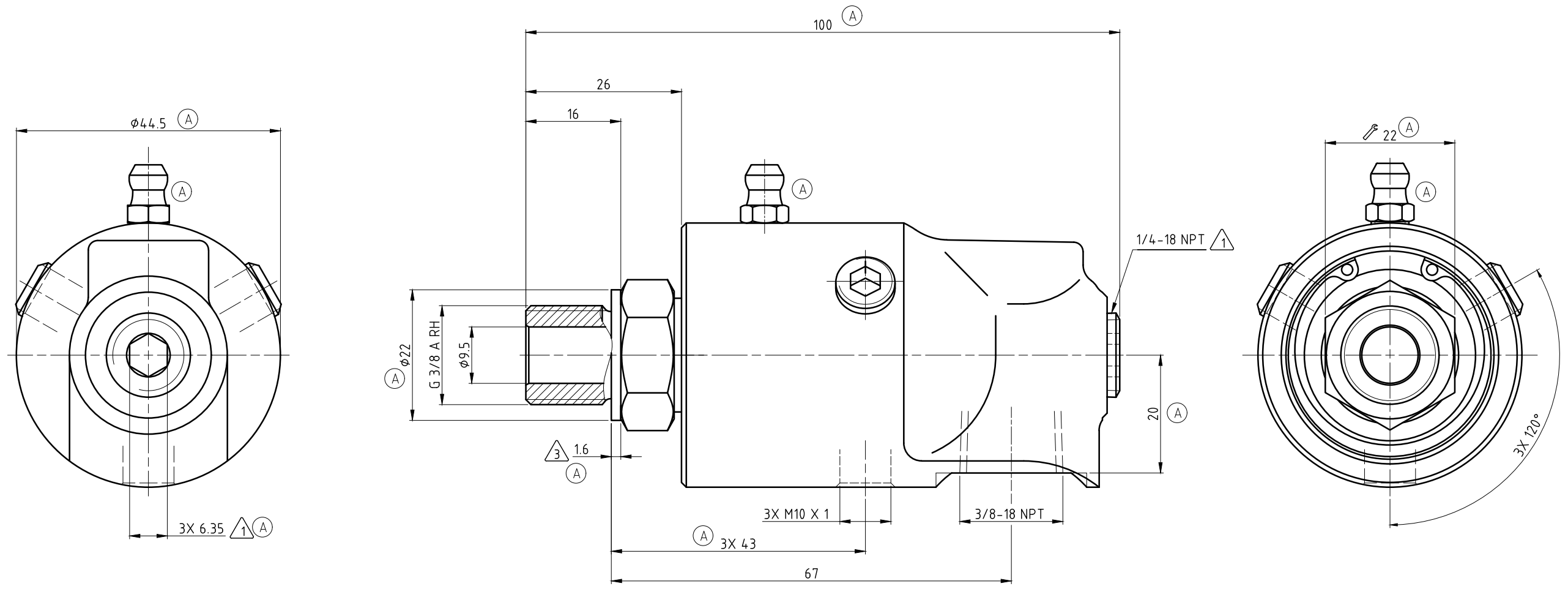


- NOTES:
- ① - PLUG INSTALLED HAND TIGHT FROM FACTORY. IF PORT IS NOT UTILIZED, TIGHTEN BEFORE USE.
 - ② - CONTACT DEUBLIN OR VISIT WWW.DEUBLIN.COM FOR INSTRUCTION MANUAL: 040-550
 - ③ - GASKET THICKNESS.



OPERATING DATA

MEDIA	WATER	SATURATED STEAM (INTERMITTENT)	THERMAL OIL
PRESSURE MAX.	50 bar	1 bar	6.6 bar
SPEED MAX.	3500 min ⁻¹		
TEMPERATURE MAX.	120 °C		
DRY RUN (WITHOUT ANY MEDIA)	NO		
RECOMMENDED FILTRATION	60 micron		

		PROJECTION:	SCALE: 2:1
		DATE	MATERIAL: INTERFACE CONTROL DRAWING
		NAME	TITLE: DEUBLIN UNION
		DRN. 26.07.2018 MKI	NO. 57-065-094
		ENGR. 26.07.2018 CW	
		APPD.	SHEET A2
A	SEEED 057230 08/20 MTS	UNLESS SPECIFICALLY TOLERANCED, ALL DIMENSIONS ARE CONSIDERED REFERENCE	
	ISSUE/MODIFICATION ECO DATE SIGN		