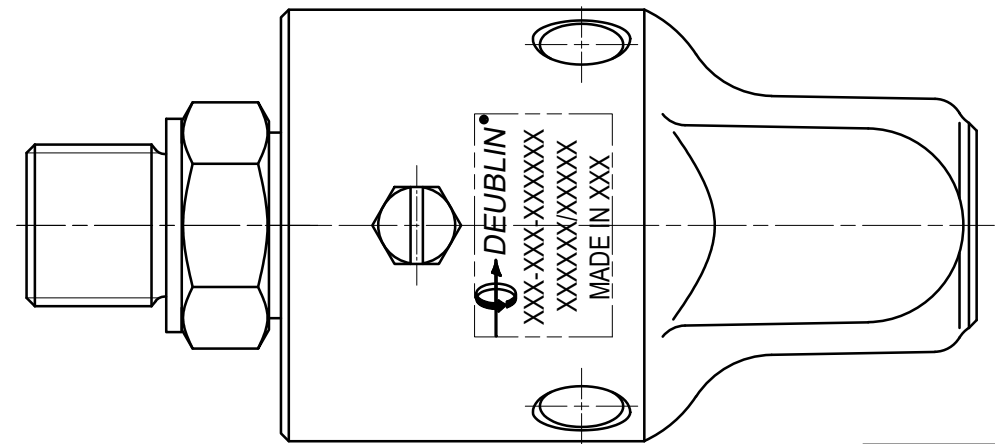
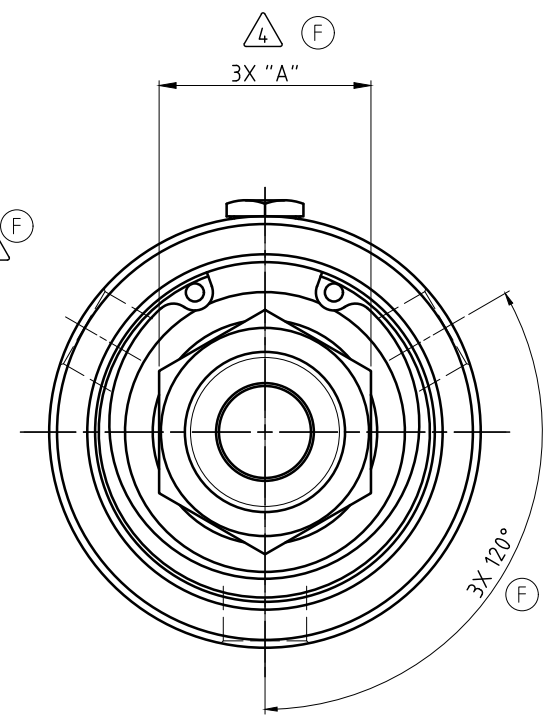
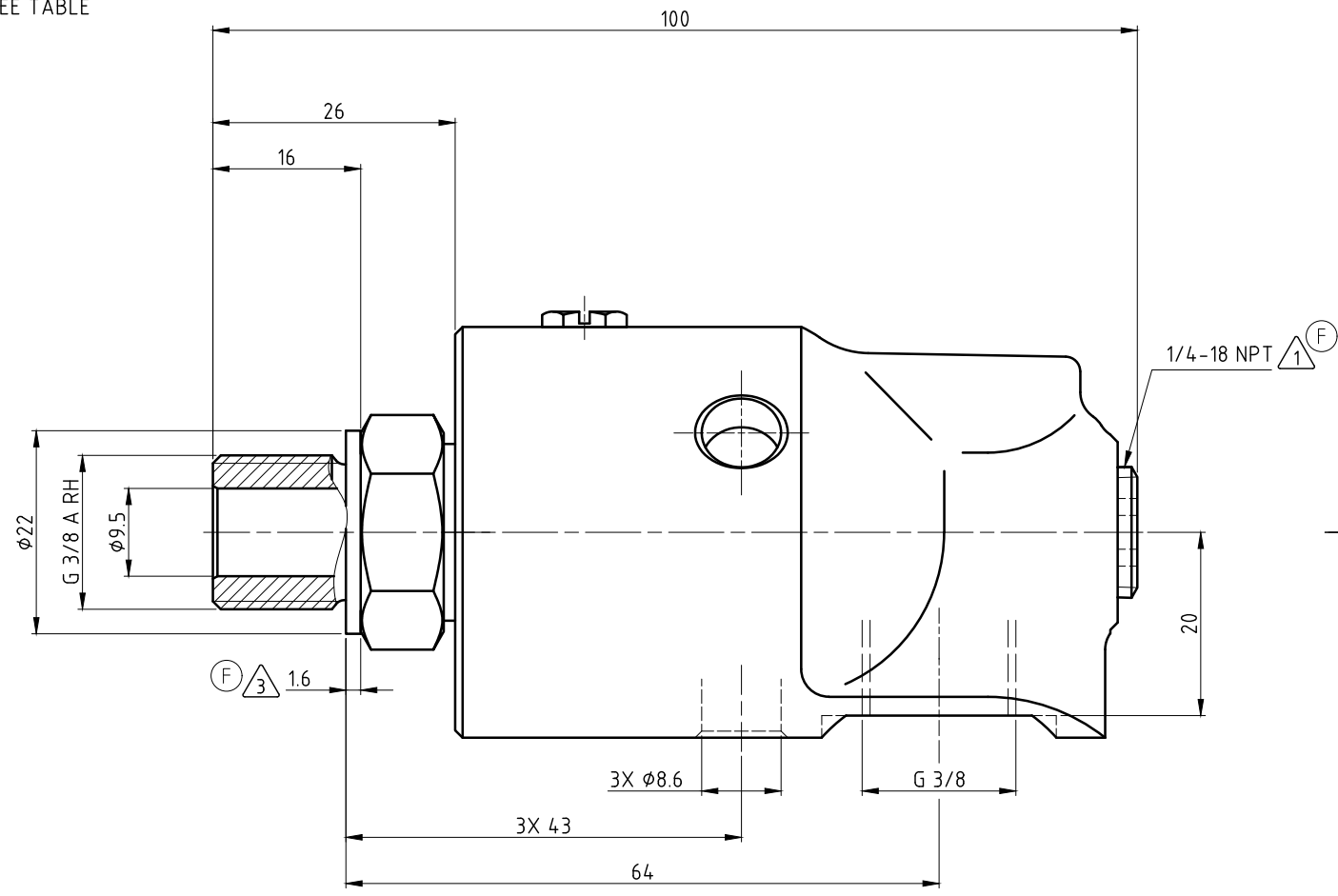
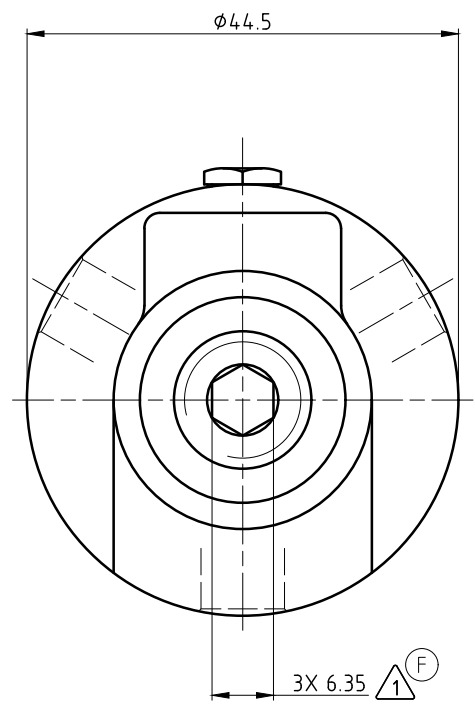


CONFIDENTIAL
 The reproduction, distribution and utilization of this document as well as the communication of its contents to others without express authorization is prohibited. Offenders will be held liable for the payment of damages. All rights reserved in the event of the grant of a patent, utility model or design.

- NOTES:
- ① - PLUG INSTALLED HAND TIGHT FROM FACTORY. IF PORT IS NOT UTILIZED, TIGHTEN BEFORE USE.
 - 2 - CONTACT DEUBLIN OR VISIT WWW.DEUBLIN.COM FOR INSTRUCTION MANUAL: 040-550
 - ③ - GASKET THICKNESS.
 - ④ - DEPENDING ON COUNTRY OF ORIGIN, HEX STOCK MAY VARY AS NOTED. SEE TABLE FOR ACCEPTABLE WRENCH SIZES. (F)



| OPERATING DATA | | | |
|-----------------------------|------------------------|--------------------------------|-------------|
| MEDIA | WATER | SATURATED STEAM (INTERMITTENT) | THERMAL OIL |
| PRESSURE MAX. | 50 bar | 1 bar | 6.6 bar |
| SPEED MAX. | 3500 min ⁻¹ | | |
| TEMPERATURE MAX. | 121 °C (F) | | |
| DRY RUN (WITHOUT ANY MEDIA) | NO | | |
| RECOMMENDED FILTRATION | 60 micron | | |

| ④ | HEX SIZES | | WRENCHES | |
|-----|---------------|-------------|----------|------|
| | UNITS | "A" | 22mm | 7/8" |
| (F) | METRIC [mm] | 22-0.33 | ✓ | ✓ |
| | IMPERIAL [in] | 22.23-0.013 | ✗ | ✓ |

| | | | |
|--|--|-------------|-------------------------------------|
| | | PROJECTION: | SCALE: 2:1 |
| | | DATE | MATERIAL: INTERFACE CONTROL DRAWING |
| | | NAME | TITLE: DEUBLIN UNION |
| | | DATE | NO. 57-130-094 |
| | | DATE | SHEET A2 |