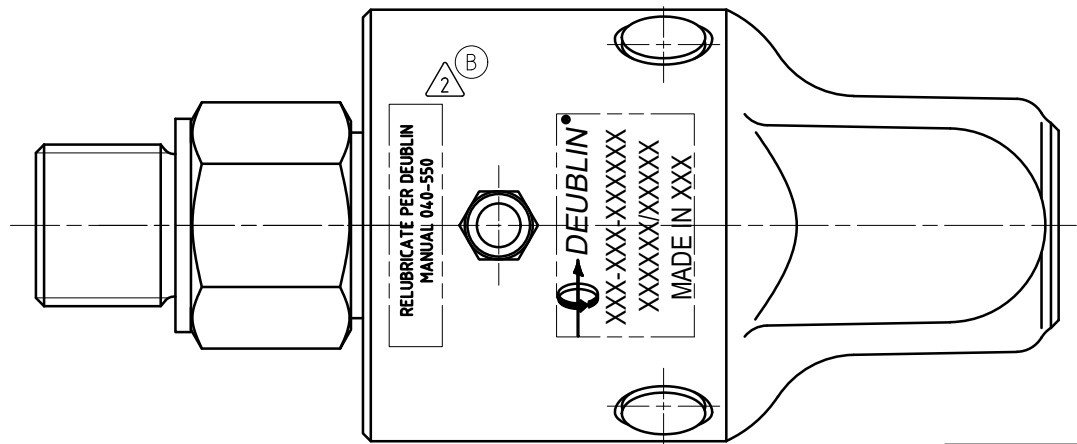
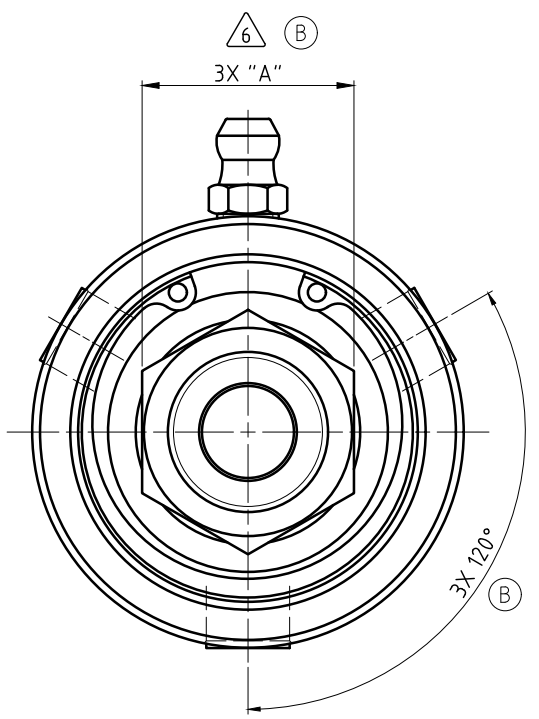
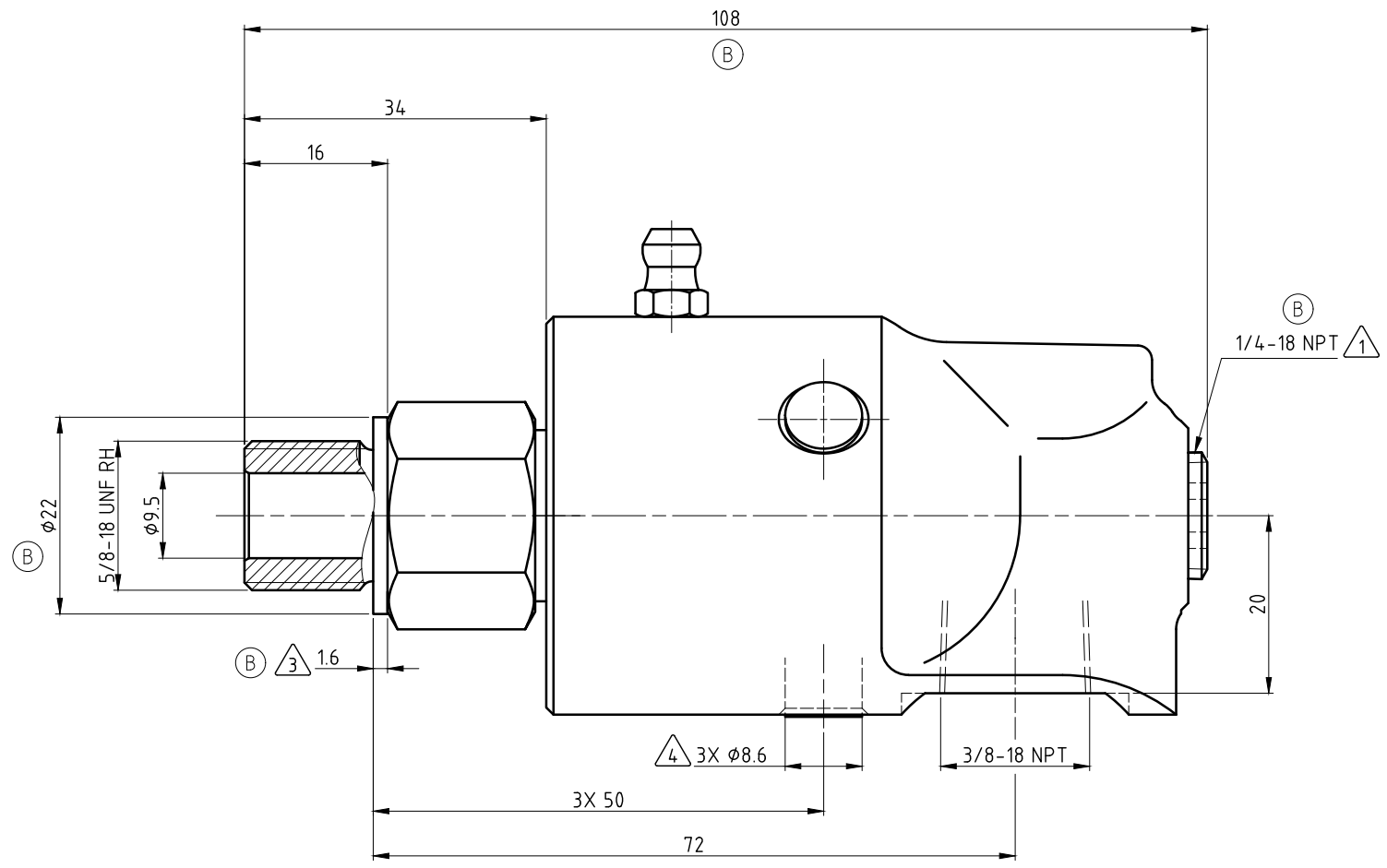
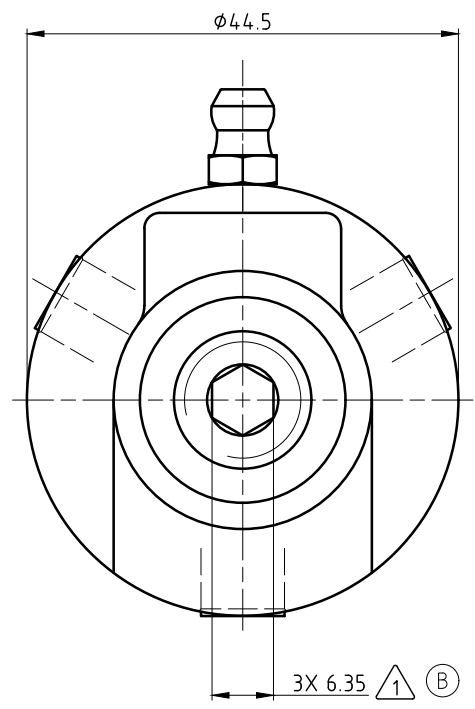


CONFIDENTIAL
 The reproduction, distribution and utilization of this document as well as the communication of its contents to others without express authorization is prohibited. Offenders will be held liable for the payment of damages. All rights reserved in the event of the grant of a patent, utility model or design.

NOTES:

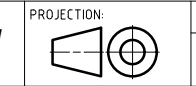
- ① - PLUG INSTALLED HAND TIGHT FROM FACTORY. IF PORT IS NOT UTILIZED, TIGHTEN BEFORE USE.
- ② - CONTACT DEUBLIN OR VISIT WWW.DEUBLIN.COM FOR INSTRUCTION MANUAL: 040-550
- ③ - GASKET THICKNESS.
- ④ - VENT PLUGS INSTALLED BY DEUBLIN
- ⑤ - REFERENCE ONLY: STAS #801-80001.

⑥ - DEPENDING ON COUNTRY OF ORIGIN, HEX STOCK MAY VARY AS NOTED. SEE TABLE FOR ACCEPTABLE WRENCH SIZES. ⑦



OPERATING DATA	
MEDIA	ARGON/NITROGEN DRY CHLORINE
PRESSURE MAX.	3.5 bar
SPEED MAX.	3500 min ⁻¹
TEMPERATURE MAX.	93 °C
DRY RUN (WITHOUT ANY MEDIA)	NO

⑥	HEX SIZES		WRENCHES	
	UNITS	"A"	22mm	7/8"
⑦	METRIC [mm]	22-0.33	✓	✓
	IMPERIAL [in]	22.23-0.013	✗	✓



PROJECTION:
 SCALE: 2:1
 MATERIAL: INTERFACE CONTROL DRAWING

DATE: 01/17/2013
 NAME: lgalindo

TITLE: DEUBLIN UNION

B	SEE CD	60034	1/21	MTS
A	SEE ECO	056200	04/20	MTS
	ISSUE/MODIFICATION	ECO	DATE	SIGN

UNLESS SPECIFICALLY TOLERANCED, ALL DIMENSIONS ARE CONSIDERED REFERENCE

NO. 57-222-683
 SHEET A2