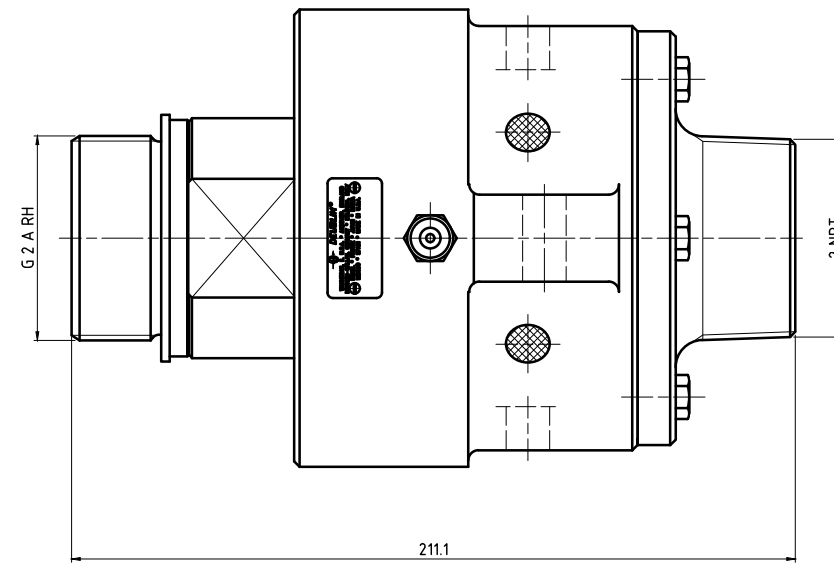
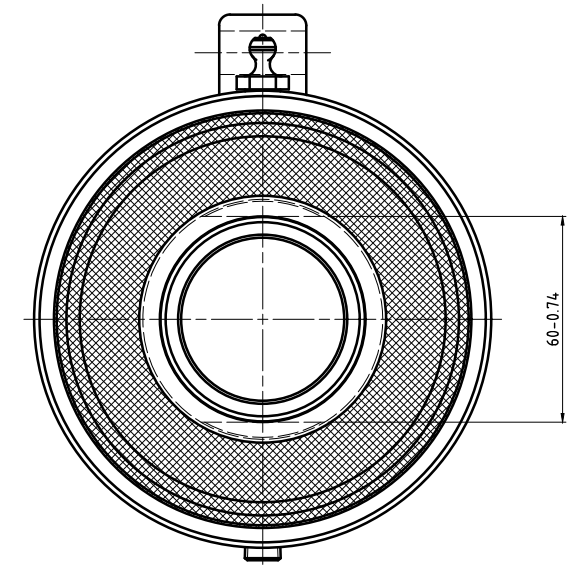
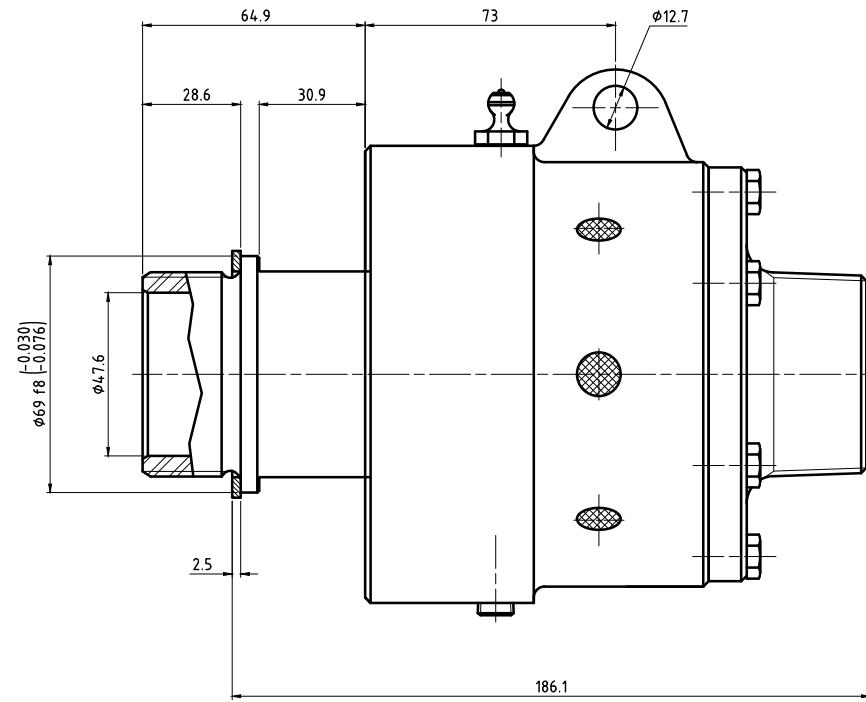
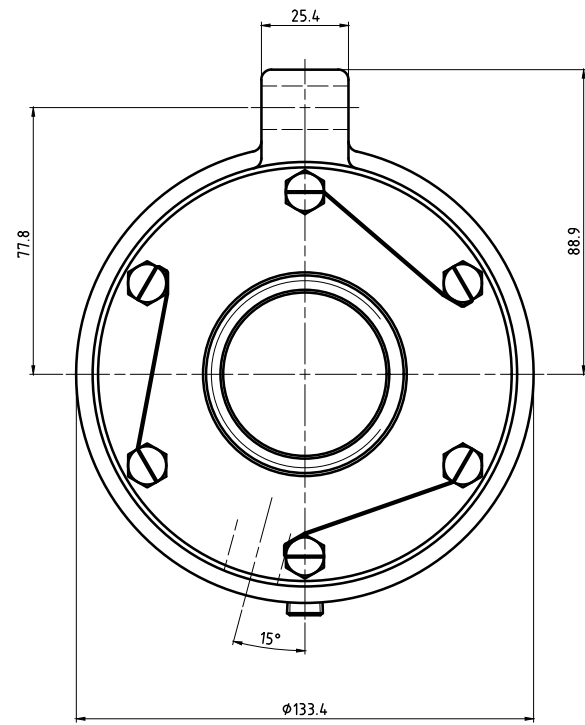


CONFIDENTIAL
 THIS DOCUMENT CONTAINS CONFIDENTIAL AND PROPRIETARY INFORMATION OF DEUBLIN COMPANY. COPYING, USE, REPRODUCTION, DISTRIBUTION, AND DISCLOSURE ARE STRICTLY PROHIBITED. SEE AGREEMENT TO THE TERMS AND CONDITIONS CONTAINED IN YOUR AGREEMENT WITH DEUBLIN COMPANY. ALL RIGHTS RESERVED.

Ø69	f8	-0.030	Ø69.000
Dimen.	Fit	-0.076	Ø68.924



OPERATING DATA	
MEDIA	WATER
PRESSURE MAX.	10 bar
TEMPERATURE MAX.	120 °C
SPEED MAX.	750 min ⁻¹
DRY RUN	NO
TORQUE	5.4 Nm

	PROJECTION:	SCALE: 1:1
	MATERIAL:	INTERFACE CONTROL DRAWING
DRN: 08/31/11	NAME: N. Reyna	TITLE: DEUBLIN UNION
ENGR: 08/31/11	T. Wilson	NO. 6200-044-137
APPD:		SHEET A1
UNLESS SPECIFICALLY TOLERANCED, ALL DIMENSIONS ARE CONSIDERED REFERENCE		
ISSUE/	MODIFICATION	ECD DATE SIGN