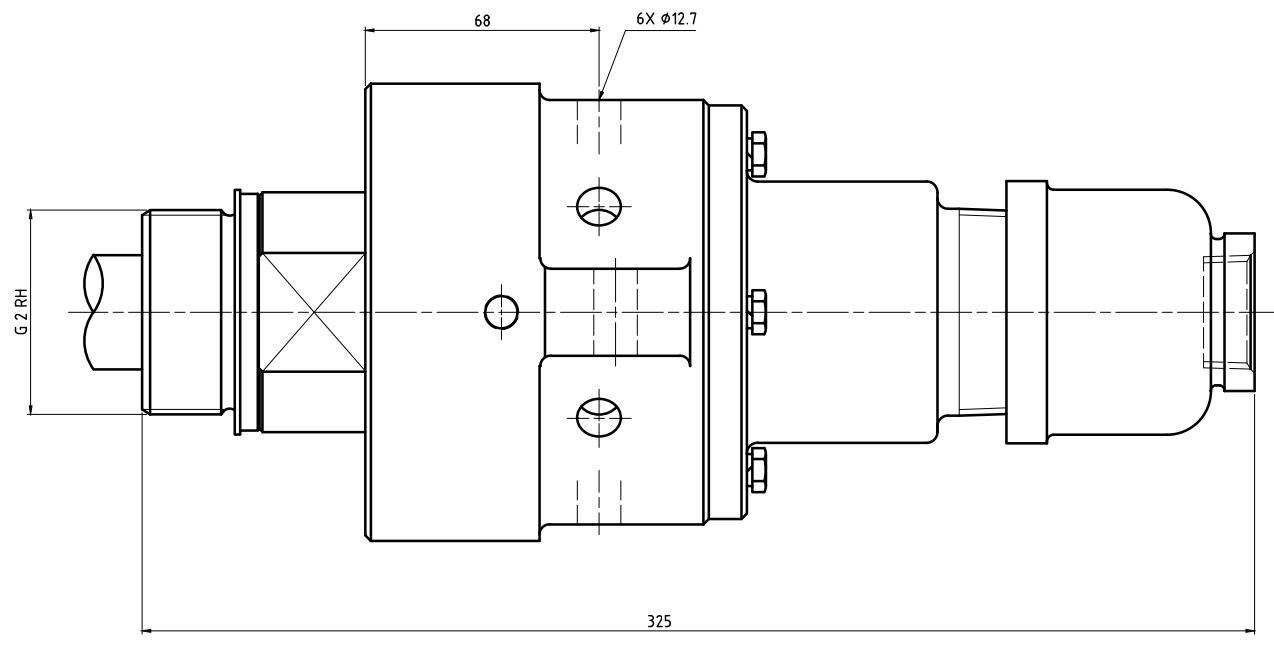
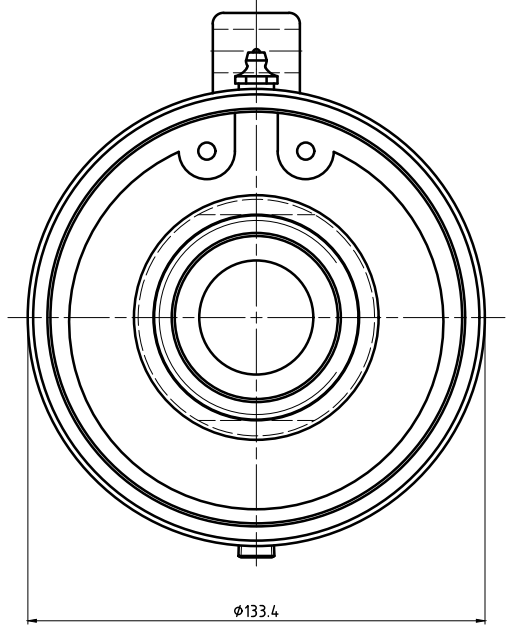
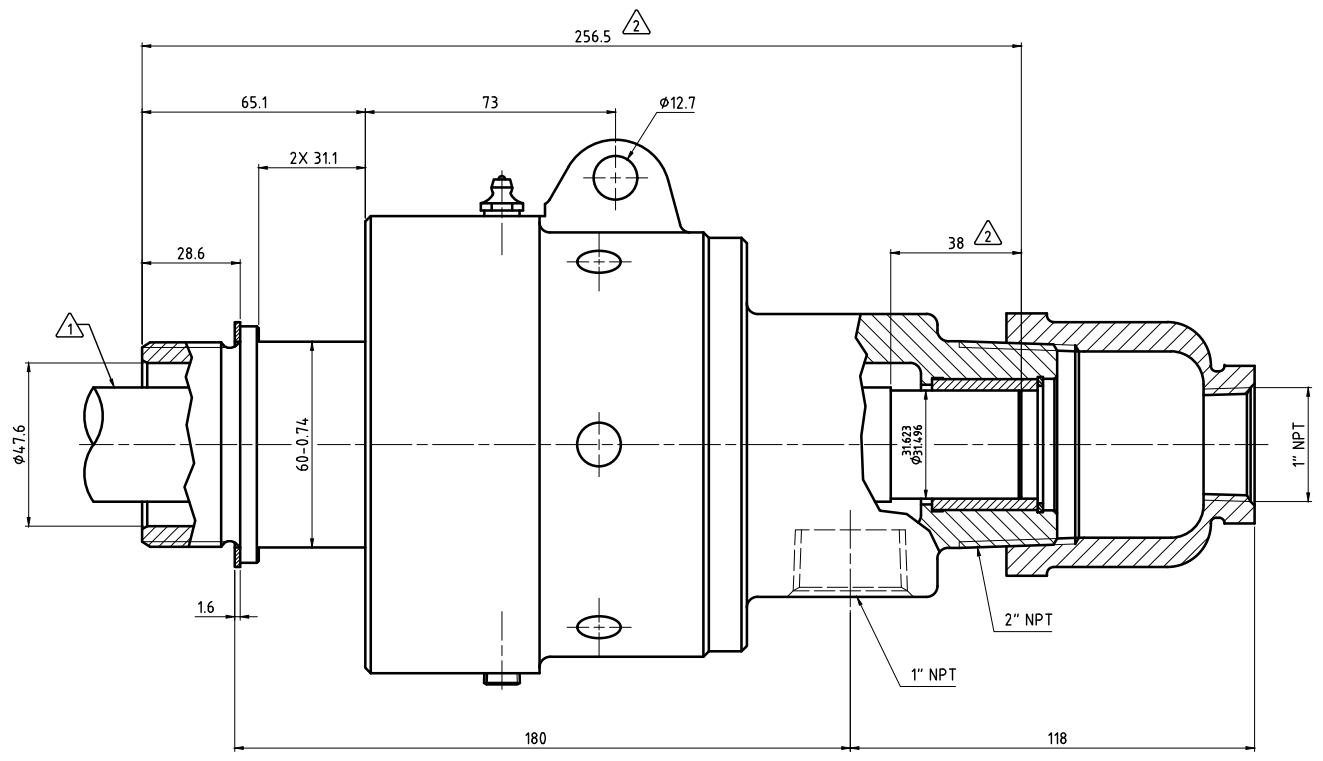
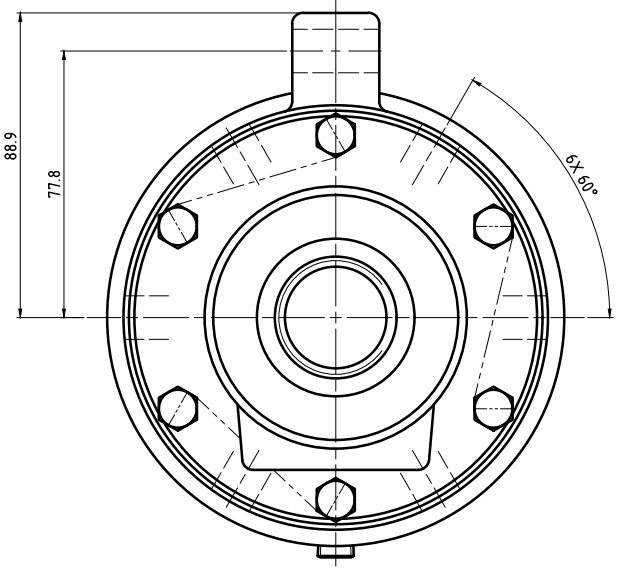


NOTES:
 △ - PIPE SUPPLIED BY CUSTOMER.
 △ - PIPE LENGTH.



OPERATING DATA	
MEDIA	WATER
MAX WATER PRESSURE	150 PSI 10 bar
MAX WATER TEMP.	200°F 93°C
MAX SPEED	750 RPM 750/min

	PROJECTION:	SCALE: 1:1
	MATERIAL:	INTERFACE CONTROL DRAWING
DRN: 10/22/13 N. Reyna	DATE:	TITLE:
ENGR: 10/22/13 T. Wilson	APPD:	DEUBLIN UNION
NO. 6200-083-137	ISSUE/	SHEET A2