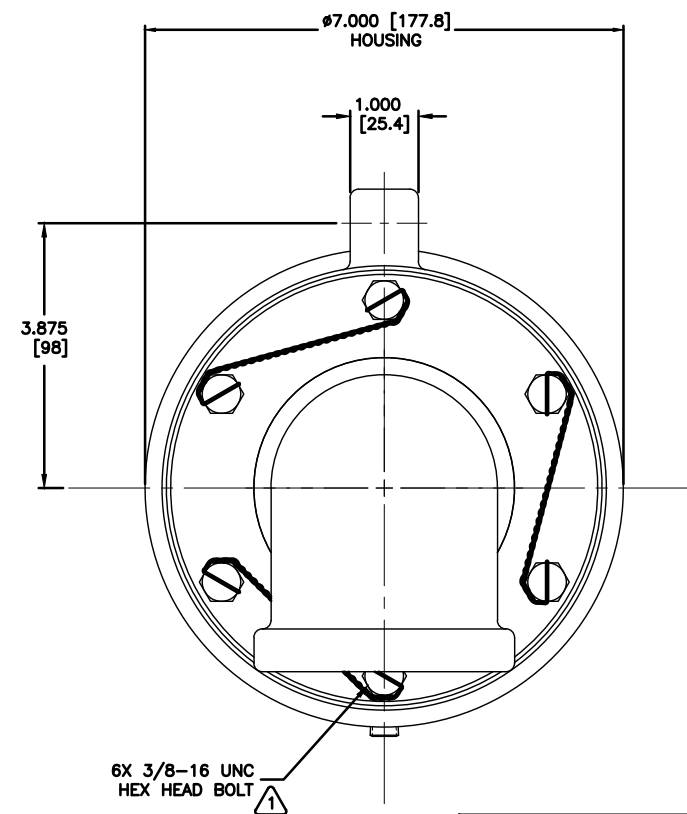
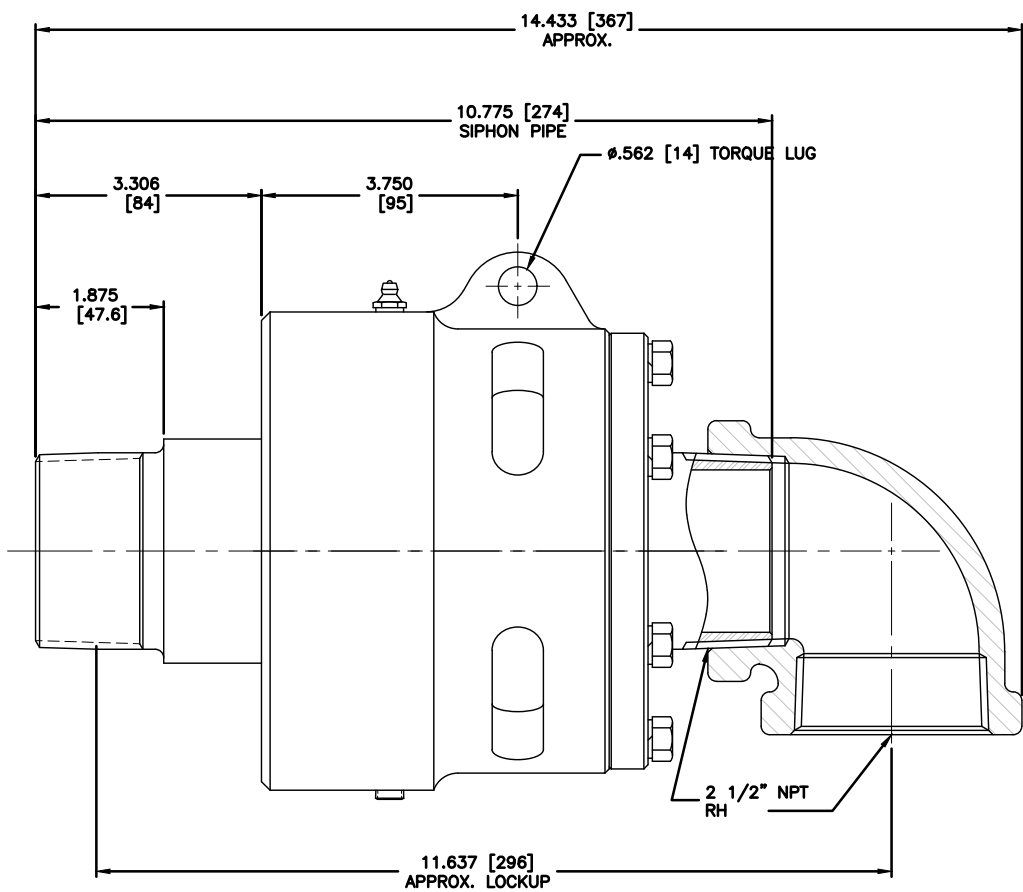
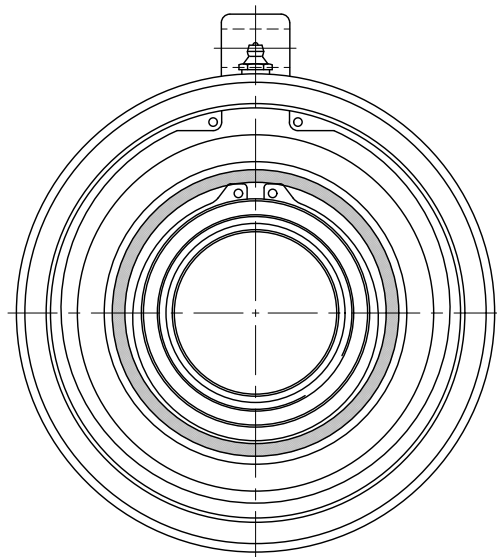
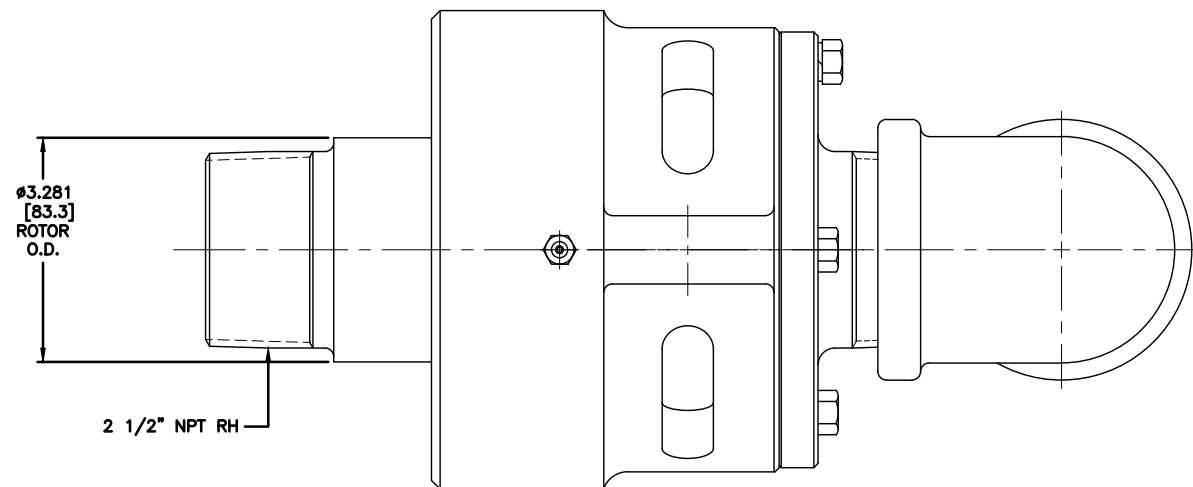


NOTES:

- 1 - TORQUE BOLTS TO 20-30 FT-LBS (27-41 Nm) AND SAFETY WIRE.
- 2 - WHEN ORDERING FROM DEUBLIN USE PART NUMBER 6250-001-115.

**OPERATING DATA:**  
 WATER SERVICE  
 150 P.S.I. (10 bar) MAX. PRESSURE  
 750 R.P.M. (750/MIN) MAX. SPEED  
 250°F (121°C) MAX. TEMPERATURE  
 90 G.P.M. (341 L/min) MAX FLOW



CONFIDENTIAL  
 THIS DOCUMENT CONTAINS PROPRIETARY INFORMATION AND IS NOT TO BE TRANSMITTED, REPRODUCED, USED OR DISCLOSED TO ANYONE WITHOUT THE WRITTEN PERMISSION OF THE DEUBLIN COMPANY.

EQUIPMENT REF:		SIZE: 3-4	REV: D
ASSY/TEST FEATURES REQUIRED:		DATE: 09/04/02	BY: LMG
REVISION		DATE	BY
A	REMOVED SIPHON PIPE (SHOWN IN ERROR)	04/05	LG
LET:	REVISION	EOO	DATE

UNTOLERANCED DIMENSIONS ±.010 DECIMALS AS SPECIFIED. DIMENSIONS IN [ ] ARE IN MILLIMETERS.

**DEUBLIN COMPANY**  
 WAUKEGAN, ILLINOIS, U.S.A.  
 INTERFACE CONTROL  
 DRAWING FOR UNION  
 6250-001-115  
 6250-001-115-IC