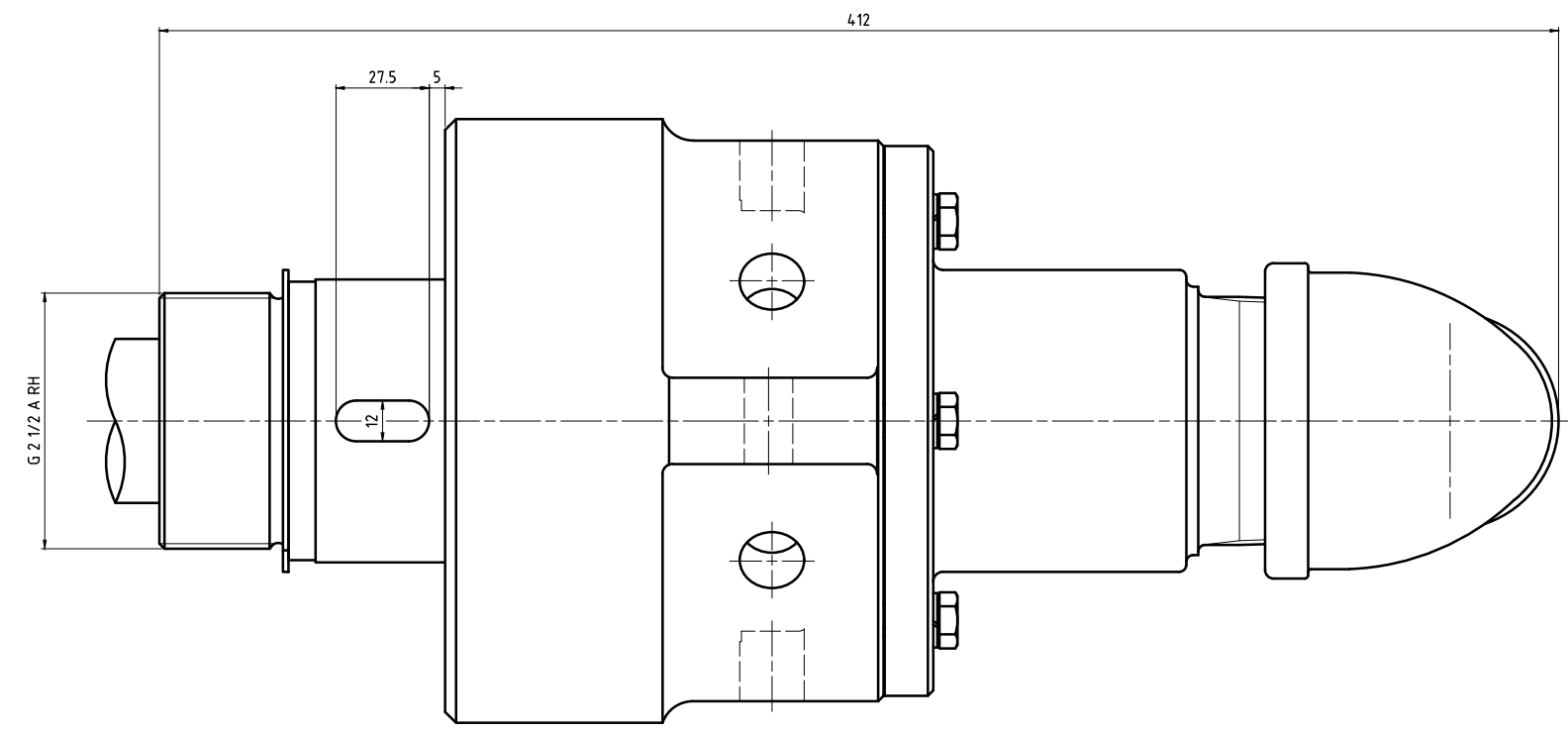
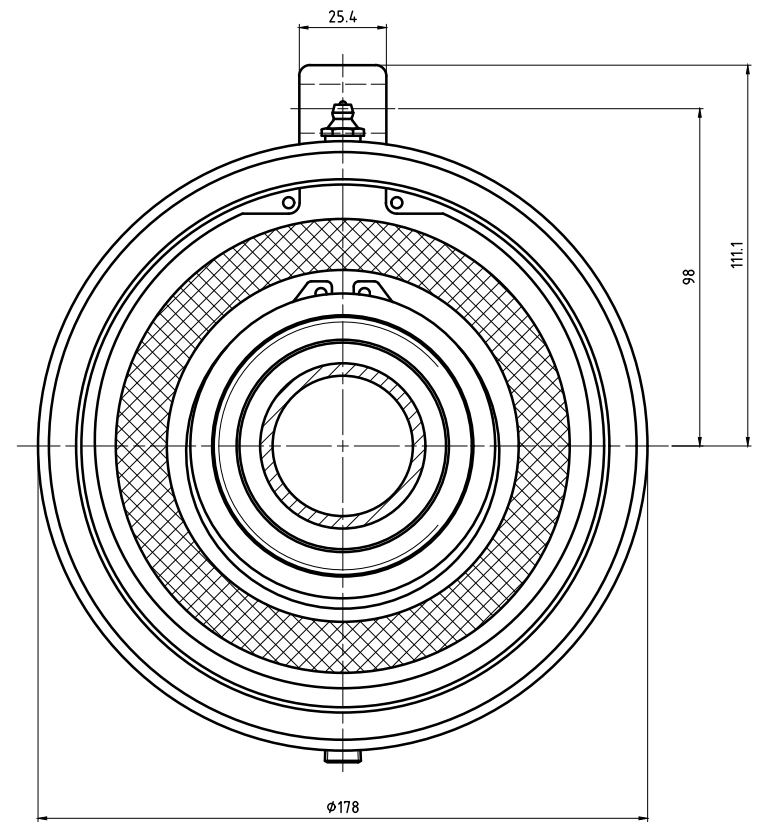
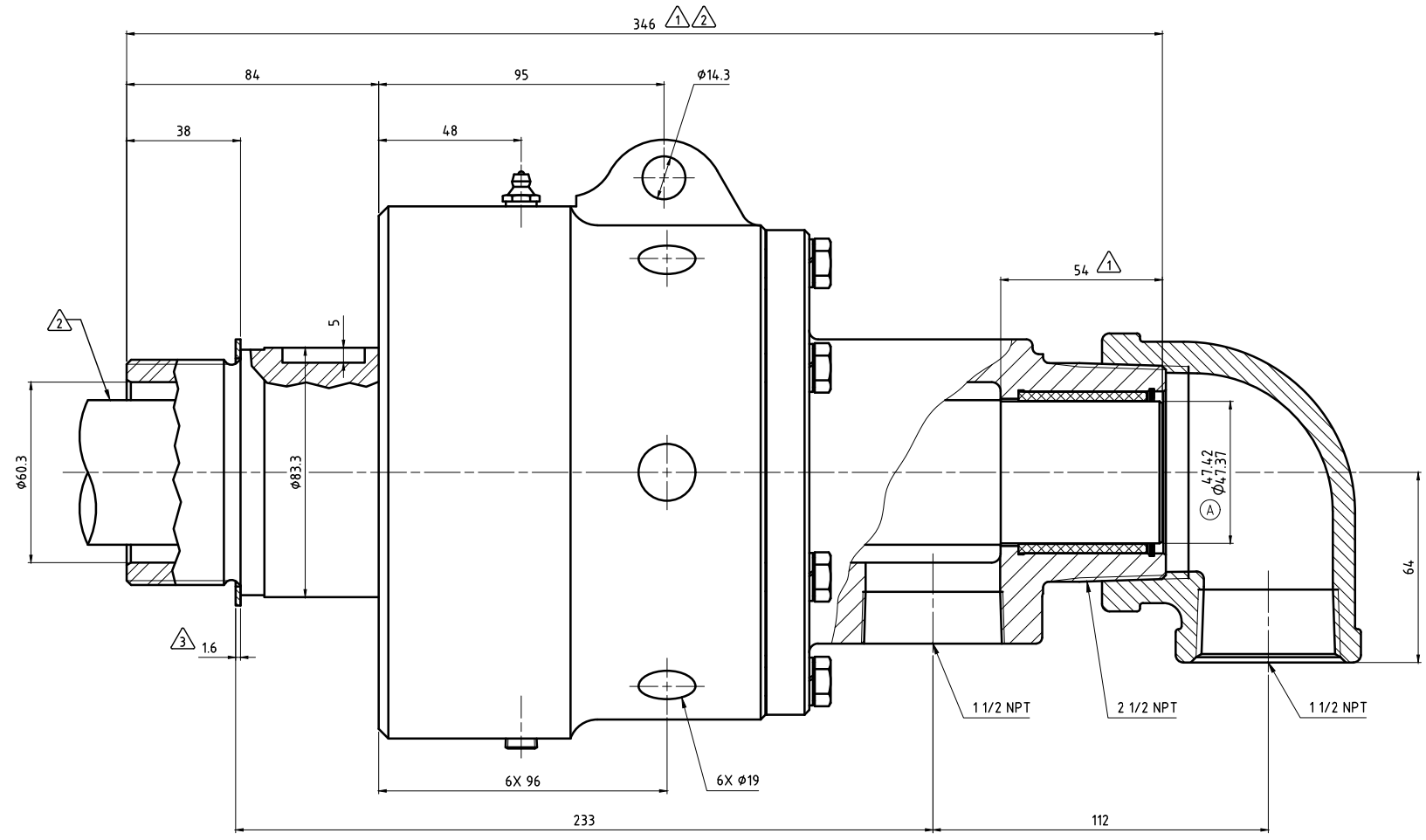


NOTES:
 (A) - PIPE LENGTH.
 (A) - PIPE SUPPLIED BY CUSTOMER.
 (A) - GASKET THICKNESS.



OPERATING DATA	
MEDIA	WATER
PRESSURE MAX.	10 bar
SPEED MAX.	750 min ⁻¹
TEMPERATURE MAX.	120 °C
DRY RUN (WITHOUT ANY MEDIA)	NO

	PROJECTION	SCALE: 1:1
	DATE	NAME
	DRN: 02/24/16	CD
ENGR: 02/24/16	C. Wolf	TITLE: DEUBLIN ROTATING UNION DEUBLIN Drehdurchführung
APPD.		NO. 6250-002-121
<small>UNLESS SPECIFICALLY TOLERANCED, ALL DIMENSIONS ARE CONSIDERED REFERENCE</small>		SHEET A1