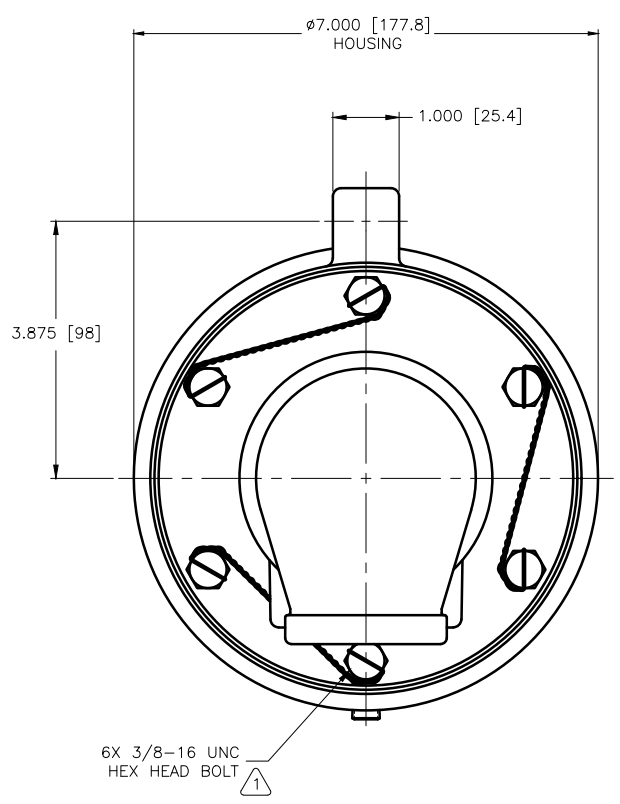
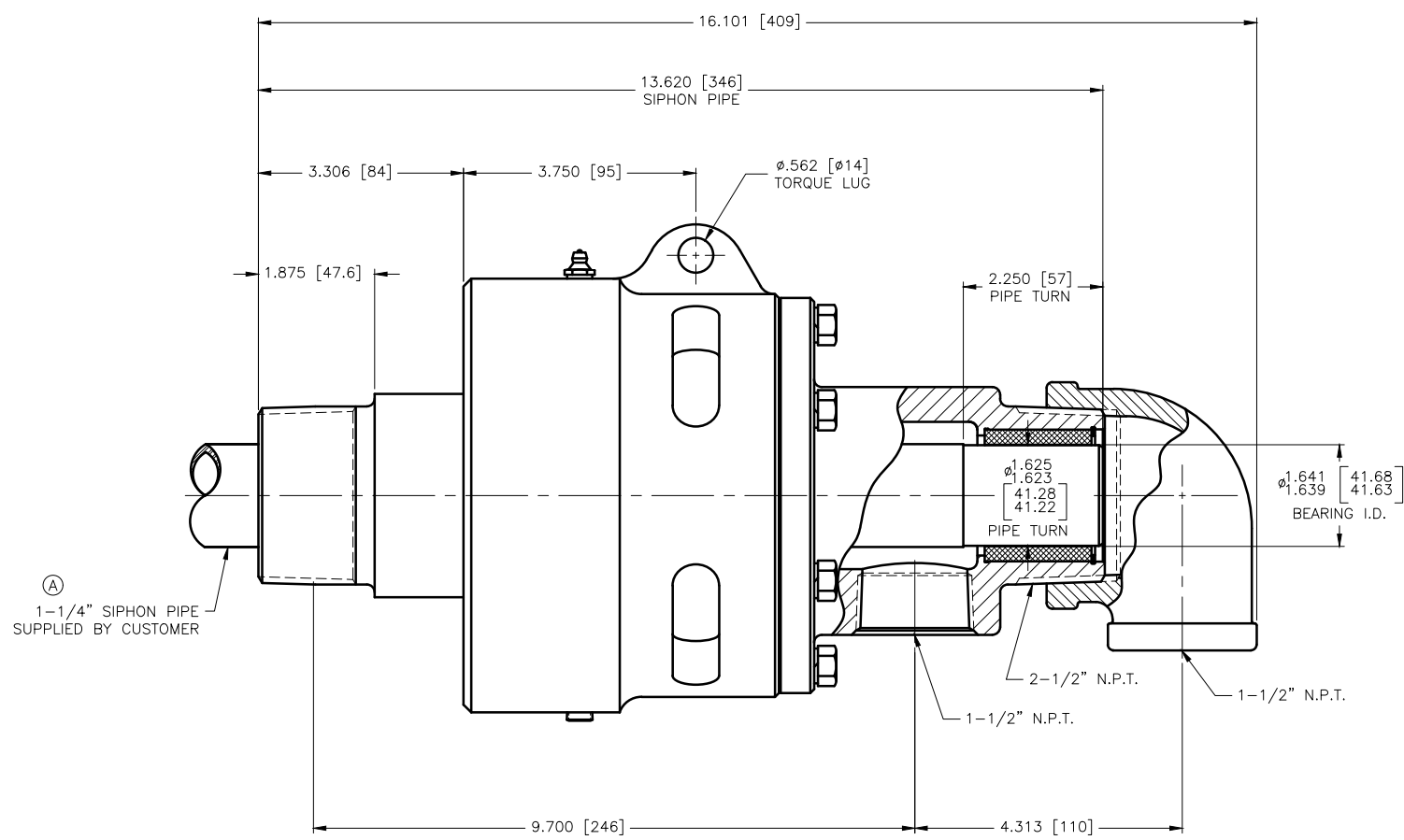
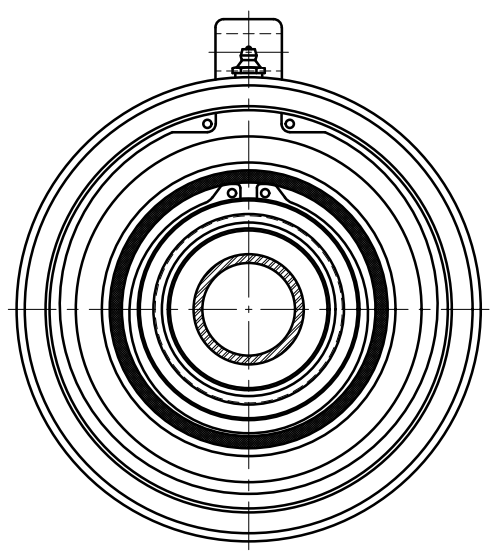
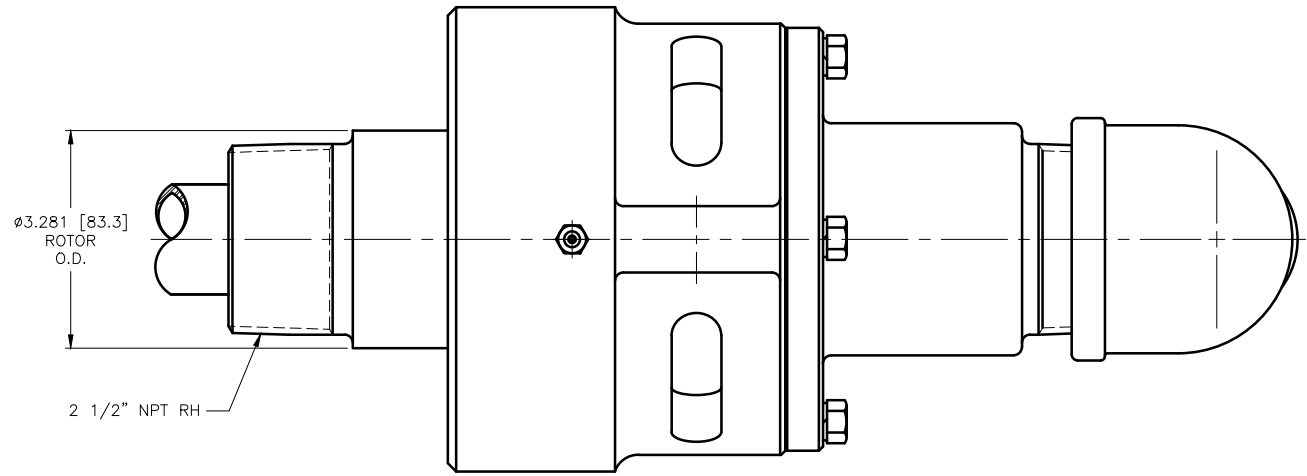


CONFIDENTIAL
 THIS DOCUMENT CONTAINS CONFIDENTIAL AND PROPRIETARY INFORMATION OF DEUBLIN COMPANY. COPYING, USE, TRANSMISSION, DISTRIBUTION, AND DISCLOSURE ARE SUBJECT TO THE TERMS AND CONDITIONS CONTAINED IN YOUR AGREEMENT WITH DEUBLIN COMPANY. ALL RIGHTS RESERVED.

NOTES:
 ⚠ - TORQUE BOLTS TO 20-30 FT-LBS (27-41 Nm) AND SAFETY WIRE.

OPERATING DATA		
MEDIA	WATER	
MAX WATER PRESSURE	150 PSI	10 bar
MAX WATER TEMP.	250°F	121°C
MAX SPEED	750 RPM	750/min



Ⓐ 1-1/4" SIPHON PIPE SUPPLIED BY CUSTOMER

SCALE: 1:1.3333	UNLESS SPECIFICALLY TOLERANCED, ALL DIMENSIONS ARE REFERENCE	DEUBLIN COMPANY WAUKEGAN, ILLINOIS, U.S.A.
DRI LMG 02/04/04 ENGR APPD PART NO. 6250-004-115	DIMENSIONS IN [] ARE IN MILLIMETERS.	
A REVISED DIM: 1-1/4" WAS 1-1/2" LET. REVISION	CUSTOMER 01/11 NR 01/11 NR ECO DATE SIGN	TITLE: INTERFACE CONTROL DRAWING OF DEUBLIN UNION 6250-004-115 DWG NO. 6250-004-115 C.A.D. DRAWING