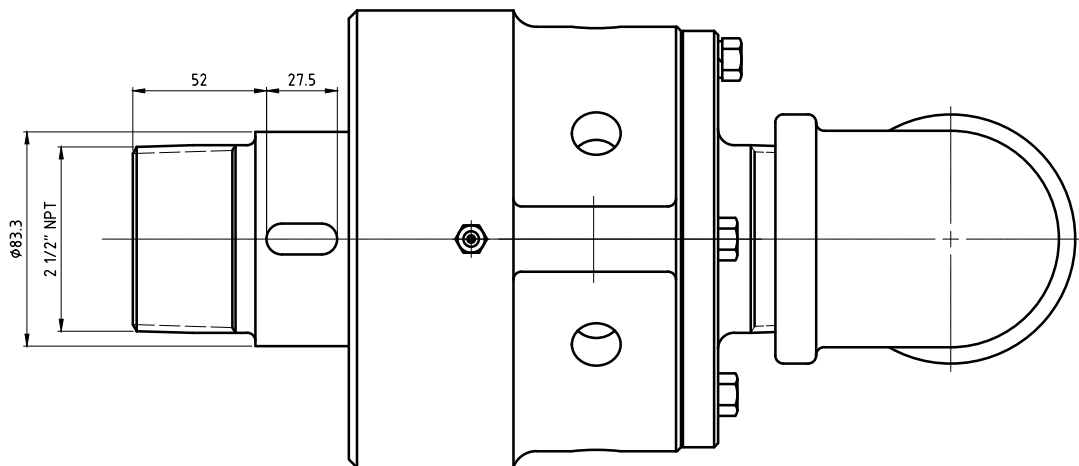
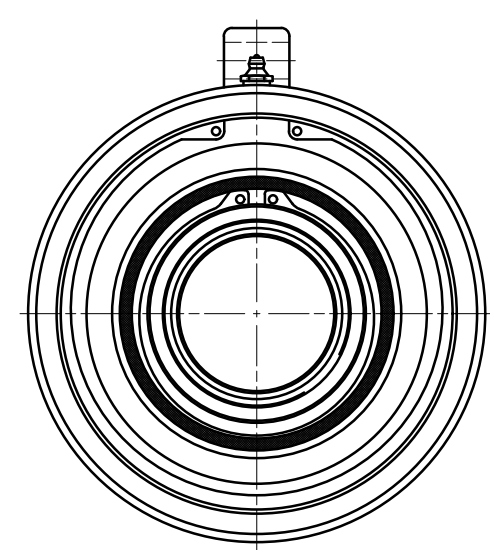
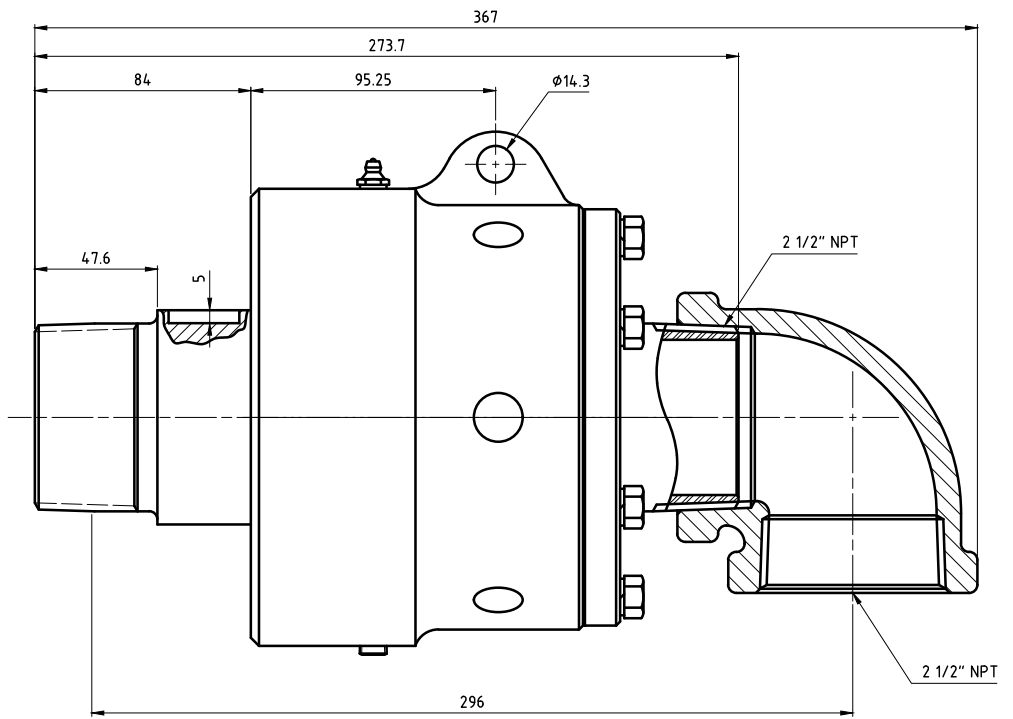
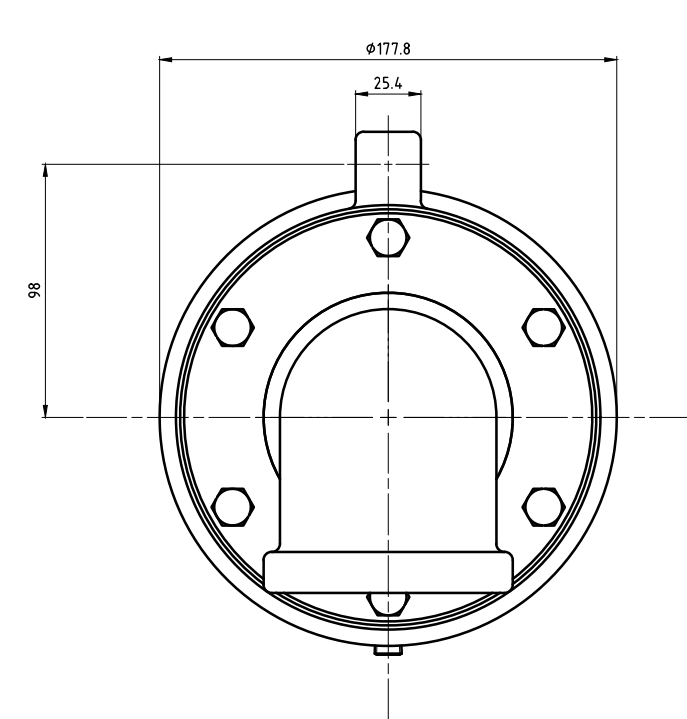


CONFIDENTIAL
 THIS DOCUMENT CONTAINS CONFIDENTIAL AND PROPRIETARY INFORMATION OF DEUBLIN COMPANY. COPYING, REPRODUCTION, DISTRIBUTION, AND DISCLOSURE ARE SUBJECT TO THE TERMS AND CONDITIONS CONTAINED IN YOUR AGREEMENT WITH DEUBLIN COMPANY. ALL RIGHTS RESERVED.



OPERATING DATA:
 WATER SERVICE
 150 P.S.I. (10 bar) MAX. PRESSURE
 750 R.P.M. (750/MIN) MAX. SPEED
 200°F (93°C) MAX. TEMPERATURE
 240 G.P.M. (909 L/min) MAX FLOW

		PROJECTION:	SCALE: 3:4
DATE: 04/08/2016	NAME: MOORERA	TITLE: INTERFACE CONTROL DRAWING FOR 6250-018-115 UNION	MATERIAL:
DRN: ENGR: APPD:		NO. 6250-018-115-IC	SHEET A1
UNLESS SPECIFICALLY TOLERANCED, ALL DIMENSIONS ARE CONSIDERED REFERENCE			