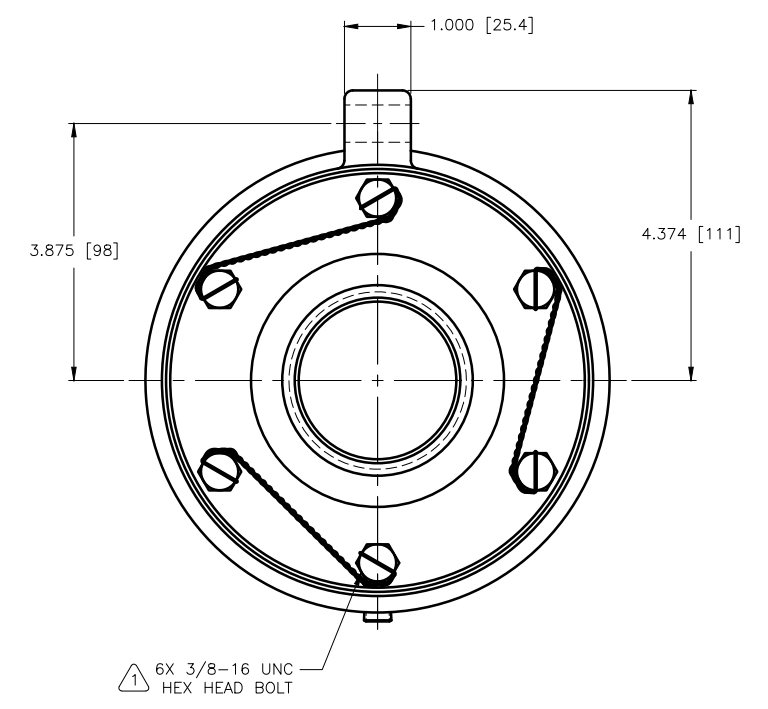
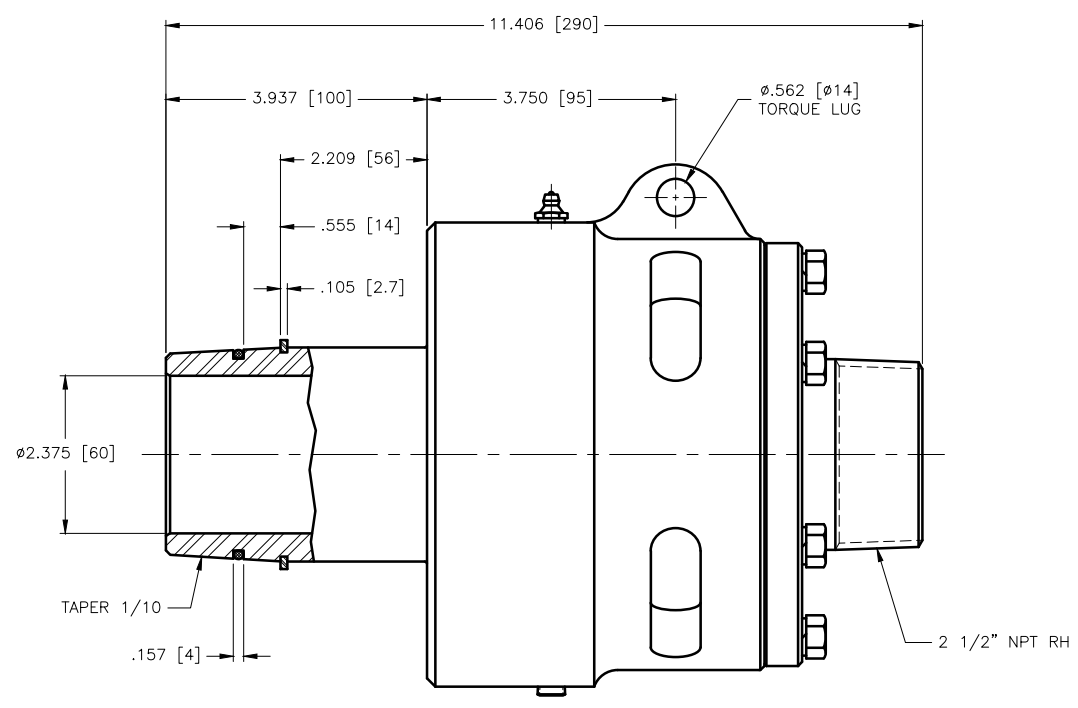
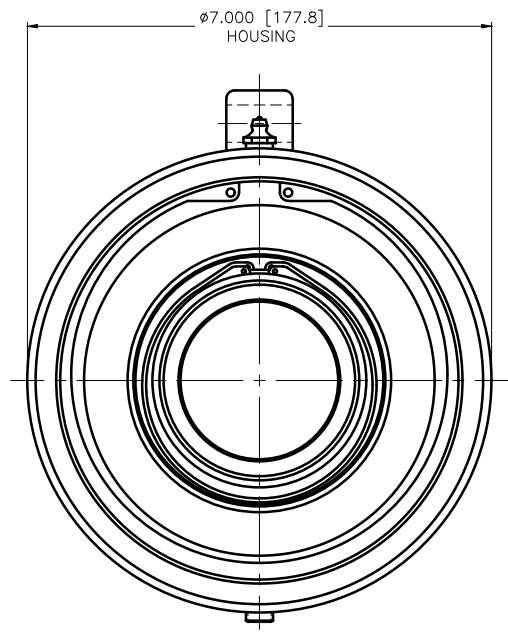
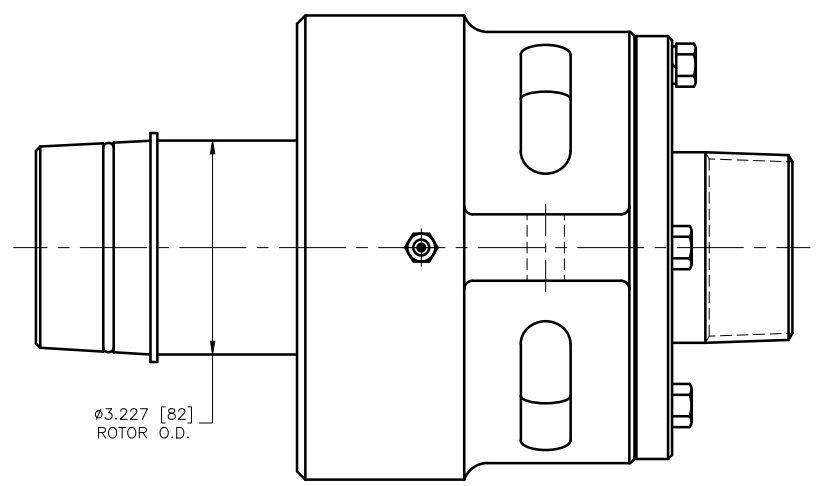


CONFIDENTIAL  
 THIS DOCUMENT CONTAINS CONFIDENTIAL AND PROPRIETARY INFORMATION OF DEUBLIN COMPANY. COPYING, USE, TRANSMISSION, DISTRIBUTION, AND DISCLOSURE ARE SUBJECT TO THE TERMS AND CONDITIONS CONTAINED IN YOUR AGREEMENT WITH DEUBLIN COMPANY. ALL RIGHTS RESERVED.

NOTES:  
 ⚠ - TORQUE BOLTS TO 20-30 FT-LBS (27-41 Nm) AND SAFETY WIRE.  
 2 - WHEN ORDERING FROM DEUBLIN USE PART NUMBER: 6250-037-510.

**OPERATING DATA:**  
 WATER SERVICE  
 210 P.S.I. (14.5 bar) MAX. PRESSURE  
 1800 R.P.M. (1800 MIN.) MAX. SPEED  
 105°F (40°C) MAX. TEMPERATURE



SCALE	1:1.333	DWG SIZE		UNLESS SPECIFICALLY TOLERANCED, ALL DIMENSIONS ARE REFERENCE	DEUBLIN COMPANY WAUKEGAN, ILLINOIS, U.S.A. TITLE: INTERFACE CONTROL DRAWING OF DEUBLIN UNION 6250-037-510 DWG NO. 6250-037-510 <small>C.A.D. DRAWING</small>
DRN	NR	02/08/08			
ENGR	SS	02/08/08			
APPD	SS	02/08/08			
PART NO.	6250-037-510			DIMENSIONS IN [ ] ARE IN MILLIMETERS.	
CUSTOMER					
LET.	REVISION	ECO	DATE	SIGN	