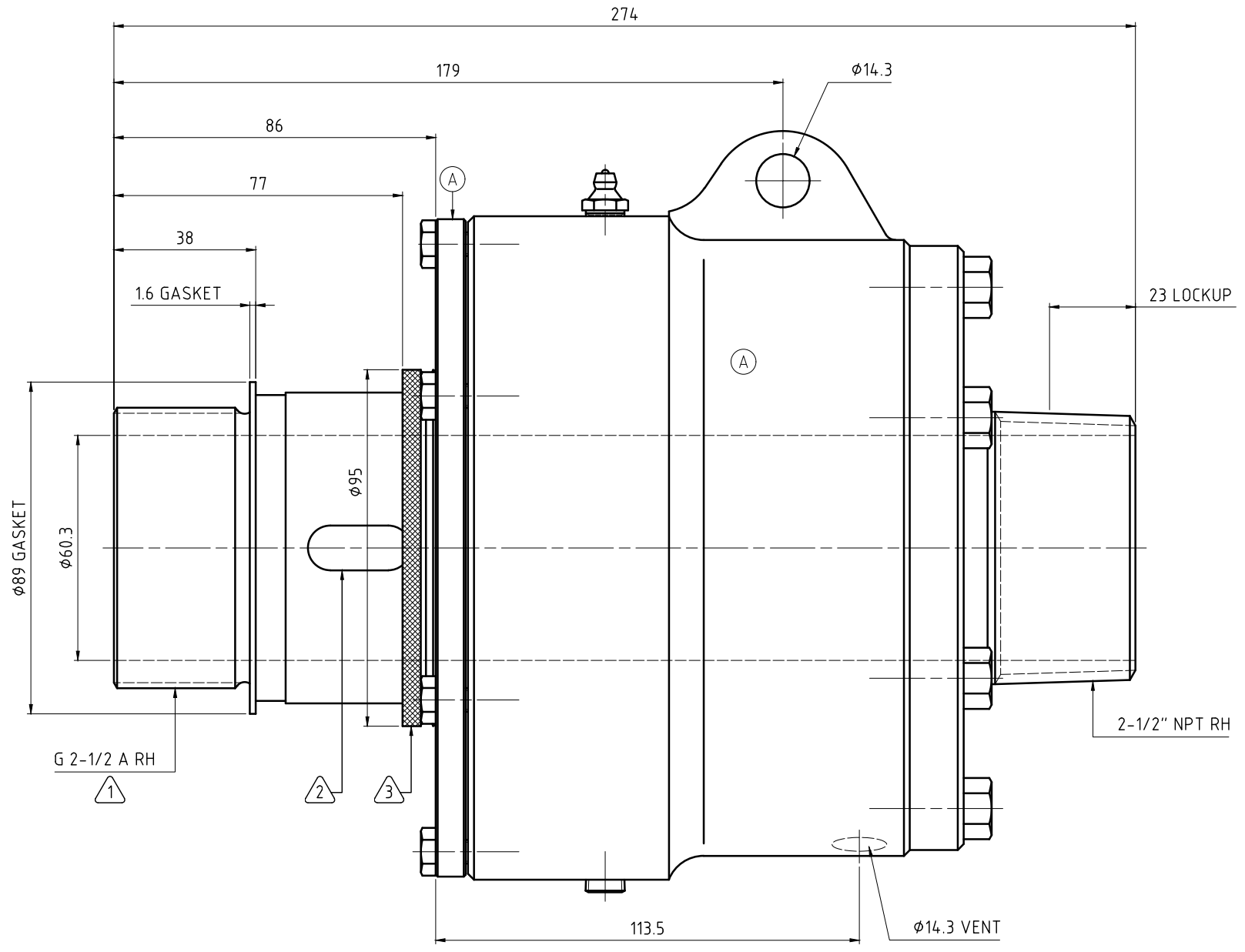
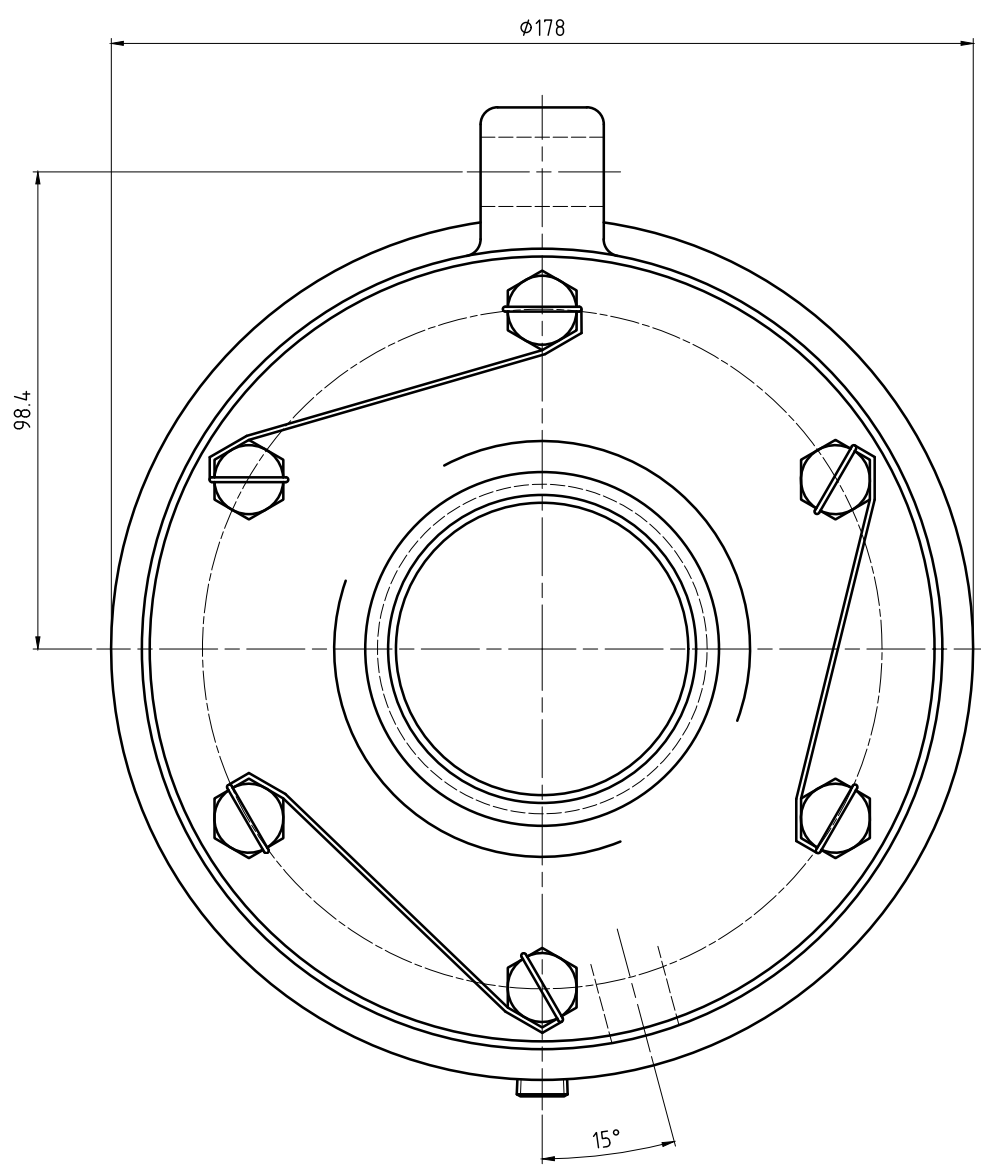


CONFIDENTIAL
 THIS DOCUMENT CONTAINS CONFIDENTIAL AND PROPRIETARY
 INFORMATION OF DEUBLIN COMPANY. COPYING, USE,
 TRANSMISSION, DISTRIBUTION, AND DISCLOSURE ARE SUBJECT
 TO THE TERMS AND CONDITIONS CONTAINED IN YOUR
 AGREEMENT WITH DEUBLIN COMPANY. ALL RIGHTS RESERVED.

NOTES:

- ① - DESIGNATION FOR BRITISH STANDARD PIPE (BSP)
- ② - SPANNER WRENCH SLOT.
- ③ - SHAFT SEAL.



OPERATING DATA:
 WATER SERVICE
 10 bar MAX. PRESSURE
 750 RPM MAX. SPEED
 121°C MAX. MEDIA TEMPERATURE

DEUBLIN COMPANY WAUKEGAN, ILLINOIS, U.S.A.		PROJECTION: 	SCALE: 1:1 MATERIAL:				
		DATE: 10/22/09 NAME: GA	TITLE: INTERFACE CONTROL DRAWING UNION 6250-066-121				
		ENGR. 10/22/09 NAME: GA					
A	REDESIGNED UNION	008914	2/10	GA	APPD.		
	REMOVED SILASTIC						
	ADDED END CAP						
ISSUE	MODIFICATION	ECO	DATE	SIGN	UNLESS SPECIFICALLY TOLERANCED, ALL DIMENSIONS ARE CONSIDERED REFERENCE		NO. 6250-066-121 SHEET A2