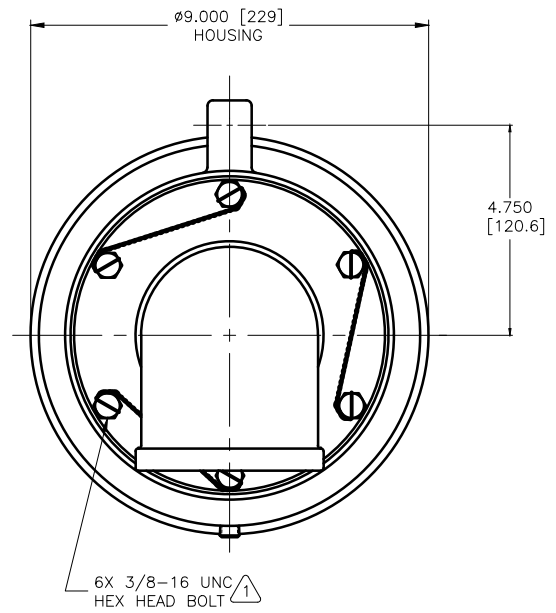
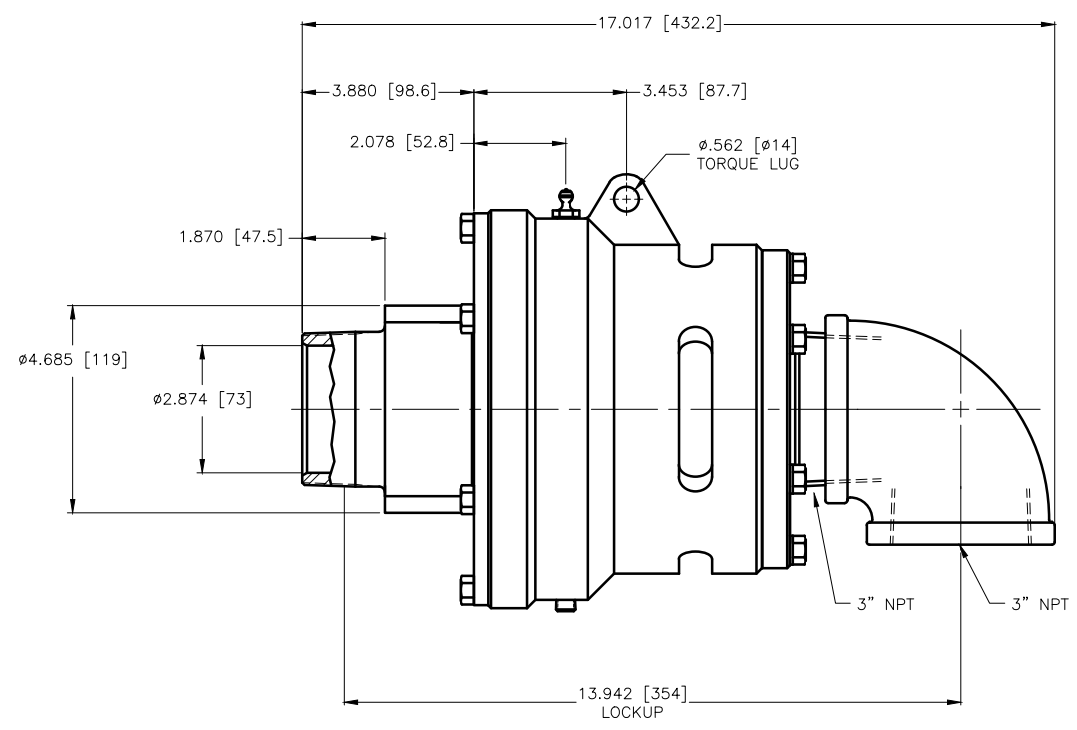
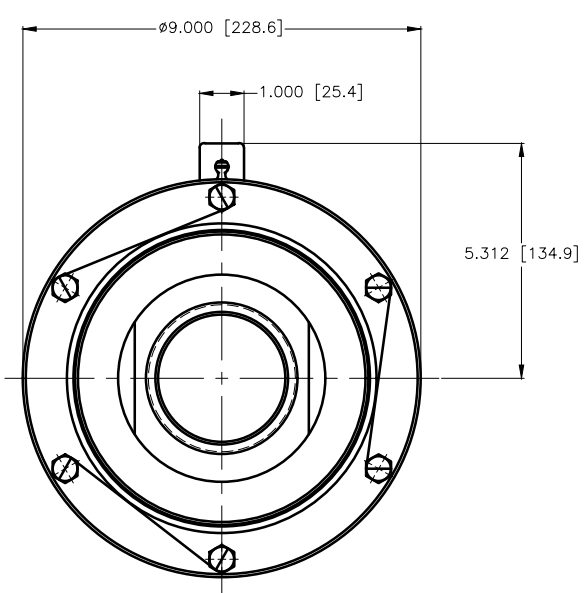
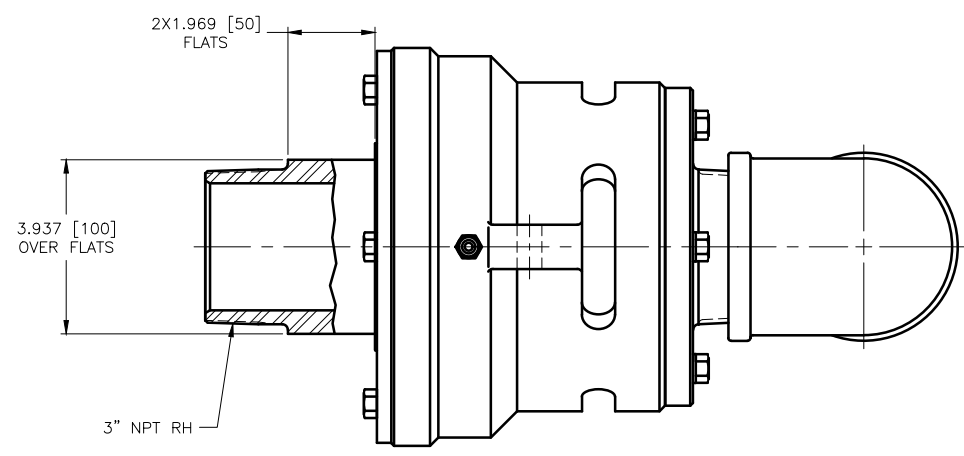


CONFIDENTIAL
 THIS DOCUMENT CONTAINS CONFIDENTIAL AND PROPRIETARY INFORMATION OF DEUBLIN COMPANY. COPYING, USE, TRANSMISSION, DISTRIBUTION, AND DISCLOSURE ARE SUBJECT TO THE TERMS AND CONDITIONS CONTAINED IN YOUR AGREEMENT WITH DEUBLIN COMPANY. ALL RIGHTS RESERVED.

NOTES:
 1 - TORQUE BOLTS TO 20-30 FT-LBS (27-41 Nm) AND SAFETY WIRE

OPERATING CONDITIONS
 MEDIA: WATER
 SPEED: 750 R.P.M. MAX.
 TEMPERATURE: 250°F MAX.
 PRESSURE: 150 P.S.I. MAX.
 FLOW RATE: 400 G.P.M. MAX.

(A)



SCALE 6 = 1		UNLESS SPECIFICALLY TOLERANCED, ALL DIMENSIONS ARE REFERENCE		DEUBLIN COMPANY WAUKEGAN, ILLINOIS, U.S.A. TITLE: INTERFACE CONTROL DRAWING OF DEUBLIN UNION 6300-001-157 DWG NO. 6300-001-157
DRN	LMG	09/04/02	DIMENSIONS IN [] ARE IN MILLIMETERS.	
ENGR				
APPD				
PART NO.				
CUSTOMER				
A	400 G.P.M. WAS	115 G.P.M.	007734	10/09 NR
LET.	REVISION	ECO	DATE	SIGN