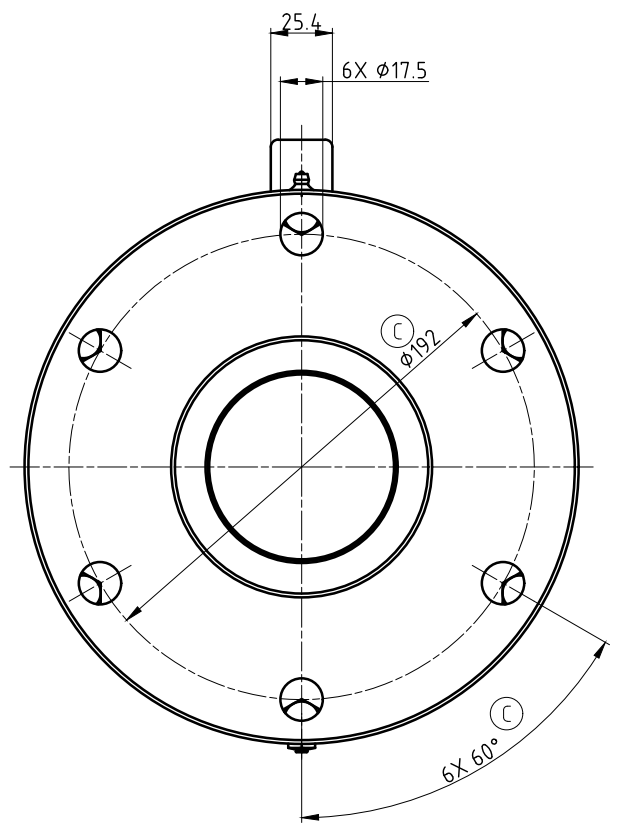
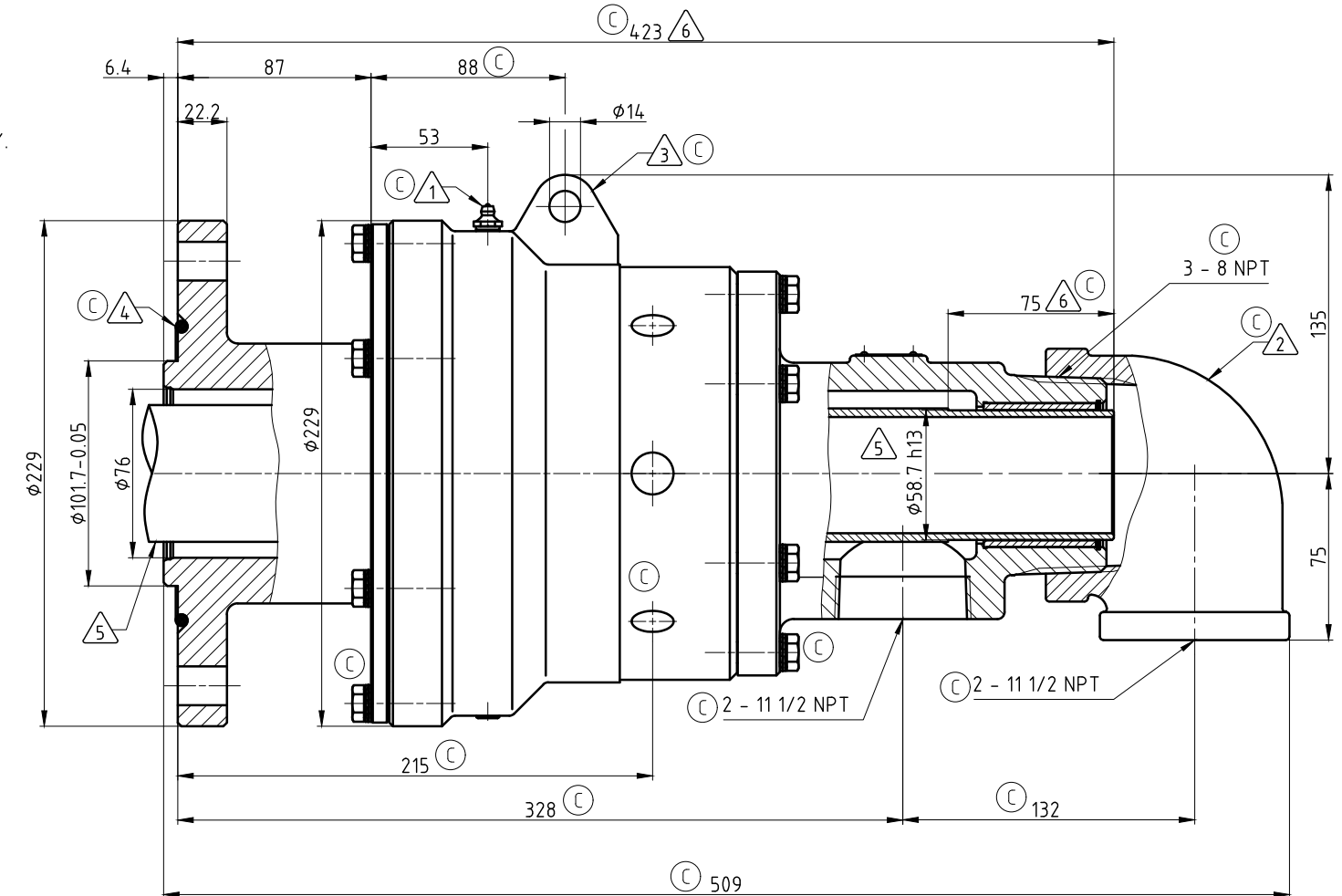
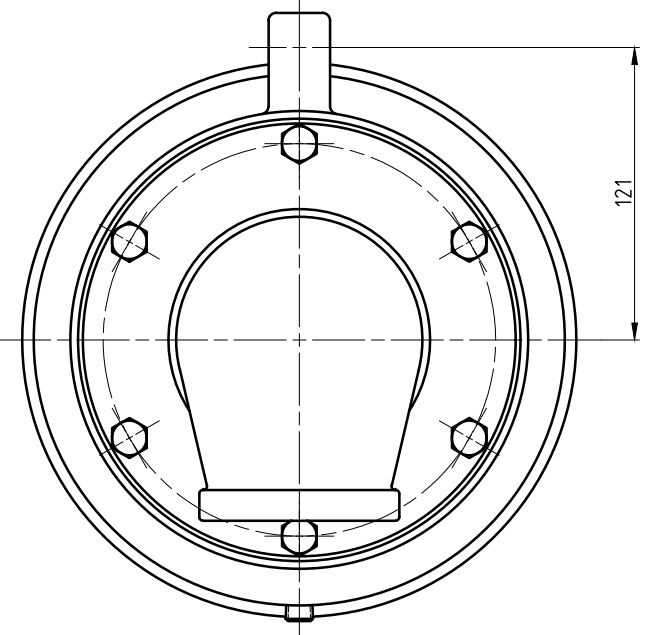


CONFIDENTIAL  
 THIS DOCUMENT CONTAINS CONFIDENTIAL AND PROPRIETARY  
 INFORMATION OF DEUBLIN COMPANY. COPYING, USE,  
 TRANSMISSION, DISTRIBUTION, AND DISCLOSURE ARE SUBJECT  
 TO THE TERMS AND CONDITIONS CONTAINED IN YOUR  
 AGREEMENT WITH DEUBLIN COMPANY. ALL RIGHTS RESERVED.

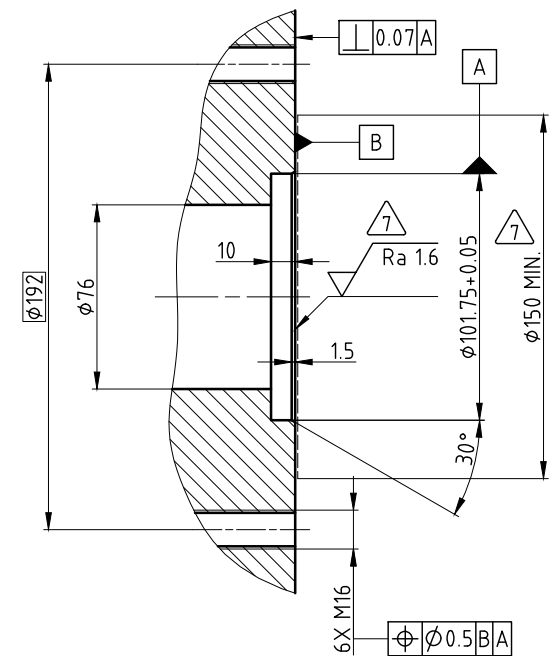
φ58.7 h13 0.000 58.700  
 Dimen. Fit -0.460 58.240

NOTES:

- (C) 1 - CONTACT DEUBLIN OR VISIT WWW.DEUBLIN.COM FOR INSTRUCTION MANUAL: 040-561
- (C) 2 - FITTING TO BE ASSEMBLED HAND-TIGHT.
- (C) 3 - TORQUE LUG PROVIDED FOR ANTI-ROTATION. DO NOT RESTRICT MOVEMENT OF UNION.
- (C) 4 - O-RING SIZE: 2-353  
 SUGGESTED O-RING MATERIAL: FKM
- (C) 5 - PIPE SUPPLIED BY CUSTOMER. PIPE SIZE: 2"
- (C) 6 - PIPE LENGTH.
- (C) 7 - SURFACE FINISH APPLIES WITHIN INDICATED AREA ONLY.



CUSTOMER INTERFACE (C)



OPERATING DATA	
MEDIA	WATER
PRESSURE MAX.	10 bar
SPEED MAX.	750 min <sup>-1</sup>
TEMPERATURE MAX.	93 °C
DRY RUN (WITHOUT ANY MEDIA)	NO
RECOMMENDED FILTRATION	60 micron
FLOW MAX	681 L/min
TORQUE	10.9 Nm

**DEUBLIN**  
 Engineered for Performance

DRN.	20.07.01	Ch. Wolf
ENGR.	20.07.01	H.J. Huhn
APPD.		

PROJECTION:	SCALE: 1:2	TITLE: DEUBLIN ROTATING UNION DEUBLIN Drehdurchführung
MATERIAL:	INTERFACE CONTROL DRAWING	
NO. 6300-030-103		SHEET A2

ISSUE	MODIFICATION	ECO	DATE	SIGN
B	Was 6300-030-103-00	059519	05/20	RM
a	seal cartridge removed	070800	08.03.07	Schmid

UNLESS SPECIFICALLY TOLERANCED, ALL DIMENSIONS ARE CONSIDERED REFERENCE