

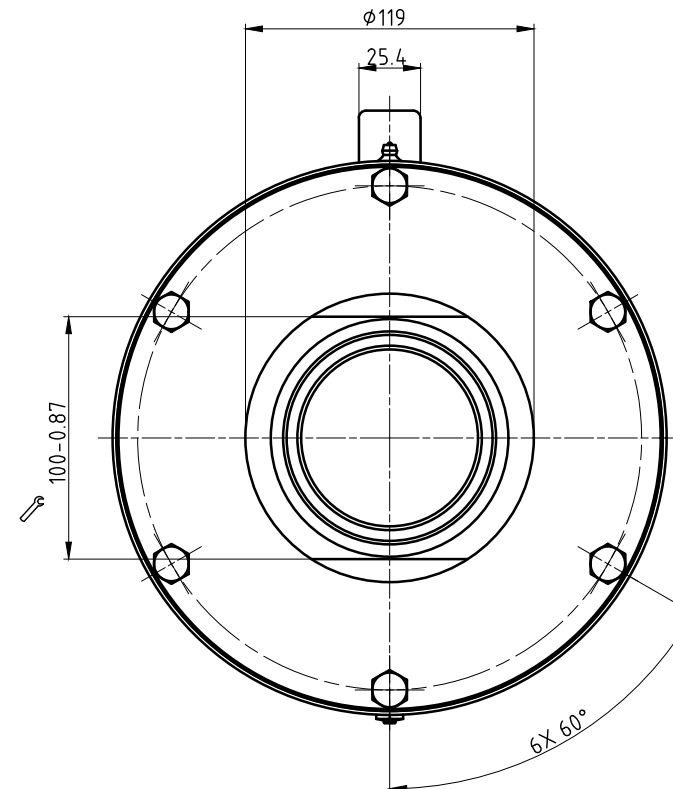
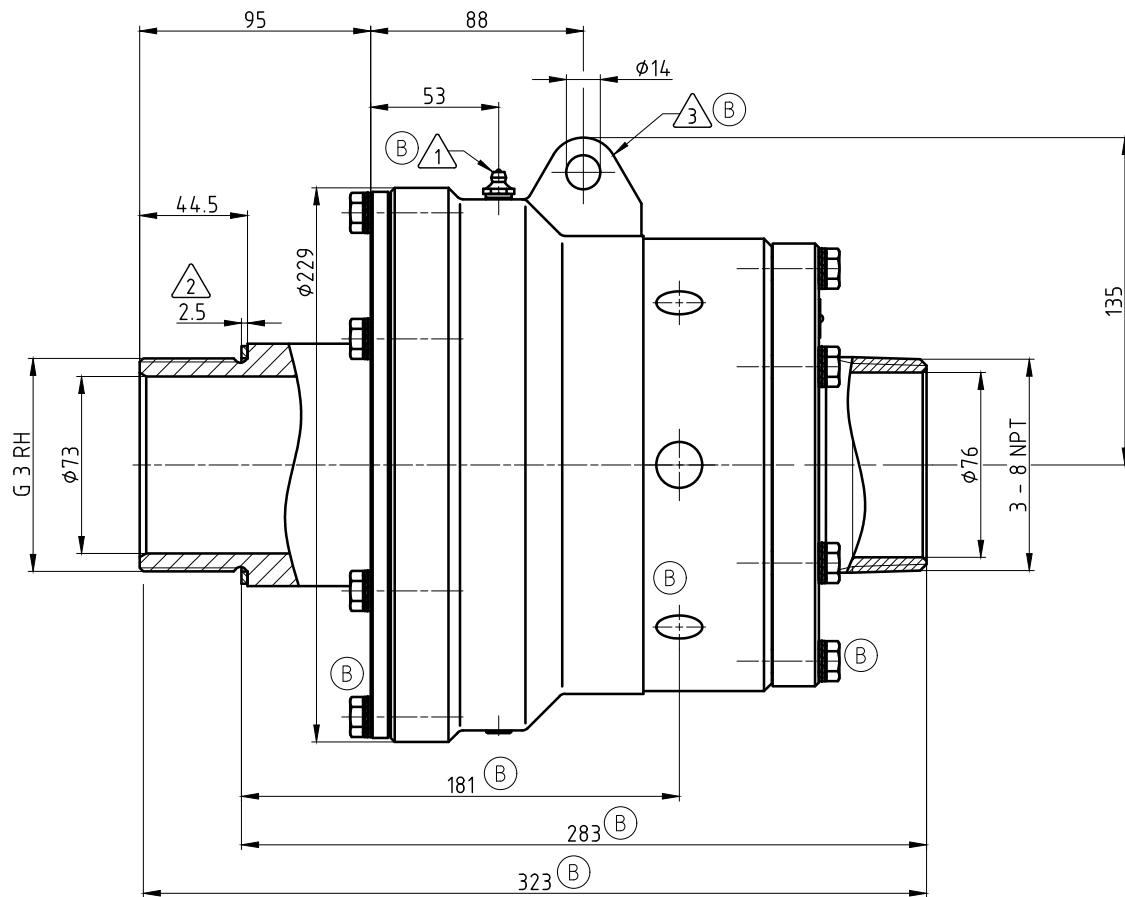
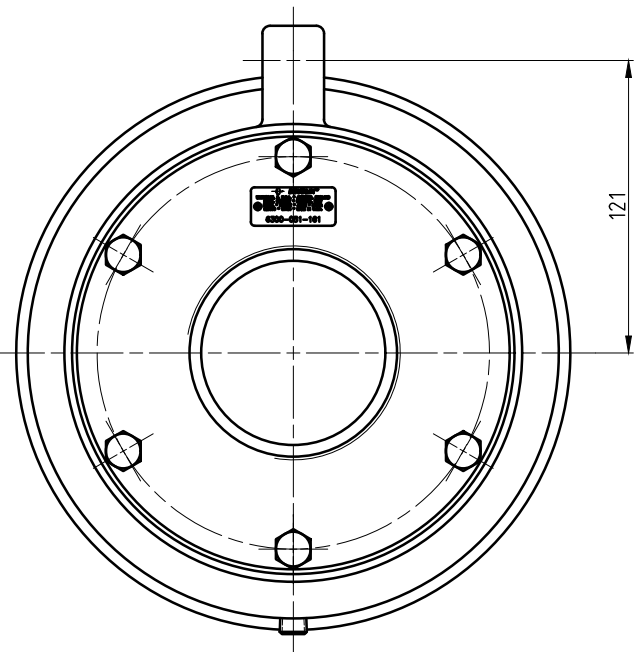
CONFIDENTIAL
 THIS DOCUMENT CONTAINS CONFIDENTIAL AND PROPRIETARY
 INFORMATION OF DEUBLIN COMPANY. COPYING, USE,
 TRANSMISSION, DISTRIBUTION, AND DISCLOSURE ARE SUBJECT
 TO THE TERMS AND CONDITIONS CONTAINED IN YOUR
 AGREEMENT WITH DEUBLIN COMPANY. ALL RIGHTS RESERVED.

NOTES:

① - CONTACT DEUBLIN OR VISIT WWW.DEUBLIN.COM
 FOR INSTRUCTION MANUAL: 040-561

② - GASKET THICKNESS.

③ - TORQUE LUG PROVIDED FOR ANTI-ROTATION. DO NOT RESTRICT MOVEMENT OF UNION.



OPERATING DATA	
MEDIA	WATER
PRESSURE MAX.	10 bar
SPEED MAX.	750 min ⁻¹
TEMPERATURE MAX.	93 °C
DRY RUN (WITHOUT ANY MEDIA)	NO
RECOMMENDED FILTRATION	60 micron
FLOW MAX	1514 L/min
TORQUE	10.9 Nm

PROJECTION:	
SCALE:	1:2
MATERIAL:	INTERFACE CONTROL DRAWING
DATE	NAME
DRN. 27.03.2014	MV
ENGR. 28.03.2014	CW
APPD.	
B SEE ECO 62551 07/22 MTS	
A DELETE ELBOW 030778 11/14 MV	
ISSUE MODIFICATION ECO DATE SIGN	

TITLE:	DEUBLIN ROTATING UNION DEUBLIN Drehdurchführung
NO.	6300-051-161
SHEET	A2

UNLESS SPECIFICALLY TOLERANCED, ALL DIMENSIONS ARE CONSIDERED REFERENCE