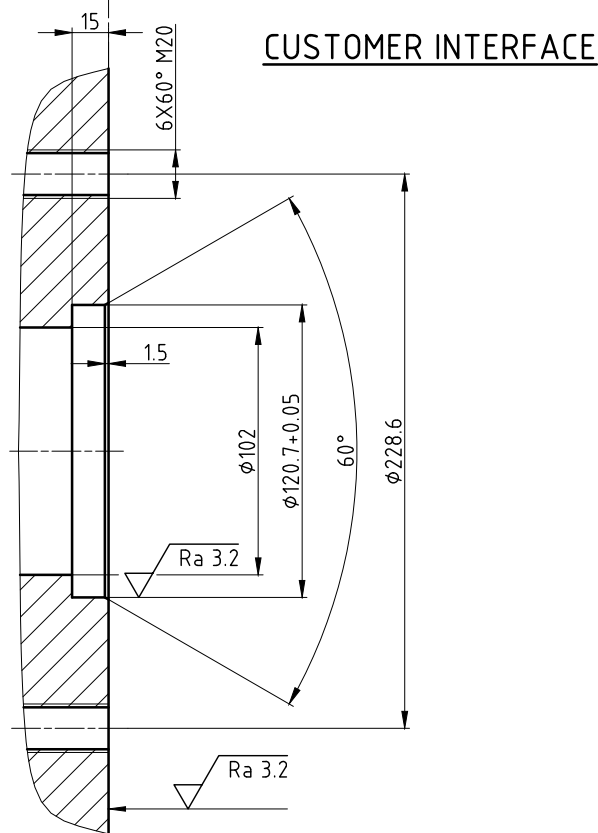
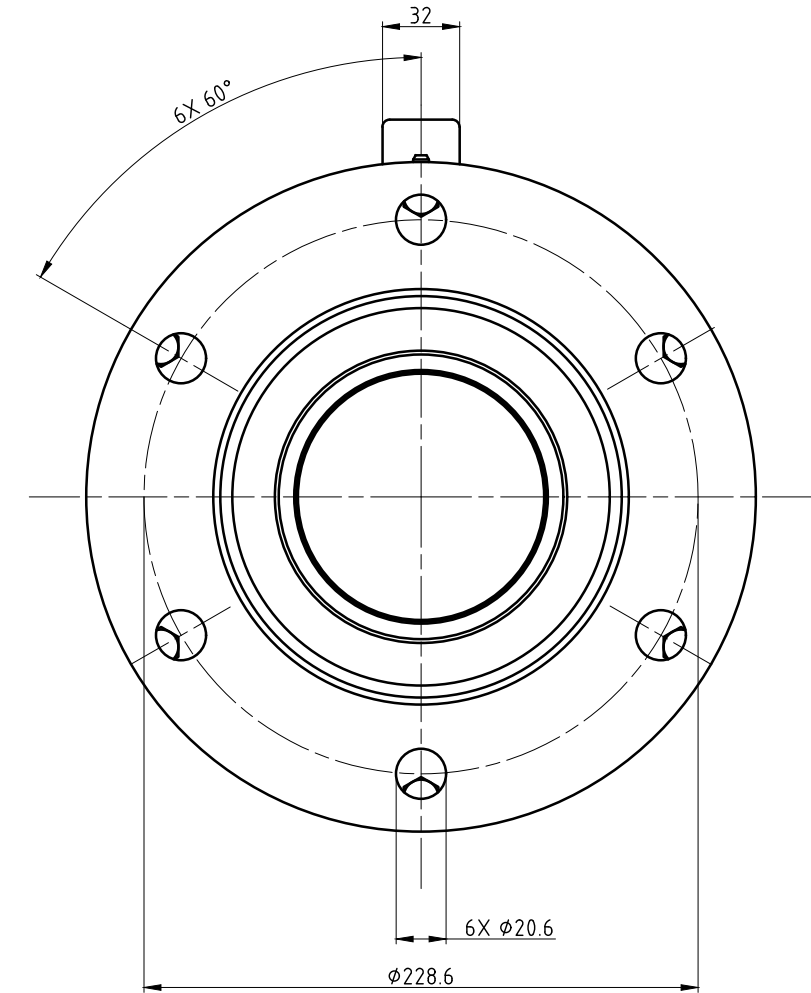
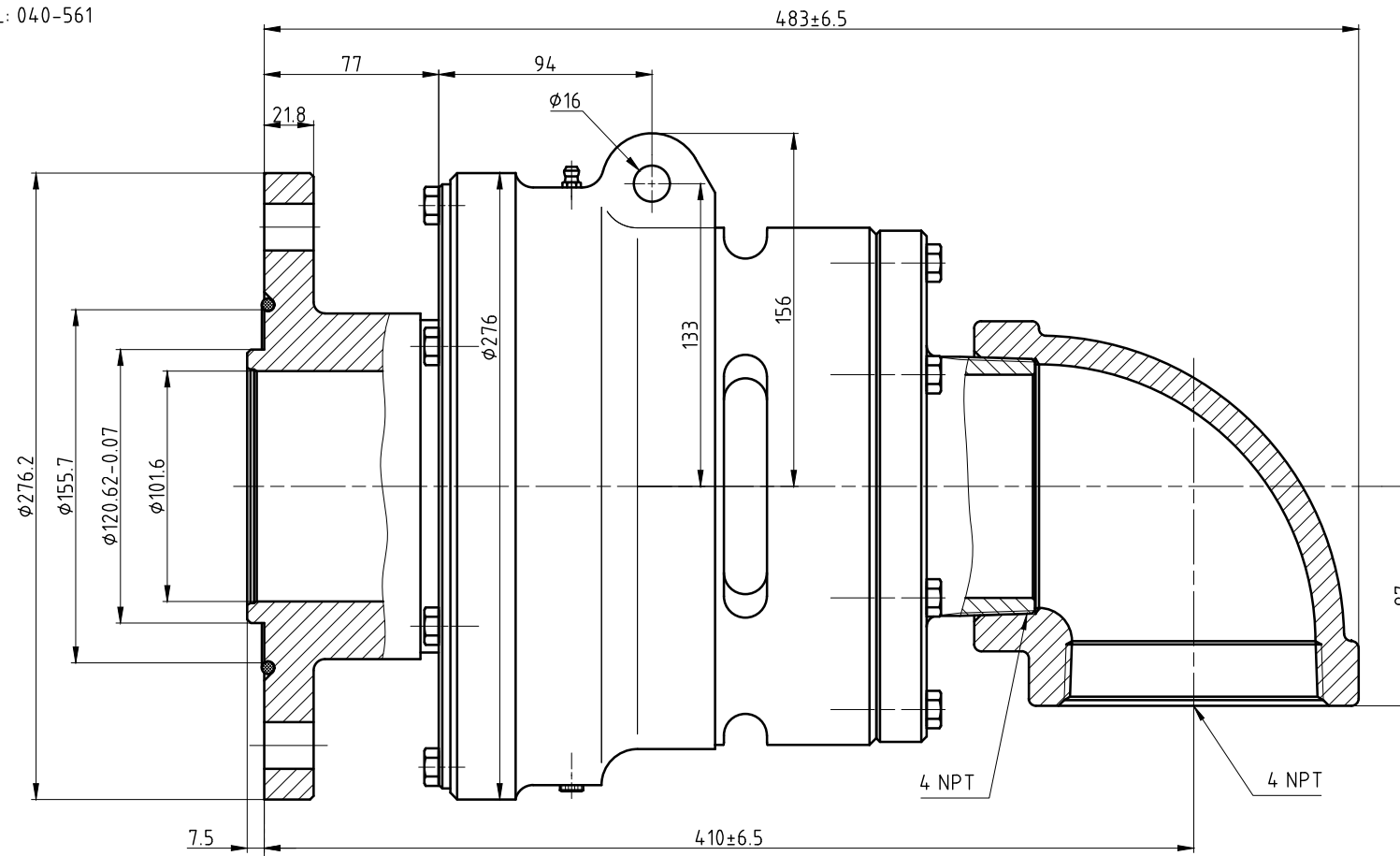


NOTES:  
 1 - CONTACT DEUBLIN OR VISIT WWW.DEUBLIN.COM  
 FOR INSTRUCTION MANUAL: 040-561

CONFIDENTIAL  
 THIS DOCUMENT CONTAINS CONFIDENTIAL AND PROPRIETARY  
 INFORMATION OF DEUBLIN COMPANY. COPYING, USE,  
 TRANSMISSION, DISTRIBUTION, AND DISCLOSURE ARE SUBJECT  
 TO THE TERMS AND CONDITIONS CONTAINED IN YOUR  
 AGREEMENT WITH DEUBLIN COMPANY. ALL RIGHTS RESERVED.



OPERATING DATA	
MEDIA	WATER
PRESSURE MAX.	10 bar
SPEED MAX.	750 min <sup>-1</sup>
TEMPERATURE MAX.	120 °C
DRY RUN (WITHOUT ANY MEDIA)	NO



PROJECTION:   
 SCALE: 1:2   
 MATERIAL: INTERFACE CONTROL DRAWING

DATE	NAME	TITLE:
DRN. 25.06.2015	CW	DEUBLIN ROTATING UNION DEUBLIN Drehdurchführung
ENGR. 25.06.2015	FD	
APPD.		

NO.	REVISION/UPDATE TO MS	DATE	BY	REASON
1	033697	06/15	CW	
2				
3				

NO. 6400-030-330   
 SHEET A2

UNLESS SPECIFICALLY TOLERANCED, ALL DIMENSIONS ARE CONSIDERED REFERENCE