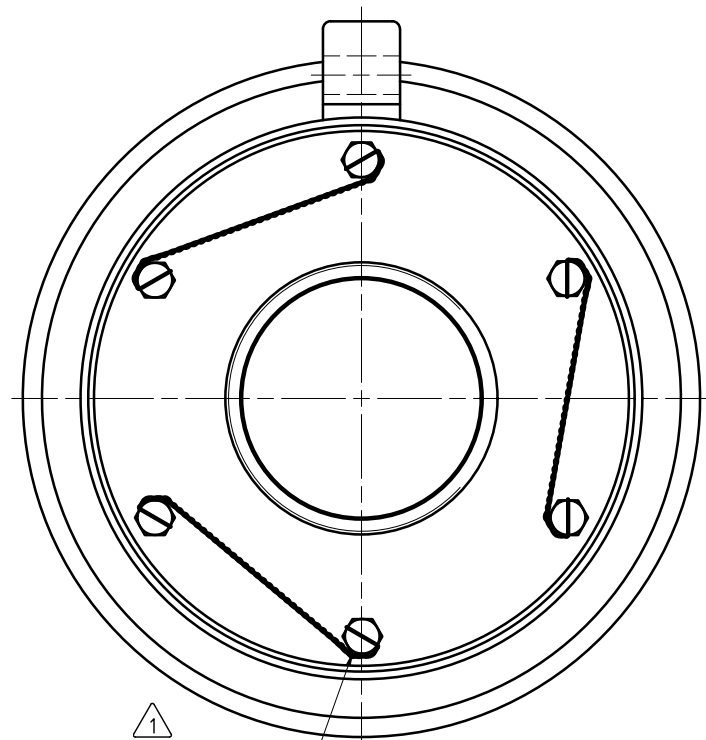


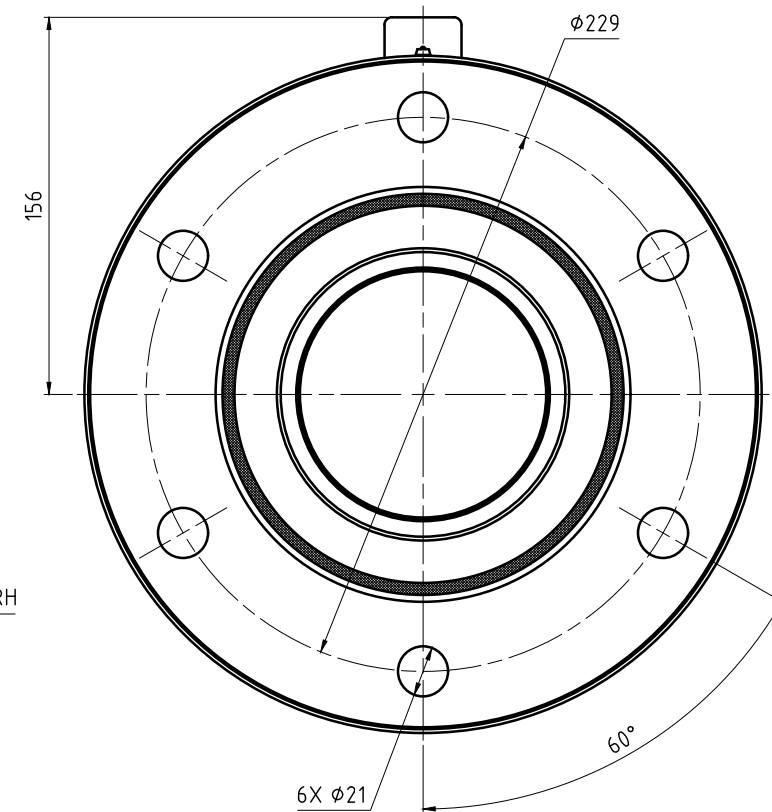
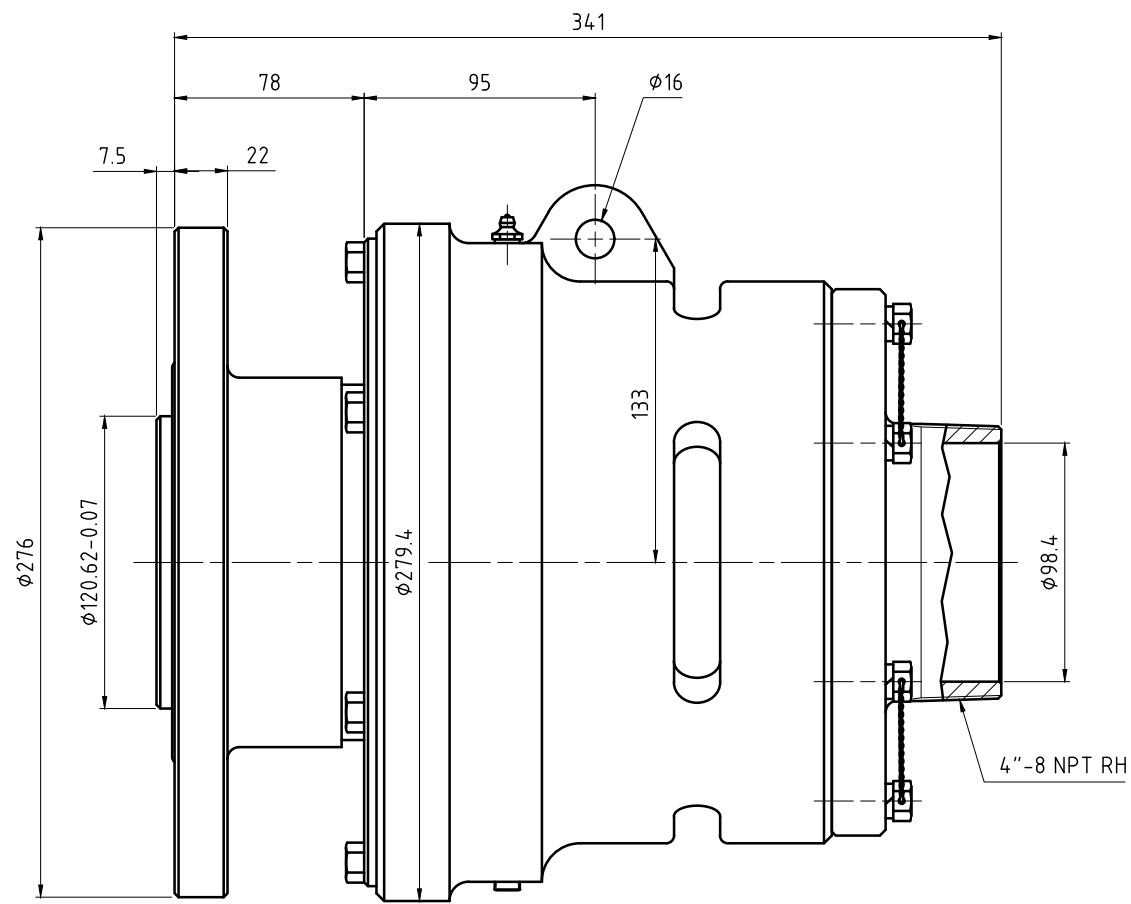
CONFIDENTIAL
 THIS DOCUMENT CONTAINS CONFIDENTIAL AND PROPRIETARY
 INFORMATION OF DEUBLIN COMPANY. COPYING, USE,
 TRANSMISSION, DISTRIBUTION, AND DISCLOSURE ARE SUBJECT
 TO THE TERMS AND CONDITIONS CONTAINED IN YOUR
 AGREEMENT WITH DEUBLIN COMPANY. ALL RIGHTS RESERVED.

NOTES:

① - TORQUE TO 34Nm +/- 7Nm.



①
 6X 3/8-16 UNC
 HEX HEAD BOLT



OPERATING DATA		
MEDIA	WATER	
MAX WATER PRESSURE	150 PSI	10 bar
MAX WATER TEMP.	250°F	125°C
MAX SPEED	750 RPM	750/min



PROJECTION:	SCALE: 1:2	MATERIAL: INTERFACE CONTROL DRAWING				
DATE	NAME	TITLE: DEUBLIN UNION				
DRN. 06/24/14	N. Reyna	NO. 6400-048-330				
ENGR. 06/24/14	T. Wilson					
APPD.						
ISSUE	MODIFICATION	ECO	DATE	SIGN	UNLESS SPECIFICALLY TOLERANCED, ALL DIMENSIONS ARE CONSIDERED REFERENCE	SHEET A2