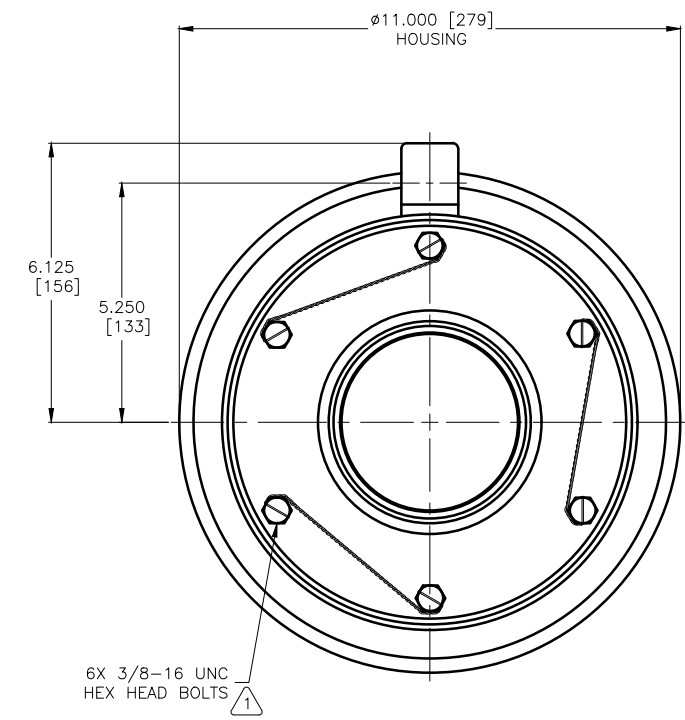
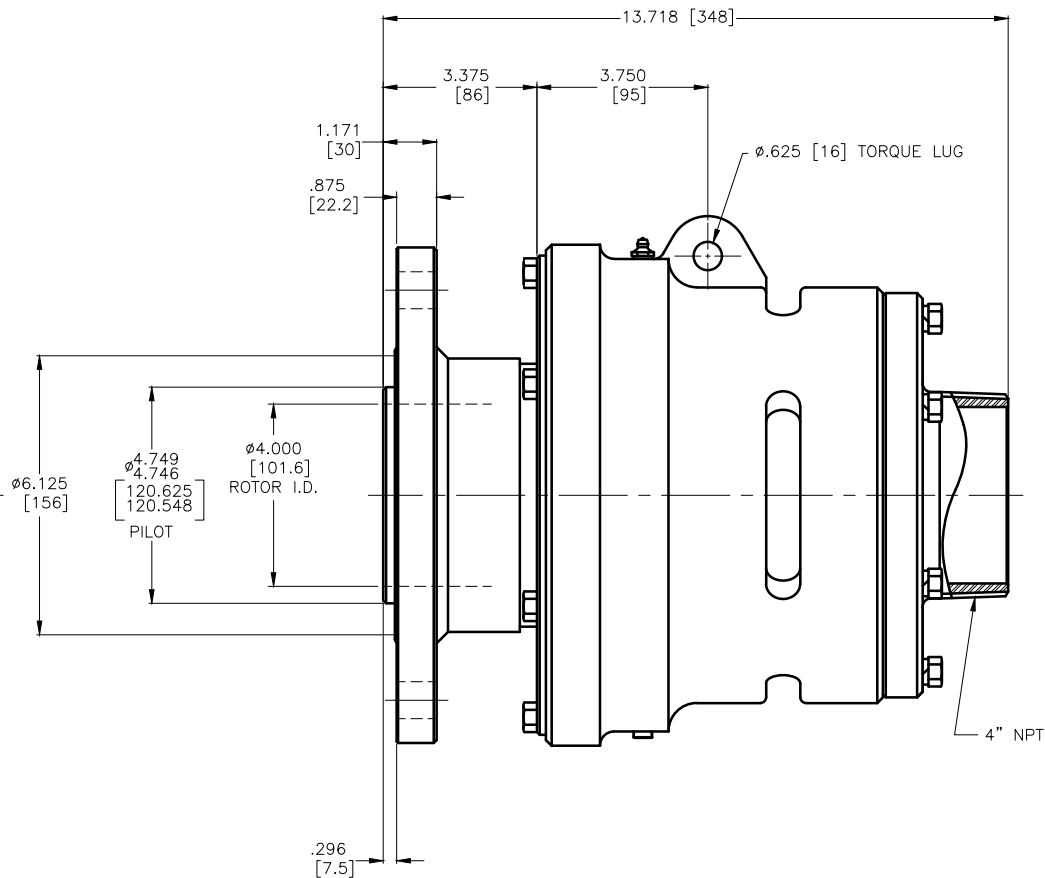
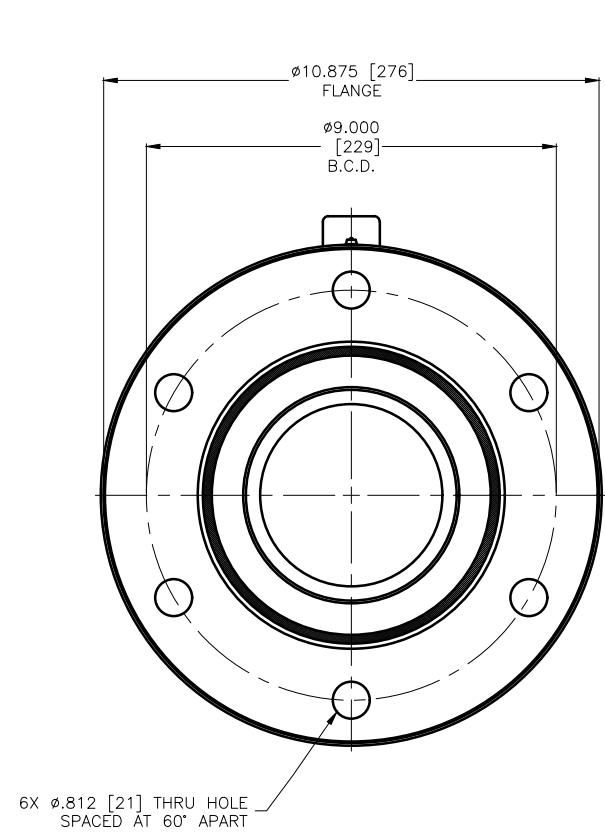
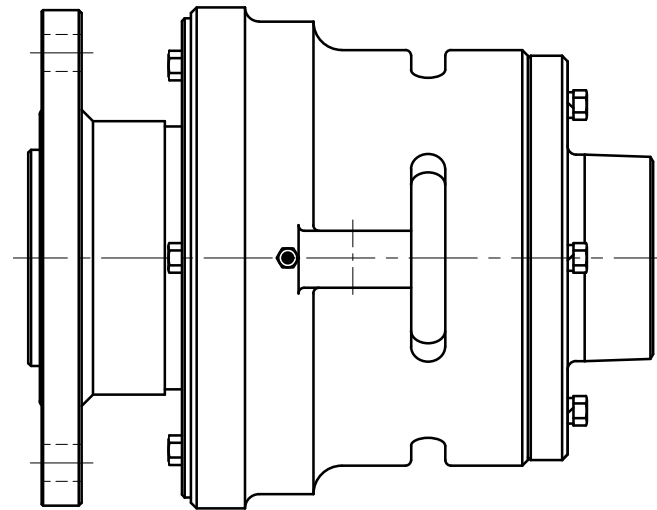


NOTES:

- ⚠ - TORQUE BOLTS TO 20-30 FT-LBS (27-41 Nm) AND SAFETY WIRE.
- 2 - WHEN ORDERING FROM DEUBLIN USE PART NUMBER 6400-115-330.

OPERATING DATA:
 WATER SERVICE
 150 P.S.I.(10 BAR) MAX.
 750 R.P.M.(750/MIN) MAX.
 250°F.(121°C) MAX.
 TORQUE AT 150 P.S.I.=10 FT.LBS.
 FLOW RATE = 700 GPM



CONFIDENTIAL
 THIS DOCUMENT CONTAINS PROPRIETARY INFORMATION AND IS NOT TO BE TRANSMITTED, REPRODUCED, USED OR DISCLOSED TO ANYONE WITHOUT THE WRITTEN PERMISSION OF THE DEUBLIN COMPANY.

EQUIPMENT REF:		SIZE 12	REV D
ASSY/TEST FIXTURES REQUIRED:		BY JK	08/08/07
UNTOLERANCED DIMENSIONS ±.010 DECIMALS AS SPECIFIED. DIMENSIONS IN [] ARE IN MILLIMETERS.		DEUBLIN COMPANY WAUKEGAN, ILLINOIS, U.S.A. WILD: INTERFACE CONTROL DRAWING FOR UNION 6400-115-330 NO. 6400-115-330-IC CAD DRAWING	
LET.	REVISION	EOO	DATE SHN