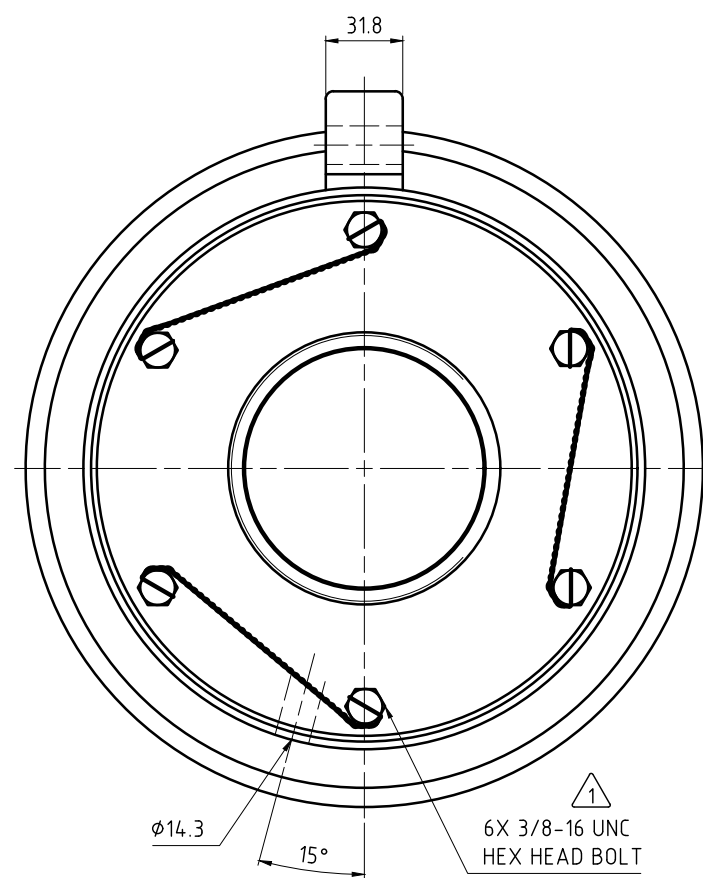
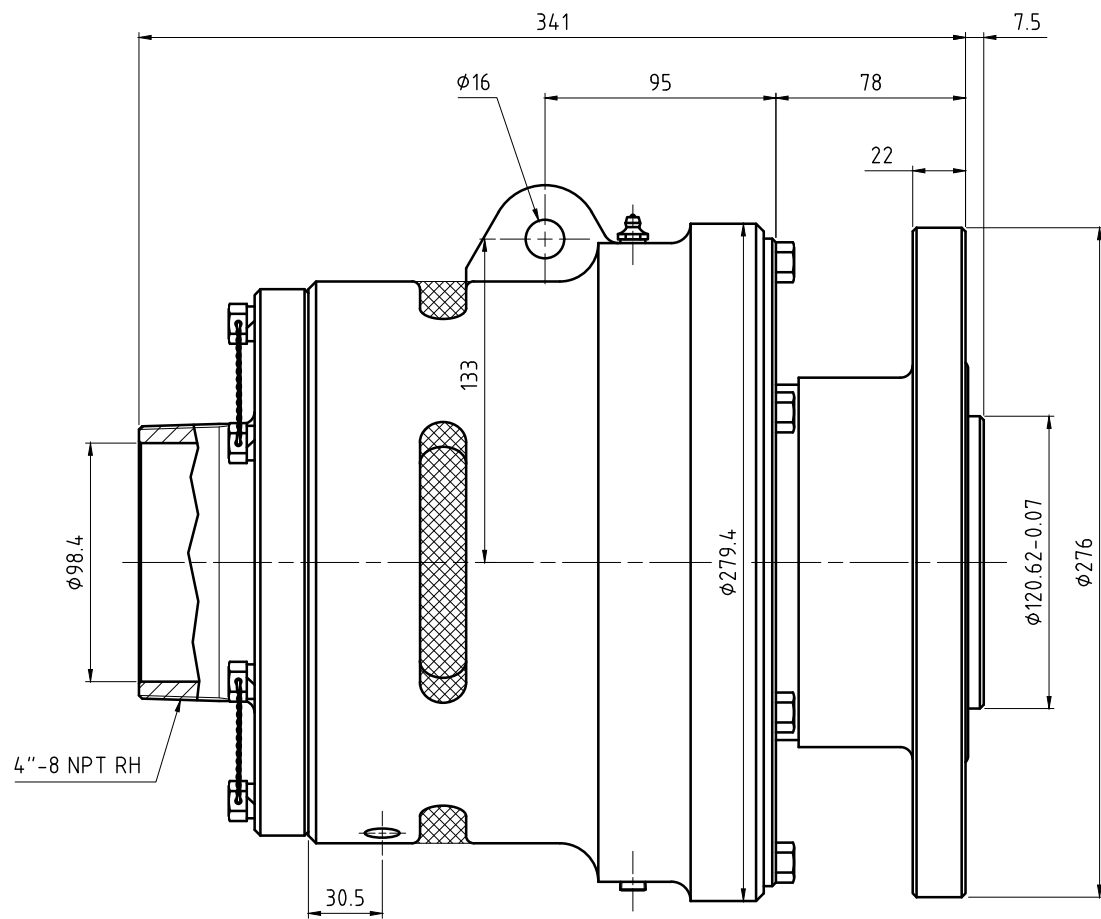
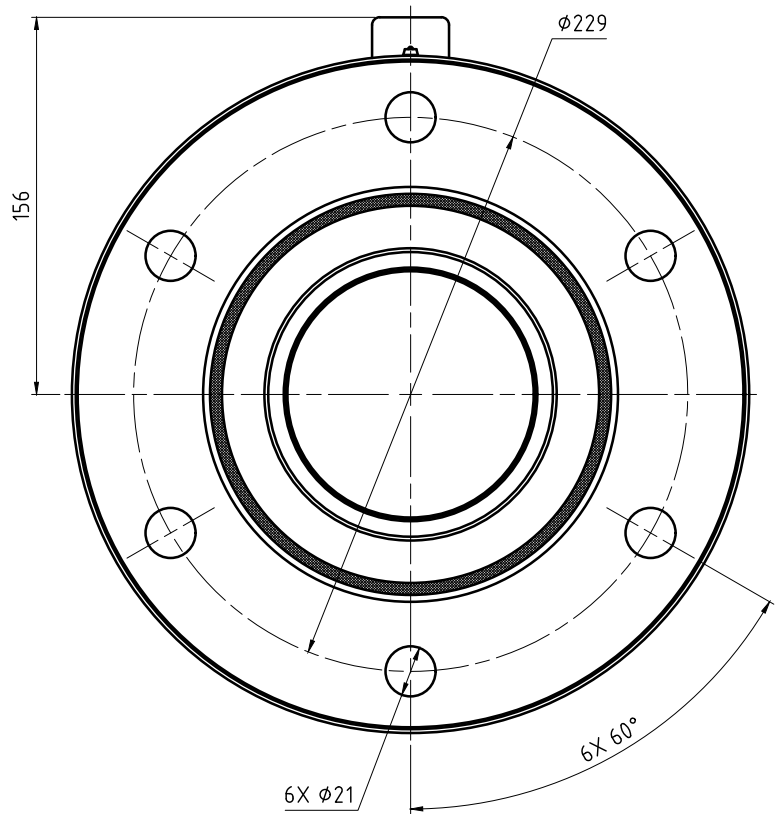


CONFIDENTIAL
 THIS DOCUMENT CONTAINS CONFIDENTIAL AND PROPRIETARY
 INFORMATION OF DEUBLIN COMPANY. COPYING, USE,
 TRANSMISSION, DISTRIBUTION, AND DISCLOSURE ARE SUBJECT
 TO THE TERMS AND CONDITIONS CONTAINED IN YOUR
 AGREEMENT WITH DEUBLIN COMPANY. ALL RIGHTS RESERVED.

NOTES:

① - TORQUE TO 34Nm +/- 7Nm.



OPERATING DATA		
MEDIA	WATER	
MAX WATER PRESSURE	150 PSI	10 bar
MAX WATER TEMP.	200°F	93°C
MAX SPEED	750 RPM	750/min

		PROJECTION: 	SCALE: 1:2 MATERIAL: INTERFACE CONTROL DRAWING
DATE: 04/28/16 NAME: N. Reyna ENGR: 04/28/16 T. Wilson APPD.		TITLE: DEUBLIN UNION	
NO. 6400-145-330		SHEET A2	
ISSUE	MODIFICATION	ECO	DATE
			SIGN

UNLESS SPECIFICALLY TOLERANCED, ALL DIMENSIONS ARE CONSIDERED REFERENCE