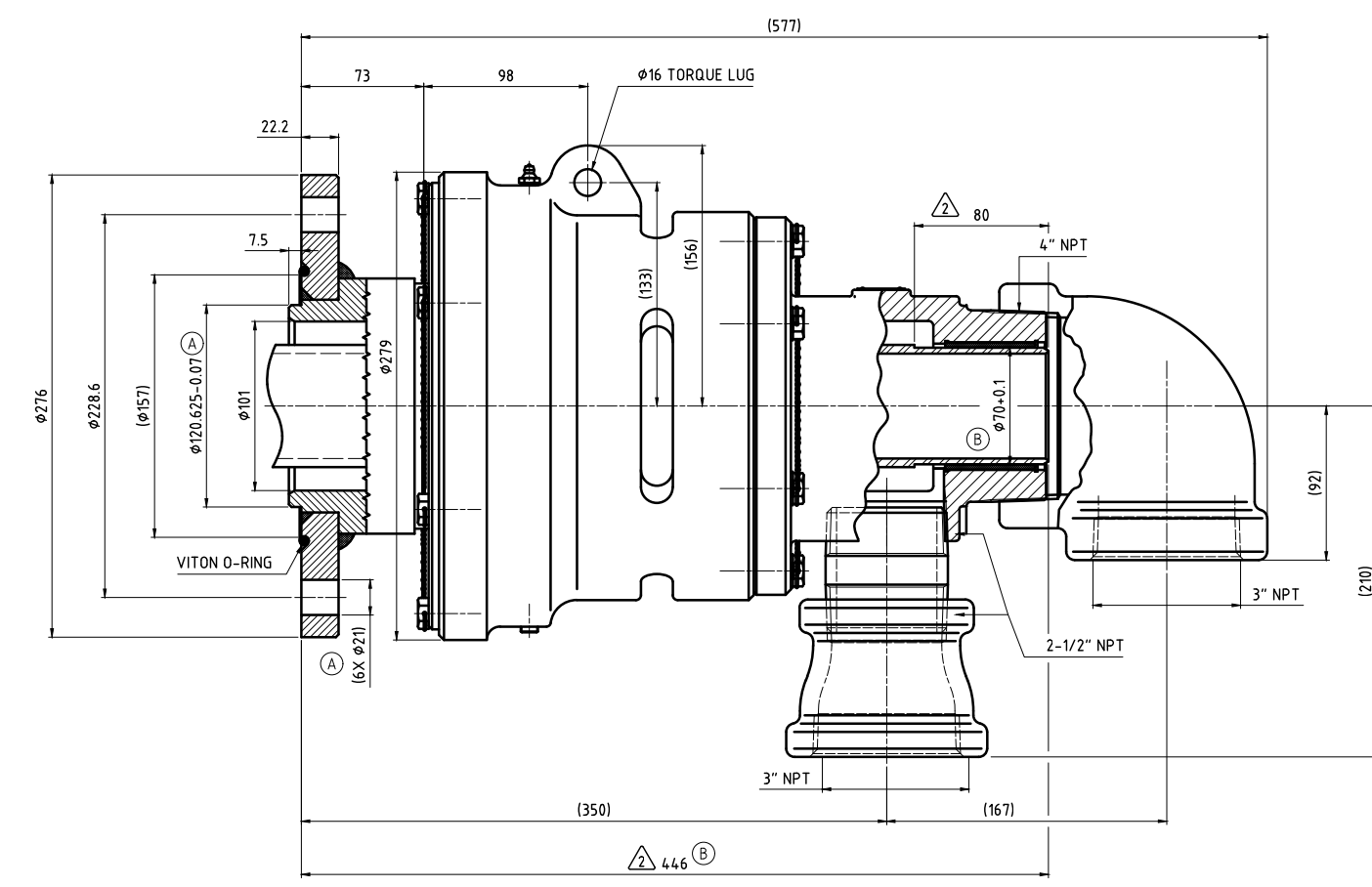
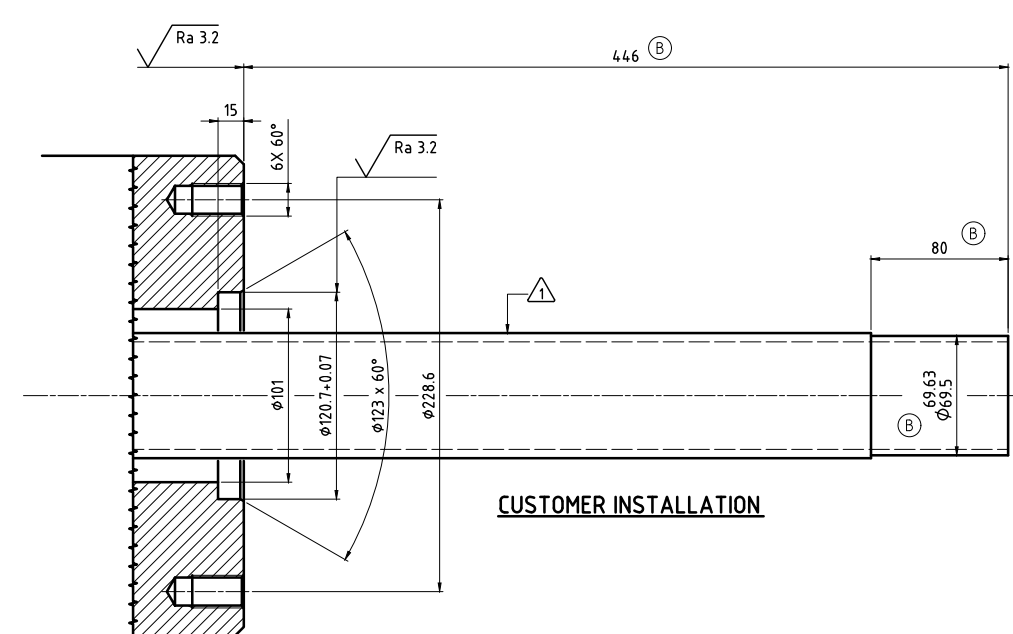


CONFIDENTIAL
 THIS DOCUMENT CONTAINS CONFIDENTIAL AND PROPRIETARY INFORMATION OF DEUBLIN COMPANY. COPYING, REPRODUCTION, DISTRIBUTION, AND DISCLOSURE IS STRICTLY PROHIBITED. TO THE TERMS AND CONDITIONS CONTAINED IN YOUR AGREEMENT WITH DEUBLIN COMPANY. ALL RIGHTS RESERVED.

NOTES:
 △ - PIPE SUPPLIED BY CUSTOMER. PIPE SIZE: 2 1/2".
 △ - PIPE LENGTH.



OPERATING DATA:
 WATER SERVICE
 10 bar MAX. PRESSURE
 750 RPM MAX. SPEED
 135°C MAX. MEDIA TEMPERATURE

		PROJECTION:	SCALE: 1:2
DATE: 06/09/11		NAME: GA	TITLE: INTERFACE CONTROL DRAWING
ENGR: 06/09/11		APPD: TW	DEUBLIN UNION 6400-154-330
REV: 025293 10/13		LG	NO. 6400-154-330
REV: 019874 9/12		GA	SHEET A1
REV: 019874 9/12		GA	
ISSUE/	MODIFICATION	ECD	DATE
UNLESS SPECIFICALLY TOLERANCED, ALL DIMENSIONS ARE CONSIDERED REFERENCE			