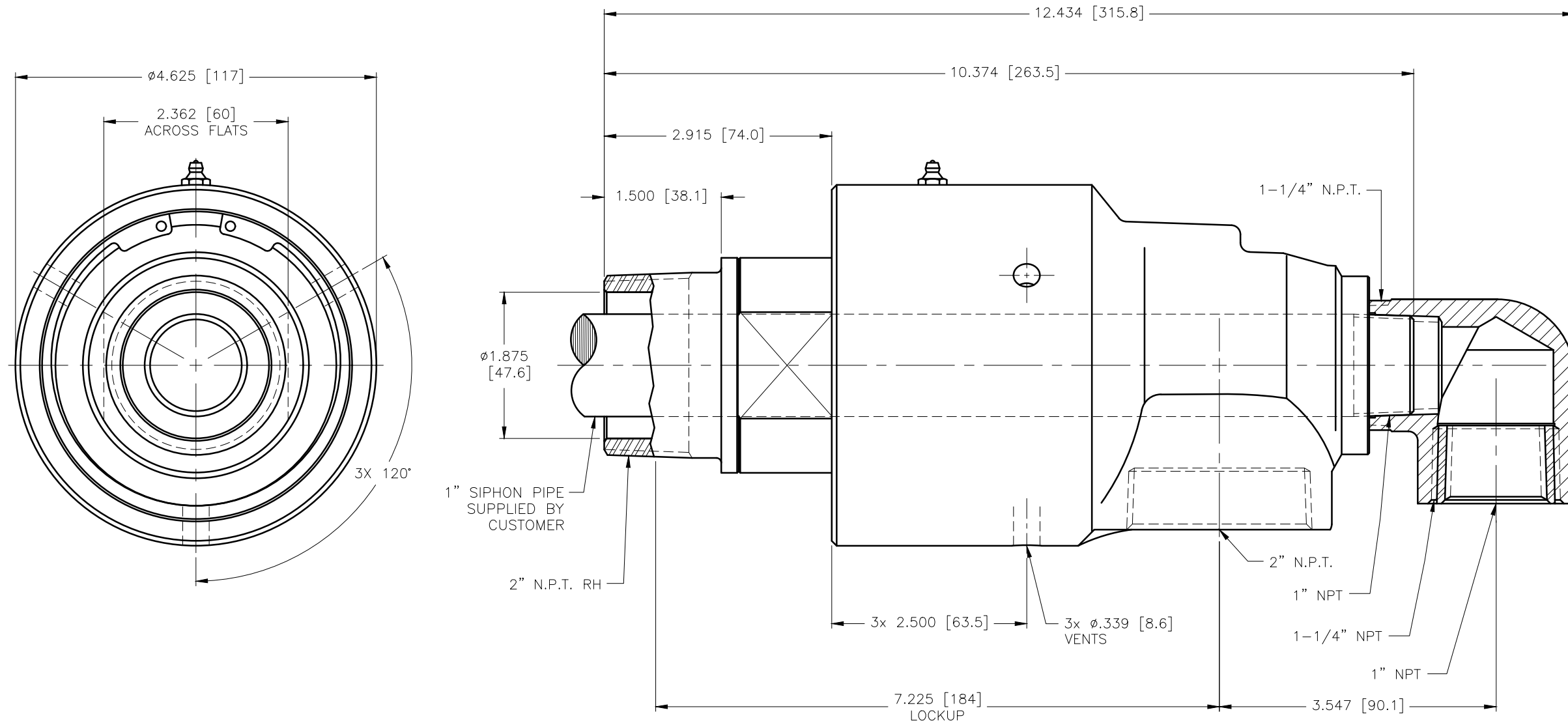


CONFIDENTIAL  
 THIS DOCUMENT CONTAINS CONFIDENTIAL AND PROPRIETARY INFORMATION OF DEUBLIN COMPANY. COPYING, USE, TRANSMISSION, DISTRIBUTION, AND DISCLOSURE ARE SUBJECT TO THE TERMS AND CONDITIONS CONTAINED IN YOUR AGREEMENT WITH DEUBLIN COMPANY. ALL RIGHTS RESERVED.

NOTES:  
 1 - WHEN ORDERING FROM DEUBLIN USE PART NUMBER: 655-500-116183.



OPERATING DATA		
MEDIA	WATER	
MAX WATER PRESSURE	600 PSI	41 bar
MAX WATER TEMP.	250°F	121°C
MAX SPEED	750 RPM	750/min

SCALE	1:1	DWG SIZE	
DRN	NR	03/03/08	
ENGR	RM	03/03/08	
APPD	RM	03/03/08	
PART NO.	655-500-116183		
CUSTOMER			
LET.	REVISION	ECO	DATE SIGN

UNLESS SPECIFICALLY TOLERANCED, ALL DIMENSIONS ARE REFERENCE DIMENSIONS IN [ ] ARE IN MILLIMETERS.

**DEUBLIN** COMPANY  
 WAUKEGAN, ILLINOIS, U.S.A.

TITLE: INTERFACE CONTROL  
 DRAWING OF DEUBLIN  
 UNION 655-500-116183

DWG NO. 655-500-116183  
 C.A.D. DRAWING