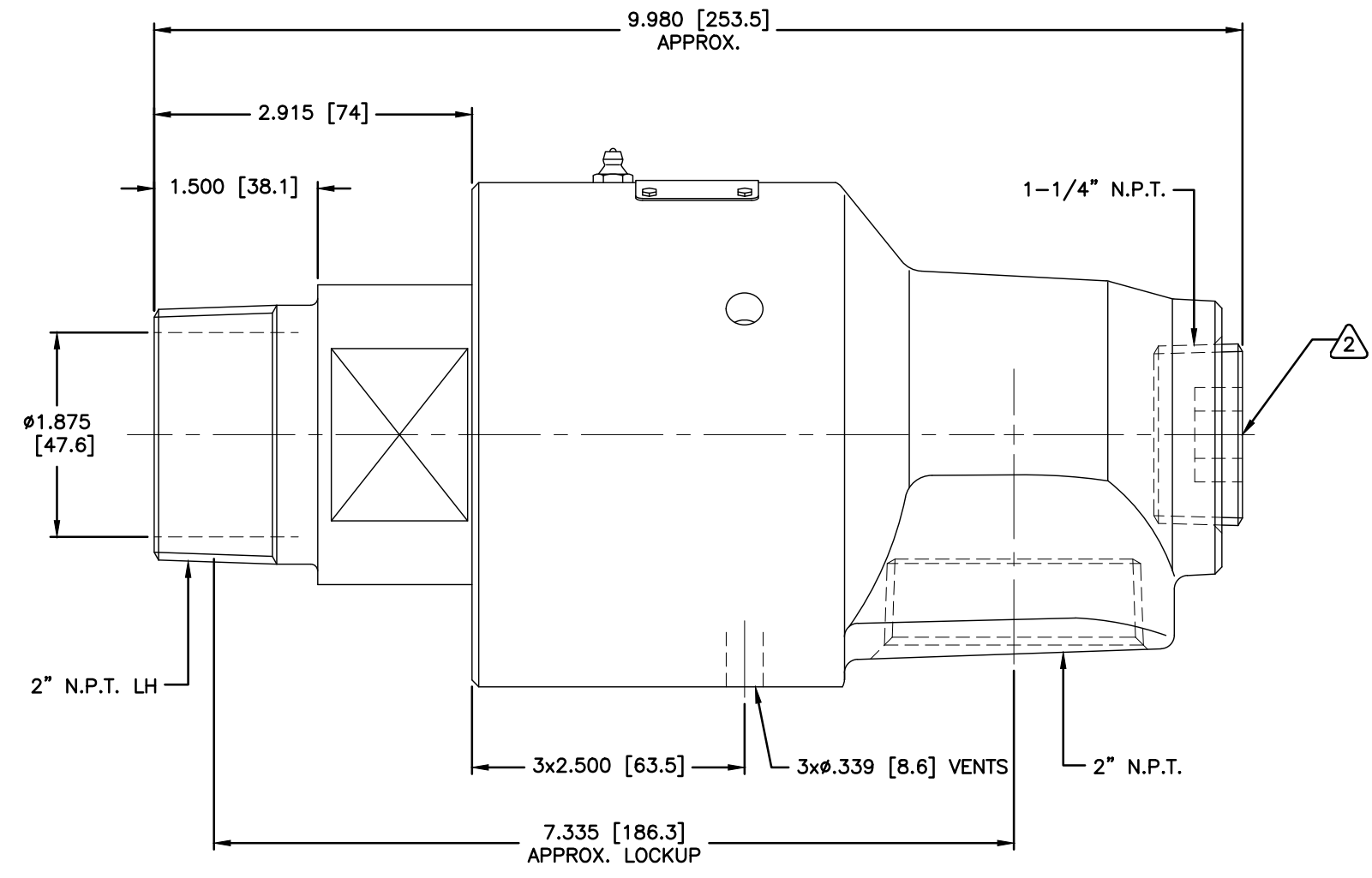
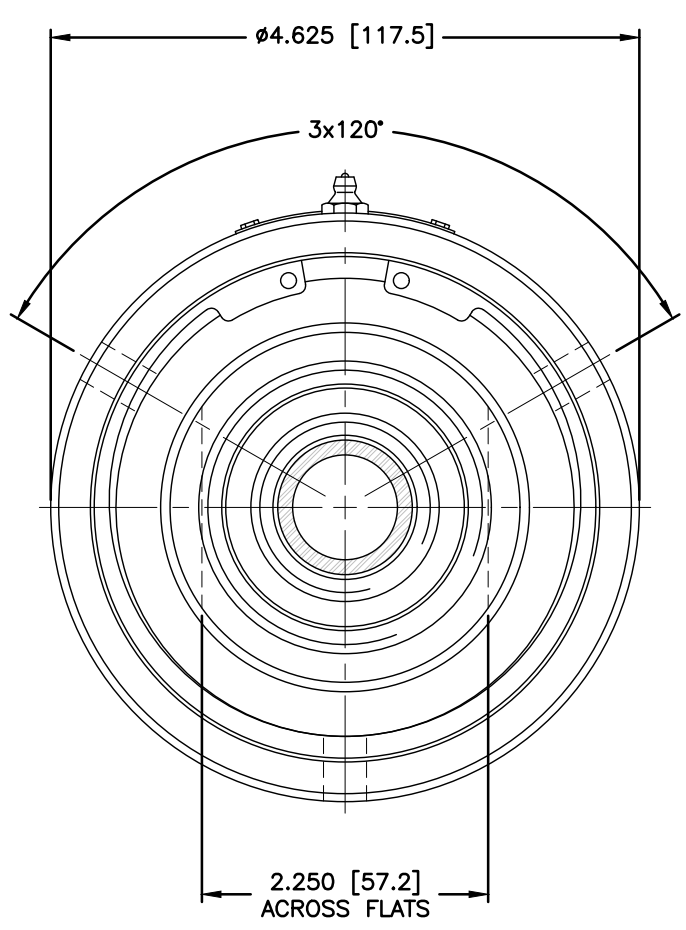


NOTES:
 1 - WHEN ORDERING FROM DEUBLIN USE PART NUMBER: 655-500-117.
 2 - PLUG INSTALLED HAND TIGHT FROM FACTORY. IF PORT IS NOT UTILIZED, TIGHTEN BEFORE USE.



CONFIDENTIAL
 THIS DOCUMENT CONTAINS PROPRIETARY INFORMATION AND IS NOT TO BE TRANSMITTED, REPRODUCED, USED OR DISCLOSED TO ANYONE WITHOUT THE WRITTEN PERMISSION OF THE DEUBLIN COMPANY.

SCALE	FULL	DWG SIZE	C
DRN	GA	03/26/02	
ENGR			
APPD			

DEUBLIN COMPANY
 WAUKEGAN, ILLINOIS, U.S.A.

TITLE: INTERFACE CONTROL DRAWING FOR UNION 655-500-117

NO. 655-500-117-IC C.A.D DRAWING

EQUIPMENT REF:	
ASSY/TEST FIXTURES REQUIRED:	
A	ADDED PIPE PLUG NOTE 08/02 RM
LET.	REVISION ECO DATE SIGN

UNLESS OTHERWISE SPECIFIED TOLERANCES ±.010. DIMENSIONS IN [] ARE IN MILLIMETERS.