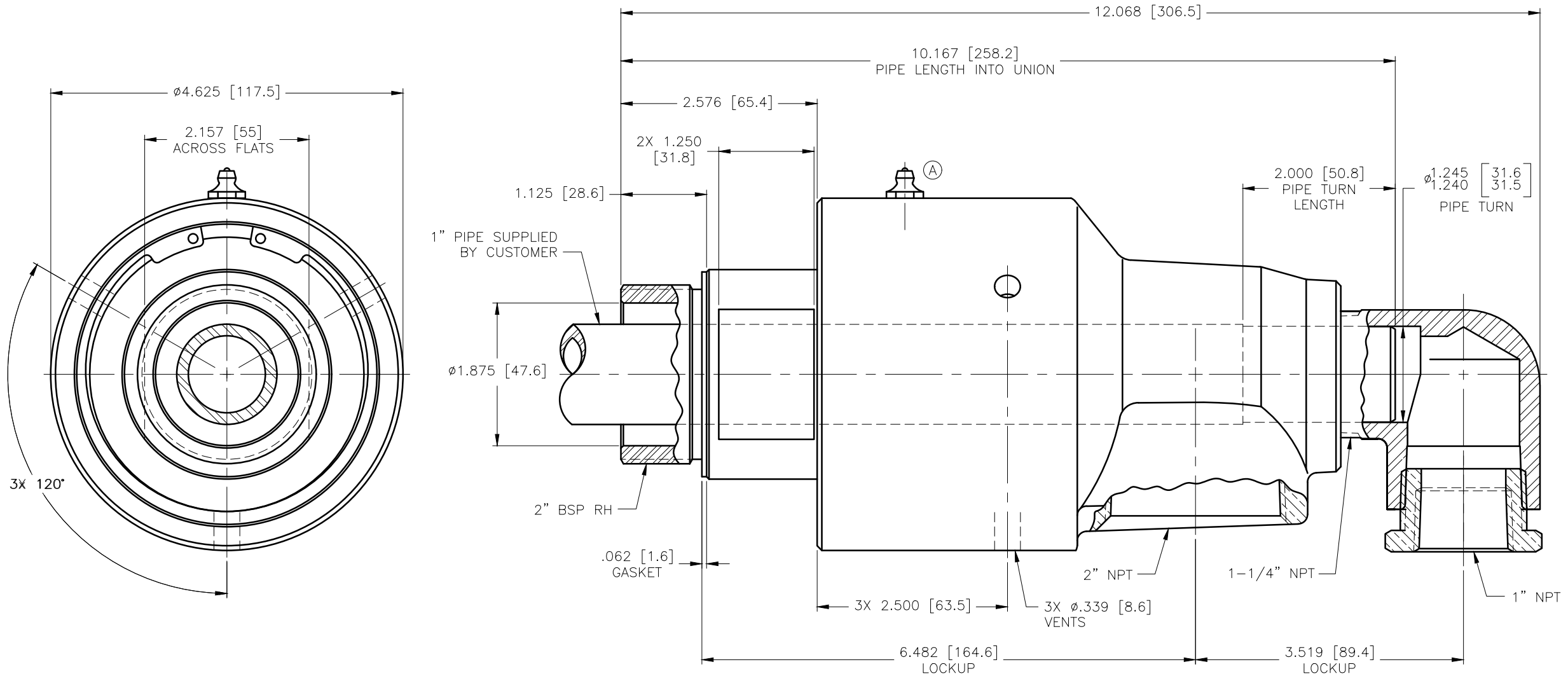


CONFIDENTIAL
 THIS DOCUMENT CONTAINS CONFIDENTIAL AND PROPRIETARY INFORMATION OF DEUBLIN COMPANY. COPYING, USE, TRANSMISSION, DISTRIBUTION, AND DISCLOSURE ARE SUBJECT TO THE TERMS AND CONDITIONS CONTAINED IN YOUR AGREEMENT WITH DEUBLIN COMPANY. ALL RIGHTS RESERVED.



OPERATING DATA		
MEDIA	WATER	
MAX WATER PRESSURE	600 PSI	41 bar
MAX WATER TEMP.	250°F	121°C
MAX SPEED	750 RPM	750/min

SCALE	1 = 1	DWG SIZE	
DRN	NR	09/14/07	
ENGR	SS	09/14/07	
APPD	SS	09/14/07	
PART NO.	655-500-124-177		
CUSTOMER			
LET.	REVISION	ECO	DATE SIGN
A	ADDED GREASE FITTING	005485	04/09 NR

UNLESS SPECIFICALLY TOLERANCED, ALL DIMENSIONS ARE REFERENCE
 DIMENSIONS IN [] ARE IN MILLIMETERS.

DEUBLIN COMPANY
 WAUKEGAN, ILLINOIS, U.S.A.

TITLE: INTERFACE CONTROL
 DRAWING OF DEUBLIN
 UNION 655-500-124177

DWG NO. 655-500-124177
 C.A.D. DRAWING