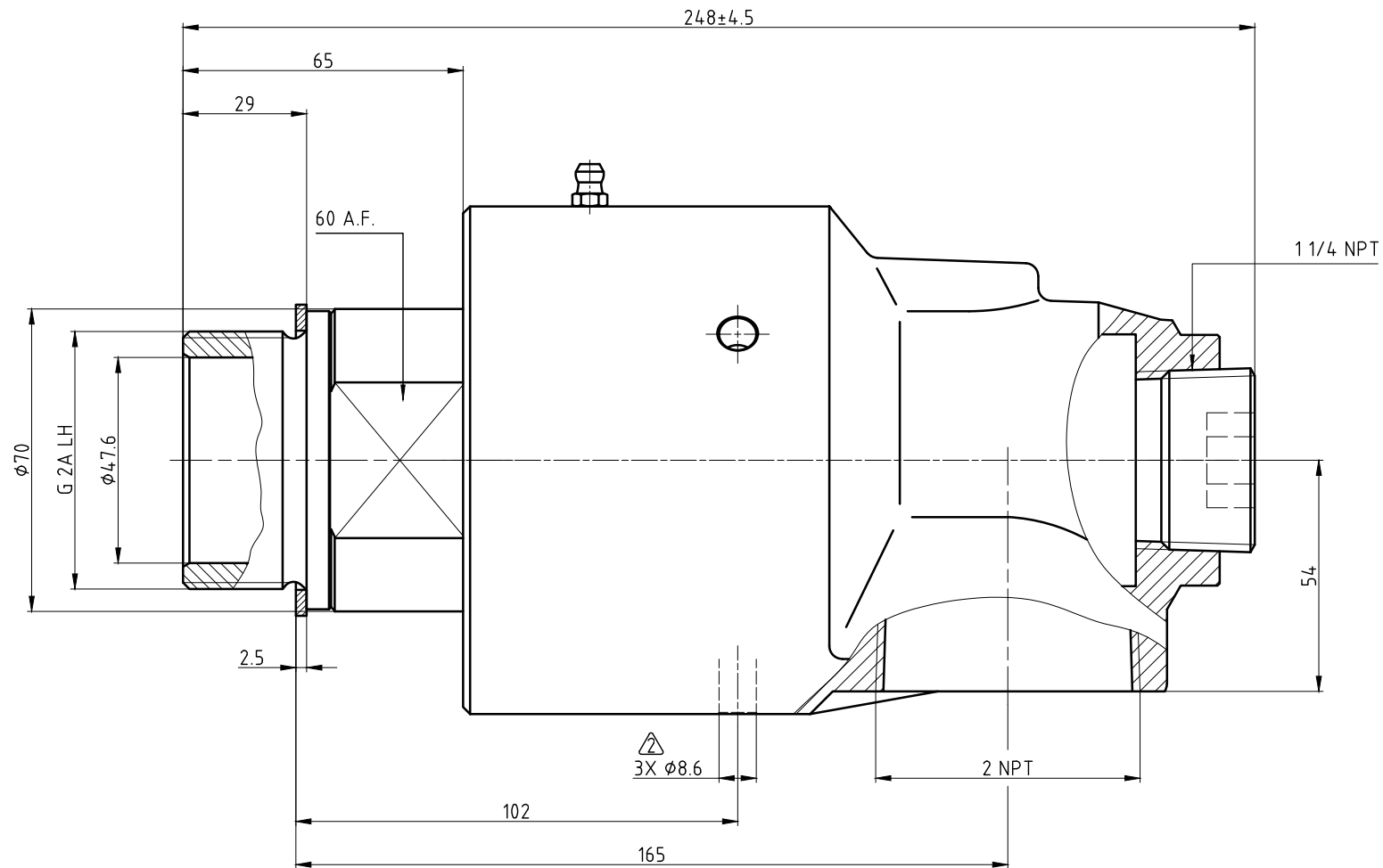
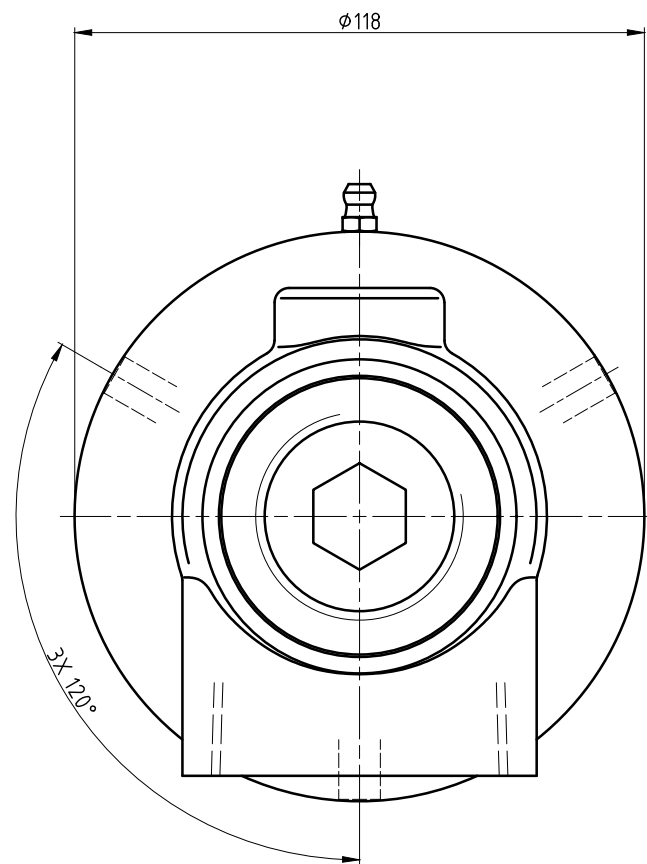


CONFIDENTIAL
 THIS DOCUMENT CONTAINS CONFIDENTIAL AND PROPRIETARY INFORMATION OF DEUBLIN COMPANY. COPYING, USE, TRANSMISSION, DISTRIBUTION, AND DISCLOSURE ARE SUBJECT TO THE TERMS AND CONDITIONS CONTAINED IN YOUR AGREEMENT WITH DEUBLIN COMPANY. ALL RIGHTS RESERVED.

NOTES:
 1 - USE INSTRUCTION MANUAL 040-550!
 ⚠ - VENT HOLES



OPERATING DATA			
MEDIA	★ WATER	SATURATED STEAM (INTERMITTENT)	HOT OIL
PRESSURE MAX.	14 bar	1 bar	6.6 bar
SPEED MAX.	750 min ⁻¹	750 min ⁻¹	750 min ⁻¹
TEMPERATURE MAX.	120 °C	120 °C	120 °C
DRY RUN (WITHOUT ANY MEDIA)	NO		
ADDITIONAL INFORMATION	★ PRESSURES EXCEEDING 8 bars ONLY PERMISSIBLE WITH COLD WATER (50°C MAX.)		



PROJECTION: 
 SCALE: 1:1
 MATERIAL: INTERFACE CONTROL DRAWING

DATE	NAME	TITLE
DRN. 07.05.2010	CW	DEUBLIN ROTATING UNION DEUBLIN Drehdurchführung
ENGR. 07.05.2010	FD	
APPD.		

NO. 655-500-125
 SHEET A3

UNLESS SPECIFICALLY TOLERANCED, ALL DIMENSIONS ARE CONSIDERED REFERENCE

ISSUE MODIFICATION ECO DATE SIGN