

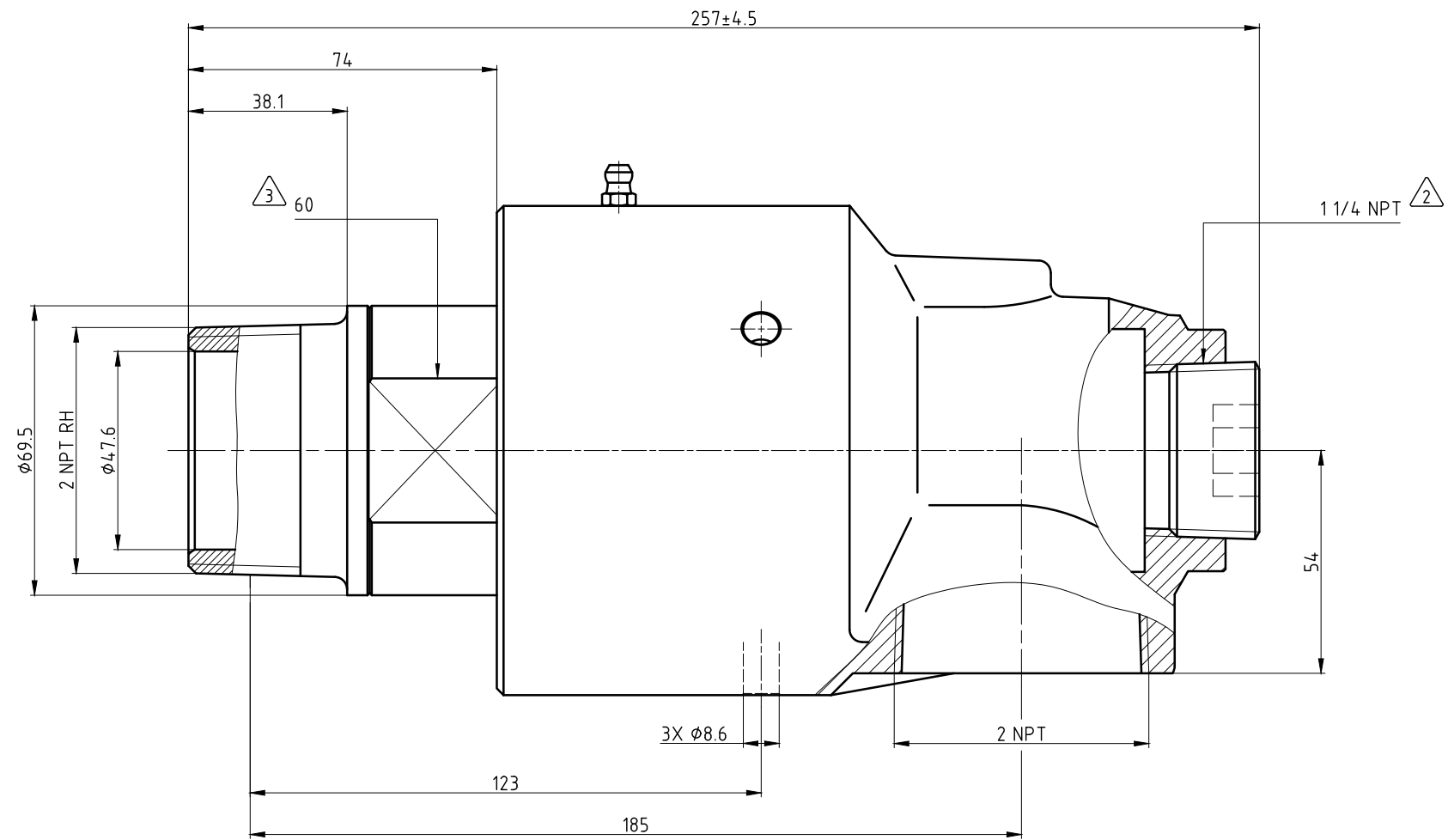
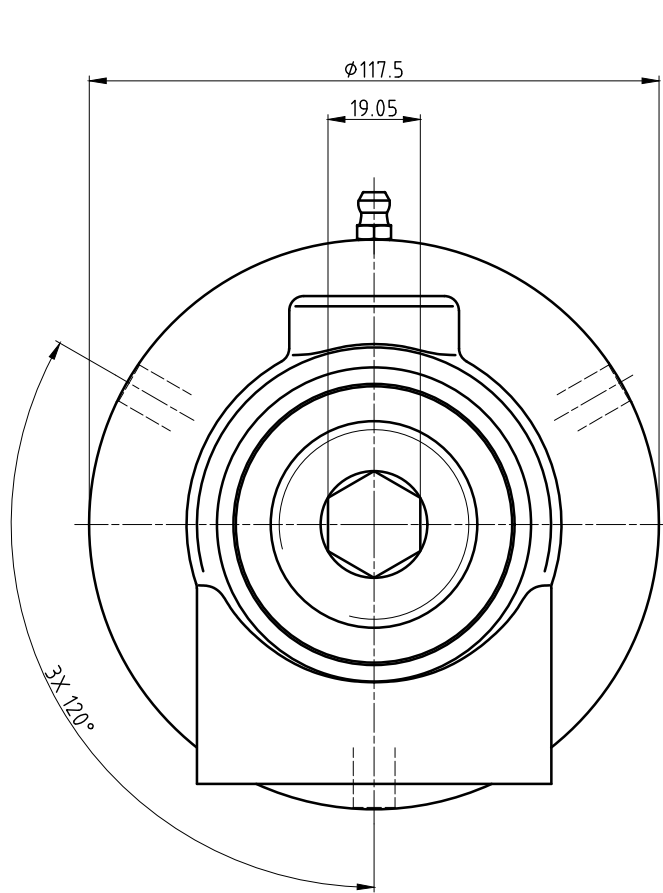
CONFIDENTIAL
 THIS DOCUMENT CONTAINS CONFIDENTIAL AND PROPRIETARY
 INFORMATION OF DEUBLIN COMPANY. COPYING, USE,
 TRANSMISSION, DISTRIBUTION, AND DISCLOSURE ARE SUBJECT
 TO THE TERMS AND CONDITIONS CONTAINED IN YOUR
 AGREEMENT WITH DEUBLIN COMPANY. ALL RIGHTS RESERVED.

NOTES:

1 - CONTACT DEUBLIN OR VISIT WWW.DEUBLIN.COM
 FOR INSTRUCTION MANUAL: 040-550

2 - PLUG INSTALLED HAND TIGHT FROM FACTORY. IF PORT IS NOT UTILIZED,
 TIGHTEN BEFORE USE.

3 - ACROSS FLATS.



OPERATING DATA	
MEDIA	WATER
PRESSURE MAX.	14 bar
SPEED MAX.	750 min ⁻¹
TEMPERATURE MAX.	90 °C
DRY RUN (WITHOUT ANY MEDIA)	NO



PROJECTION: SCALE: 1:1
 MATERIAL: INTERFACE CONTROL DRAWING

DATE	NAME	TITLE
DRN. 07.05.2013	CW	DEUBLIN ROTATING UNION DEUBLIN Drehdurchführung
ENGR. 07.05.2013	FD	
APPD.		

NO. 655-502-116
 SHEET A2

UNLESS SPECIFICALLY TOLERANCED, ALL DIMENSIONS ARE CONSIDERED REFERENCE

ISSUE MODIFICATION ECO DATE SIGN