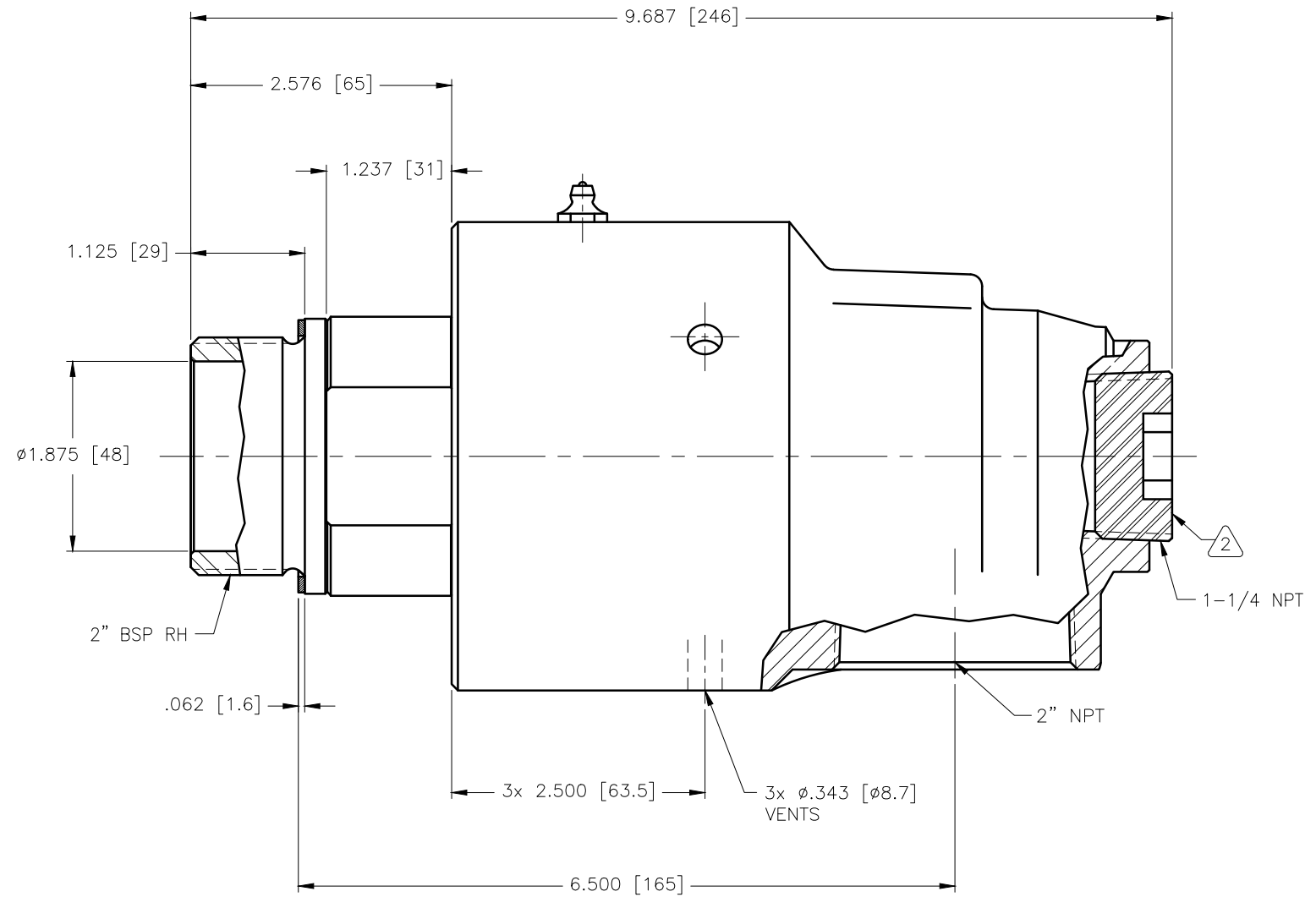
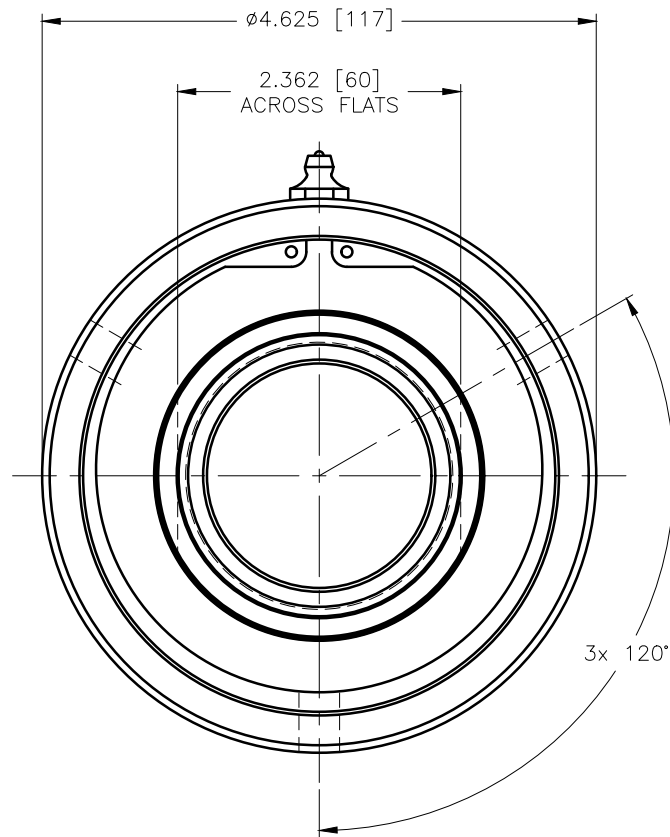


CONFIDENTIAL
 THIS DOCUMENT CONTAINS CONFIDENTIAL AND PROPRIETARY INFORMATION OF DEUBLIN COMPANY. COPYING, USE, TRANSMISSION, DISTRIBUTION, AND DISCLOSURE ARE SUBJECT TO THE TERMS AND CONDITIONS CONTAINED IN YOUR AGREEMENT WITH DEUBLIN COMPANY. ALL RIGHTS RESERVED.

NOTES:

- 1 - WHEN ORDERING FROM DEUBLIN USE PART NUMBER: 655-820-850.
- 2 - PLUG INSTALLED HAND TIGHT FROM FACTORY. IF PORT IS NOT UTILIZED, TIGHTEN BEFORE USE.



OPERATING DATA		
MEDIA	WATER	
MAX WATER PRESSURE	600 PSI	41 bar
MAX WATER TEMP.	320°F	160°C
MAX SPEED	750 RPM	750/min

(A)

SCALE	1:1	DWG SIZE	
DRN	NR	06/23/08	
ENGR	SS	06/23/08	
APPD	SS	06/23/08	
PART NO.	655-820-850		
CUSTOMER			
LET.	REVISION	ECO	DATE SIGN
A	ADDED OPERATING DATA	002354	06/08 NR

UNLESS SPECIFICALLY TOLERANCED, ALL DIMENSIONS ARE REFERENCE
 DIMENSIONS IN [] ARE IN MILLIMETERS.

DEUBLIN COMPANY
 WAUKEGAN, ILLINOIS, U.S.A.

TITLE: INTERFACE CONTROL
 DRAWING OF DEUBLIN
 UNION 655-820-850

DWG NO. 655-820-850
 C.A.D. DRAWING