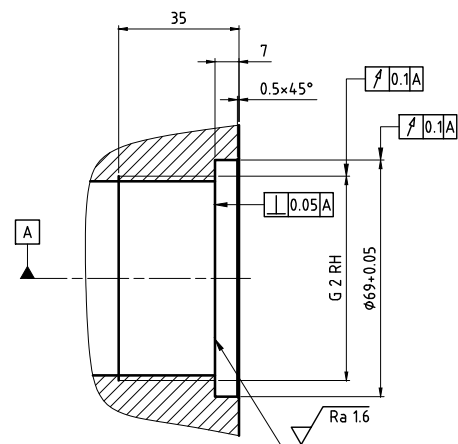
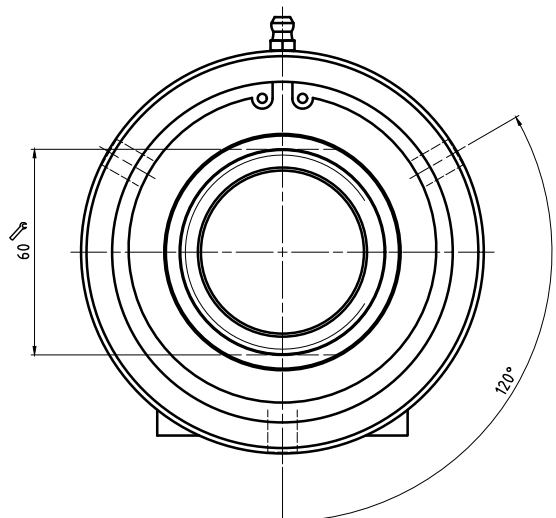
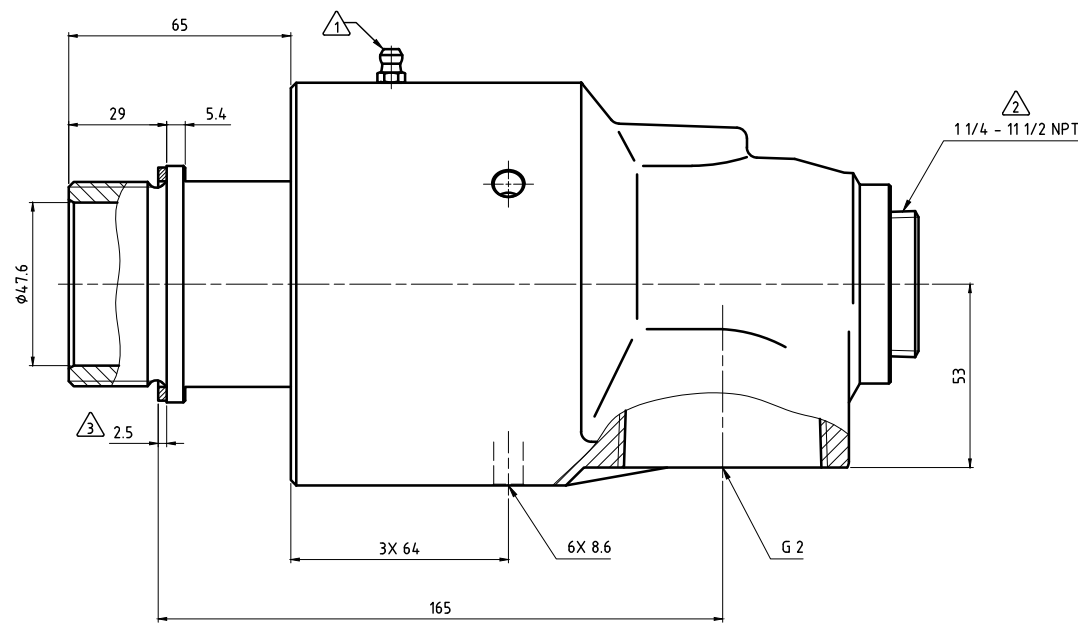
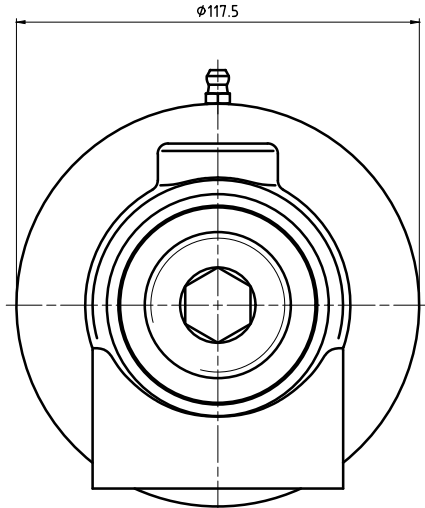
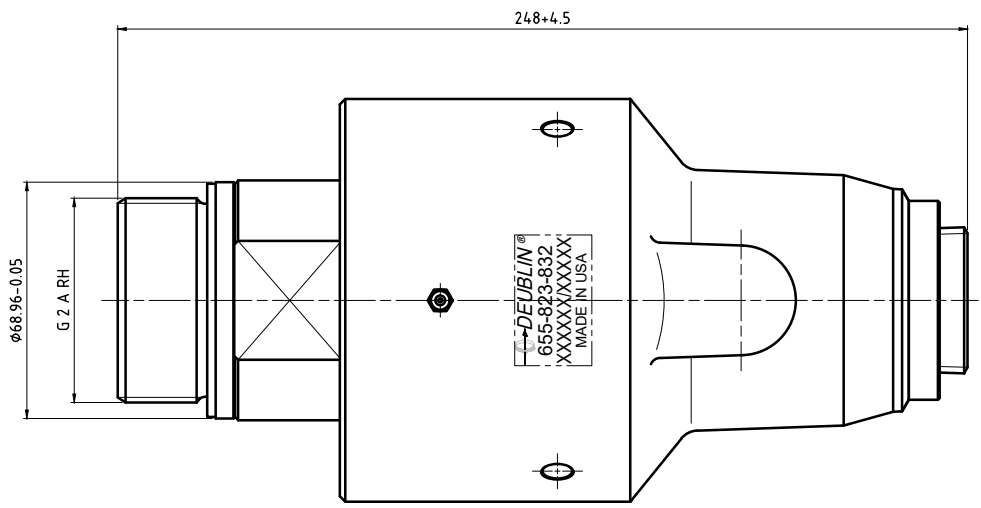


- NOTES:
 1 - GREASE FITTING FOR RELUBRICATION OF BALL BEARINGS PER INSTRUCTION CS0002-ED.
 2 - PLUG INSTALLED HAND TIGHT FROM FACTORY. IF PORT IS NOT UTILIZED, TIGHTEN BEFORE USE.
 3 - GASKET THICKNESS.



CUSTOMER INTERFACE



OPERATING DATA	
MEDIA	HOT OIL
PRESSURE MAX.	10 bar
SPEED MAX.	750 min ⁻¹
TEMPERATURE MAX.	160 °C
DRY RUN (WITHOUT ANY MEDIA)	NO

DEUBLIN
 Engineered for Performance

PROJECTION:

SCALE: 1:1

MATERIAL: INTERFACE CONTROL DRAWING

TITLE: DEUBLIN UNION

NO. 655-823-832

SHEET A2

DATE	NAME	TITLE
DRN 11/16/15	N. Reyna	
ENGR 11/16/15	T. Wilson	
APPD.		

UNLESS SPECIFICALLY TOLERANCED, ALL DIMENSIONS ARE CONSIDERED REFERENCE