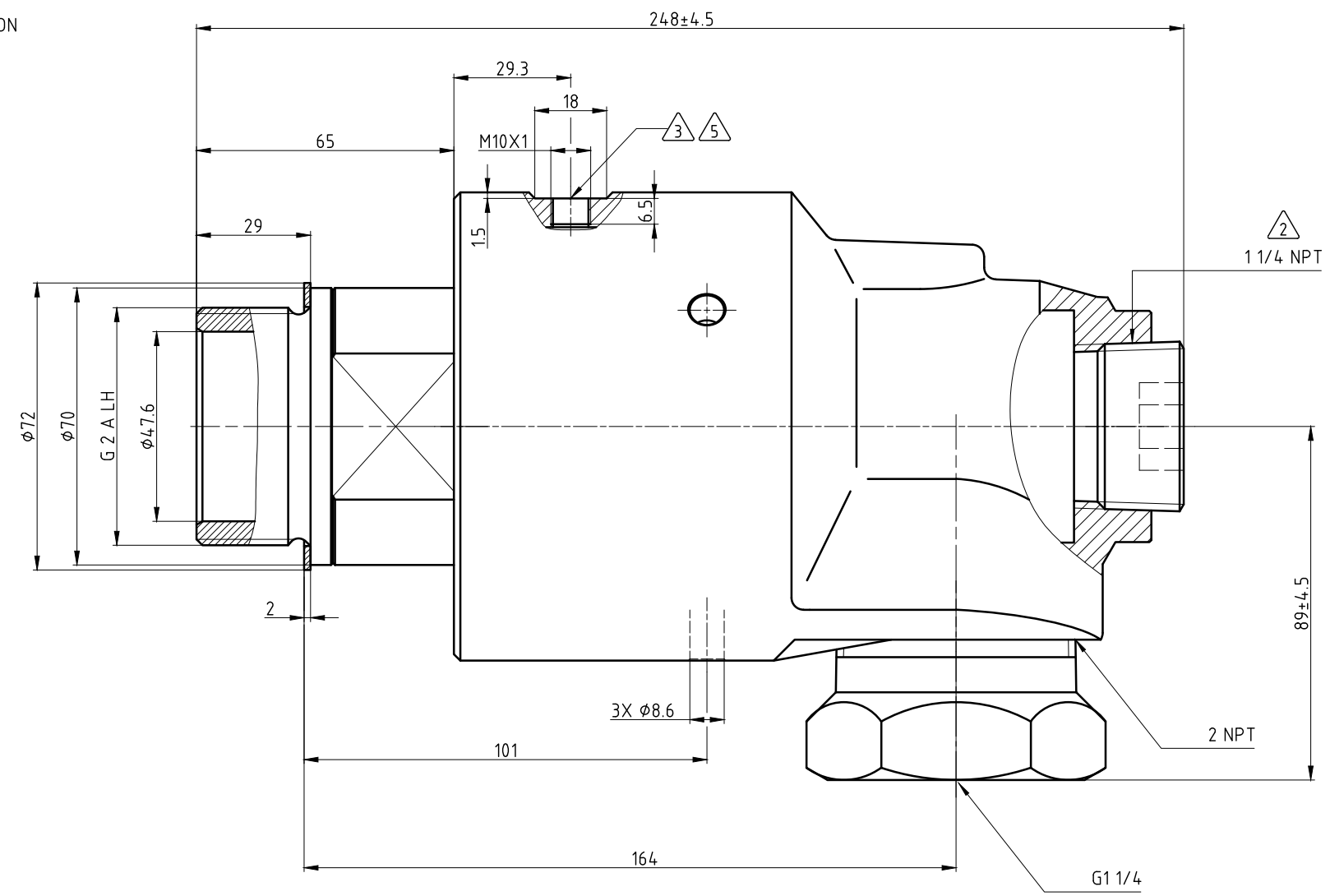
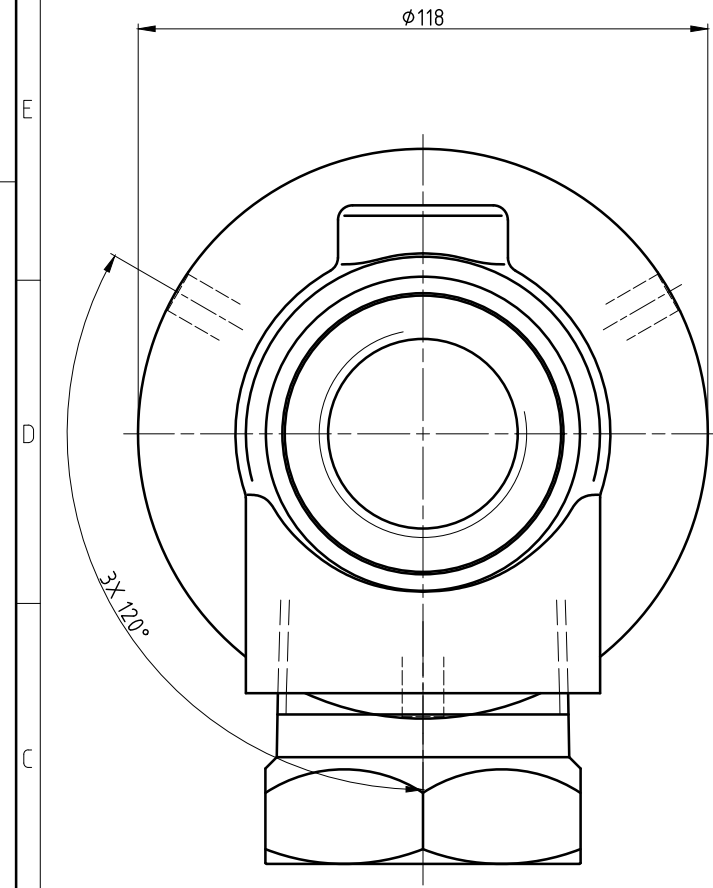


CONFIDENTIAL  
 THIS DOCUMENT CONTAINS CONFIDENTIAL AND PROPRIETARY INFORMATION OF DEUBLIN COMPANY. COPYING, USE, TRANSMISSION, DISTRIBUTION, AND DISCLOSURE ARE SUBJECT TO THE TERMS AND CONDITIONS CONTAINED IN YOUR AGREEMENT WITH DEUBLIN COMPANY. ALL RIGHTS RESERVED.

CHINA NOTES:

- 1 - CONTACT DEUBLIN OR VISIT WWW.DEUBLIN.COM FOR INSTRUCTION MANUAL: 040-550
- 2 - PLUG INSTALLED HAND TIGHT FROM FACTORY. IF PORT IS NOT UTILIZED, TIGHTEN BEFORE USE.
- 3 - BALL BEARINGS GREASED WITH HIGH TEMPERATURE GREASE
- 4 - SEALING OF LOOSELY ENCLOSED ADAPTERS ACCORDING INSTRUCTION 040-731
- 5 - RELUBRICATION OF BALL BEARINGS ACCORDING 040-723 RELUBRICATION INSTRUCTION



OPERATING DATA	
MEDIA	WATER
PRESSURE MAX.	10 bar
SPEED MAX.	750 min <sup>-1</sup>
TEMPERATURE MAX.	160 °C
DRY RUN (WITHOUT ANY MEDIA)	NO

**DEUBLIN**  
 Engineered for Performance

PROJECTION:

SCALE: 1:1

MATERIAL: INTERFACE CONTROL DRAWING

TITLE: DEUBLIN ROTATING UNION  
 DEUBLIN Drehdurchführung

NO. 655-969-125

SHEET A2

DATE	NAME
DRN. 02.05.2012	AF
ENGR. 02.05.2012	FD
APPD.	

ISSUE	MODIFICATION	ECO	DATE	SIGN
C	REBRAM/UPDATE TO MS	018015	05/12	AF

UNLESS SPECIFICALLY TOLERANCED, ALL DIMENSIONS ARE CONSIDERED REFERENCE