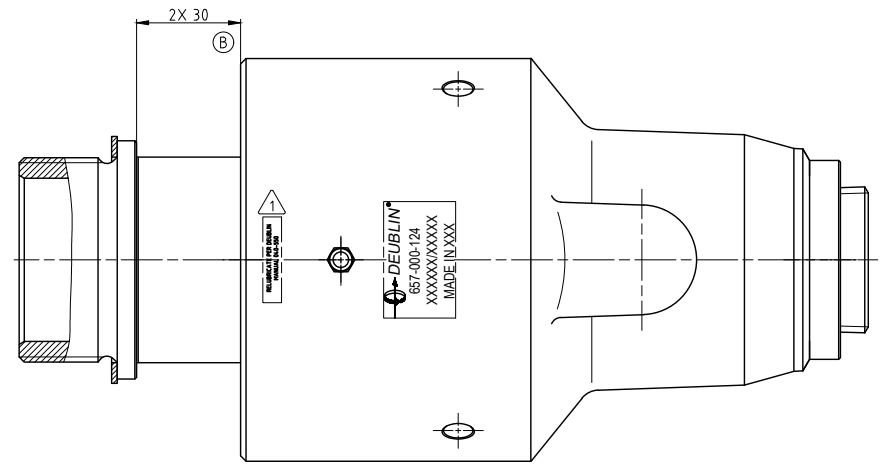
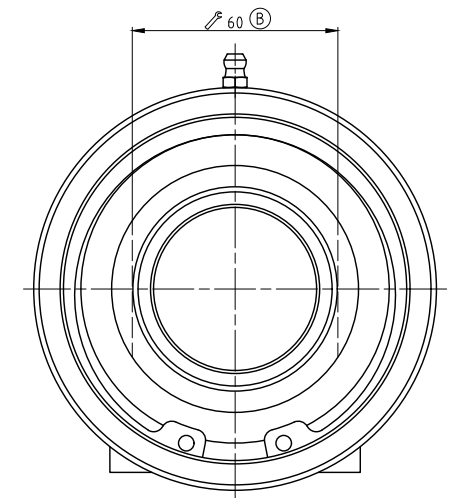
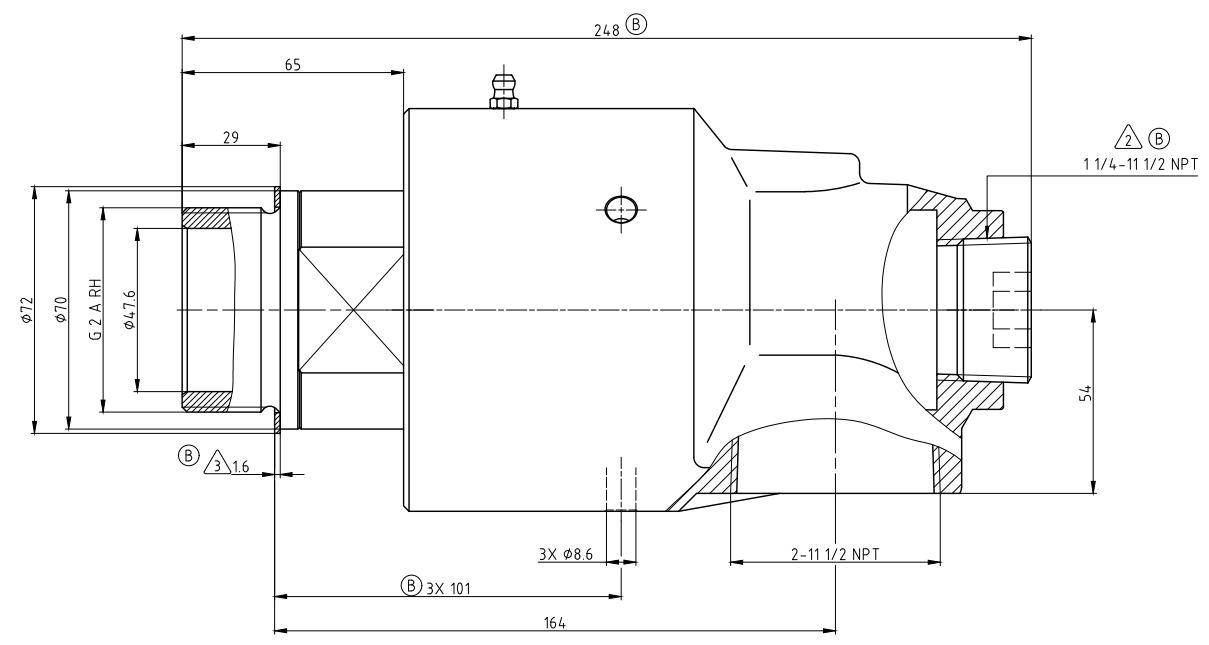
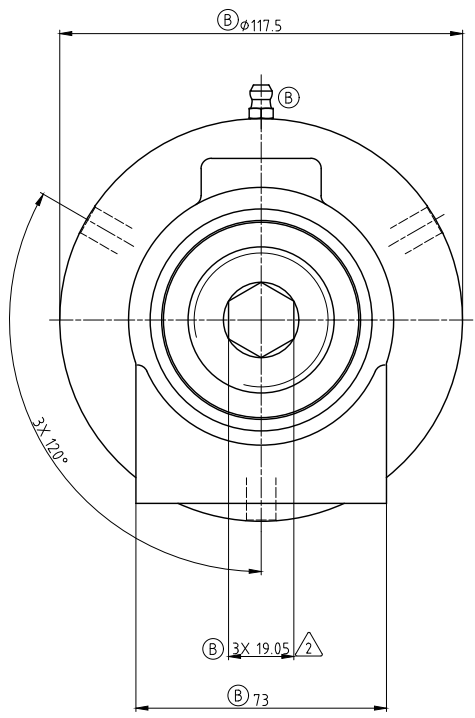


NOTES:
 ▲ - CONTACT DEUBLIN OR VISIT WWW.DEUBLIN.COM FOR INSTRUCTION MANUAL: 040-550

▲ - PLUG INSTALLED HAND TIGHT FROM FACTORY. IF PORT IS NOT UTILIZED, TIGHTEN BEFORE USE.

ⓑ ③ - GASKET THICKNESS.



OPERATING DATA			
MEDIA	WATER	SATURATED STEAM (INTERMITTENT)	THERMAL OIL
PRESSURE MAX.	20 bar	1 bar	6.6 bar
SPEED MAX.	750 min ⁻¹		
TEMPERATURE MAX.	121 °C		
DRY RUN (WITHOUT ANY MEDIA)	NO		
ⓑ RECOMMENDED FILTRATION	60 micron		

		PROJECTION:	SCALE: 1:1
MATERIAL: INTERFACE CONTROL DRAWING		DATE: 02.05.2012	NAME: AF
TITLE: DEUBLIN ROTATING UNION		ENGR: 02.05.2012	NAME: CW
TITLE: DEUBLIN Drehdurchführung		APPD:	
NO. 657-001-124		SHEET A2	
UNLESS SPECIFICALLY TOLERANCED, ALL DIMENSIONS ARE CONSIDERED REFERENCE			