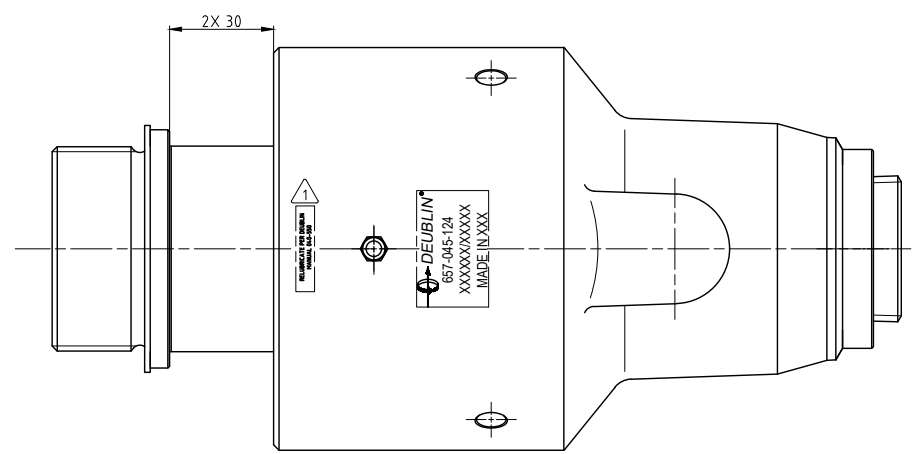
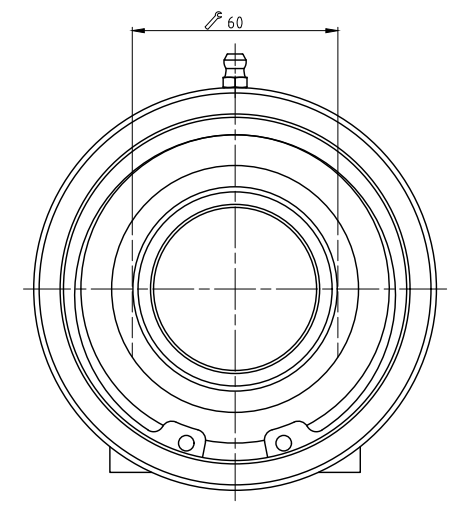
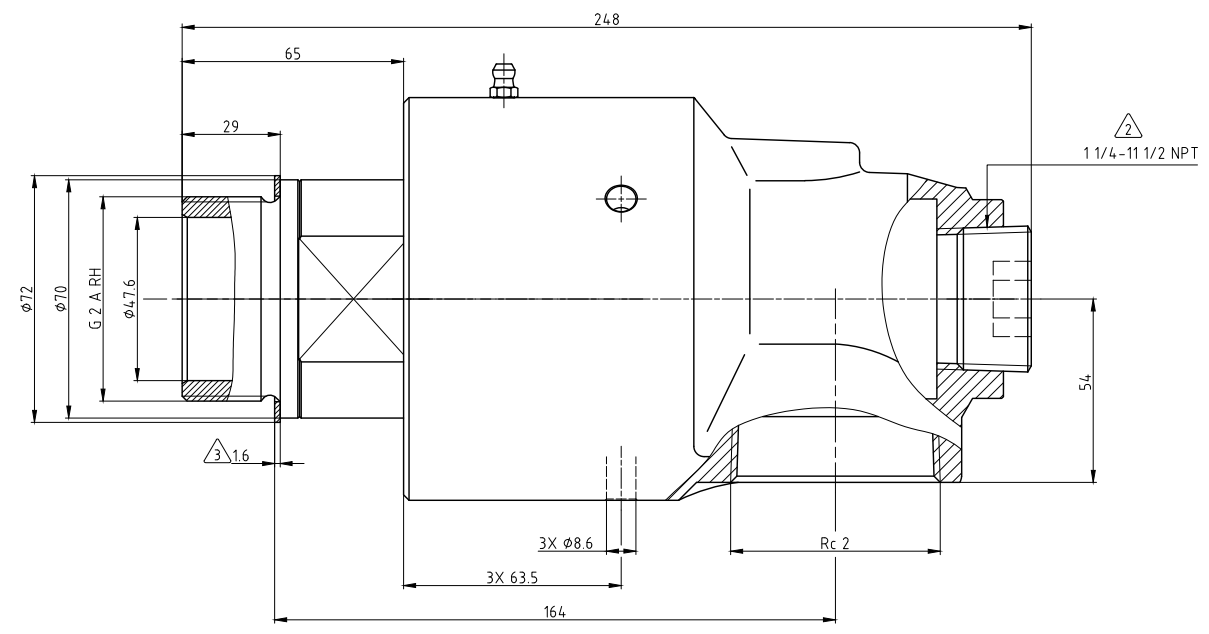
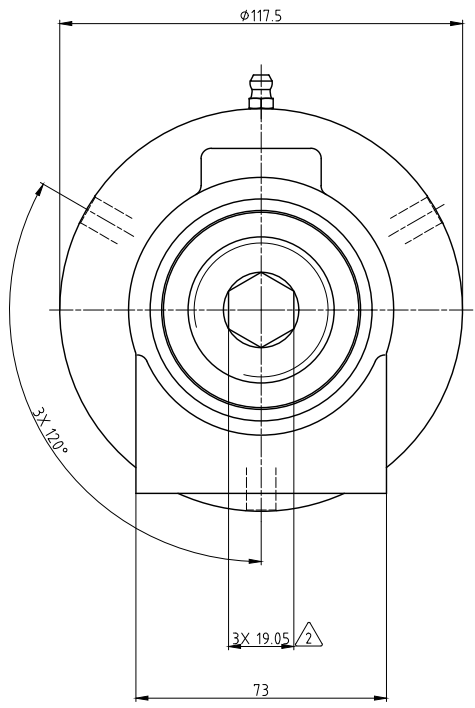


NOTES:
 1 - CONTACT DEUBLIN OR VISIT WWW.DEUBLIN.COM FOR INSTRUCTION MANUAL: 040-550

2 - PLUG INSTALLED HAND TIGHT FROM FACTORY. IF PORT IS NOT UTILIZED, TIGHTEN BEFORE USE.
 3 - GASKET THICKNESS.



OPERATING DATA			
MEDIA	WATER	SATURATED STEAM (INTERMITTENT)	THERMAL OIL
PRESSURE MAX.	20 bar	1 bar	6.6 bar
SPEED MAX.	750 min ⁻¹		
TEMPERATURE MAX.	121 °C		
DRY RUN (WITHOUT ANY MEDIA)	NO		
RECOMMENDED FILTRATION	60 micron		

	PROJECTION	SCALE: 1:1
	MATERIAL	INTERFACE CONTROL DRAWING
DATE	NAME	TITLE
DRN: 06.12.2022	MZe	DEUBLIN ROTATING UNION
ENGR: 06.12.2022	RMika	DEUBLIN Drehdurchführung
APPD.		
NO.	657-045-124	
A	UPDATE TO	63072
ISSUE	ECO	12/22
	DATE	MZe
	SIGN	
UNLESS SPECIFICALLY TOLERANCED, ALL DIMENSIONS ARE CONSIDERED REFERENCE		
		SHEET A1