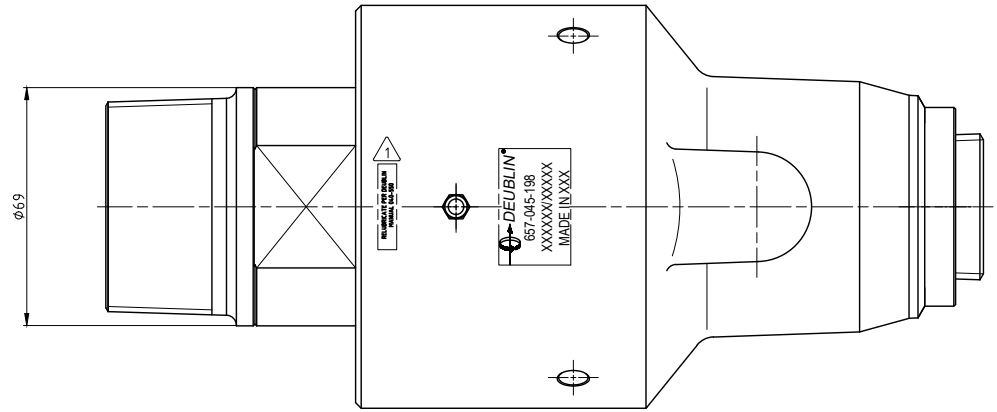
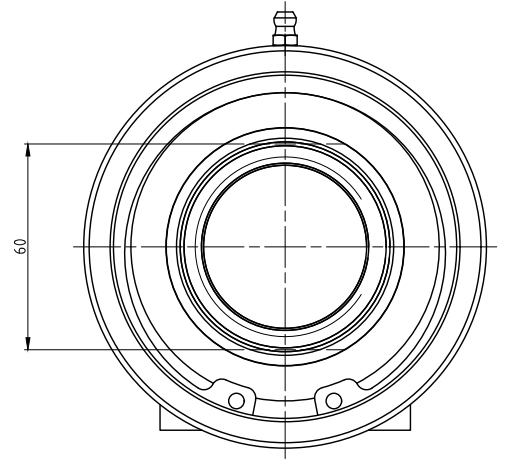
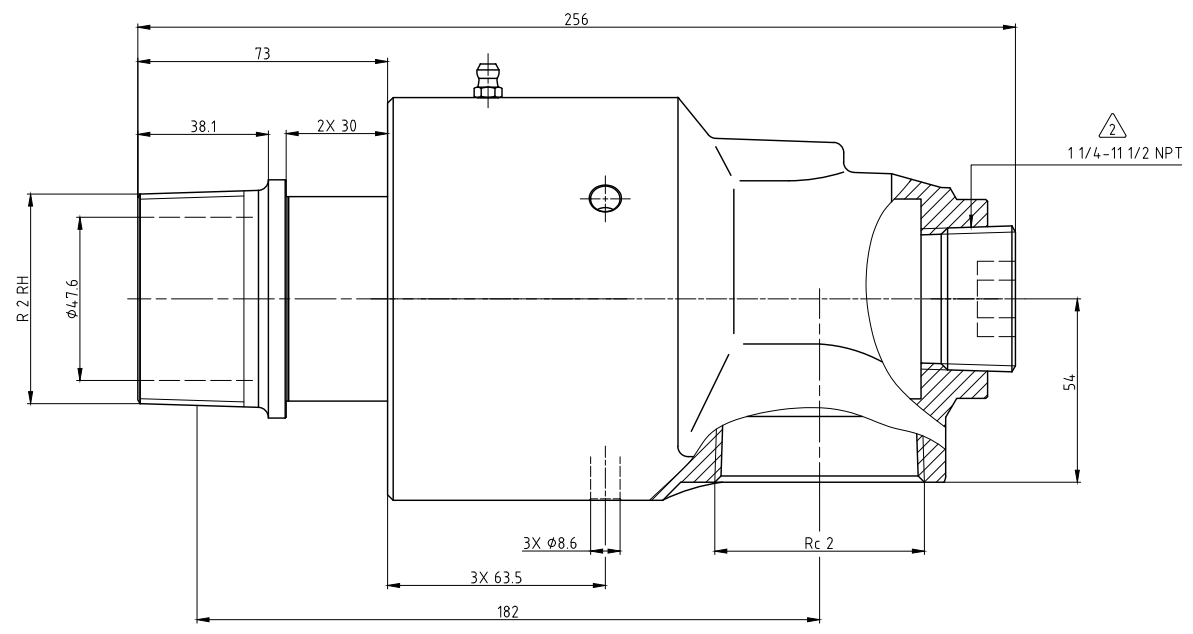
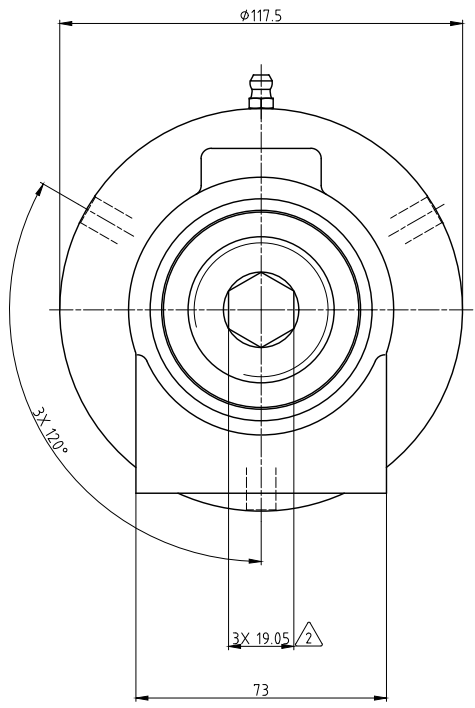


NOTES:  
 △ - CONTACT DEUBLIN OR VISIT WWW.DEUBLIN.COM  
 FOR INSTRUCTION MANUAL: 040-550  
 △ - PLUG INSTALLED HAND TIGHT FROM FACTORY. IF PORT IS NOT UTILIZED,  
 TIGHTEN BEFORE USE.



OPERATING DATA			
MEDIA	WATER	SATURATED STEAM (INTERMITTENT)	THERMAL OIL
PRESSURE MAX.	20 bar	1 bar	6.6 bar
SPEED MAX.	750 min <sup>-1</sup>		
TEMPERATURE MAX.	121 °C		
DRY RUN (WITHOUT ANY MEDIA)	NO		
RECOMMENDED FILTRATION	60 micron		

	PROJECTION	SCALE: 1:1	MATERIAL: INTERFACE CONTROL DRAWING TITLE: DEUBLIN ROTATING UNION DEUBLIN Drehdurchführung NO. 657-045-198 SHEET A1	
	DATE	NAME		
	DRN: 06.12.2022	MZe		
	ENGR: 06.12.2022	RMika		
APPD.				
ISSUE/	MODIFICATION	ECO	DATE	SIGN
A	UPDATE TO MS	63072	12/22	MZe

UNLESS SPECIFICALLY TOLERANCED, ALL DIMENSIONS ARE CONSIDERED REFERENCE