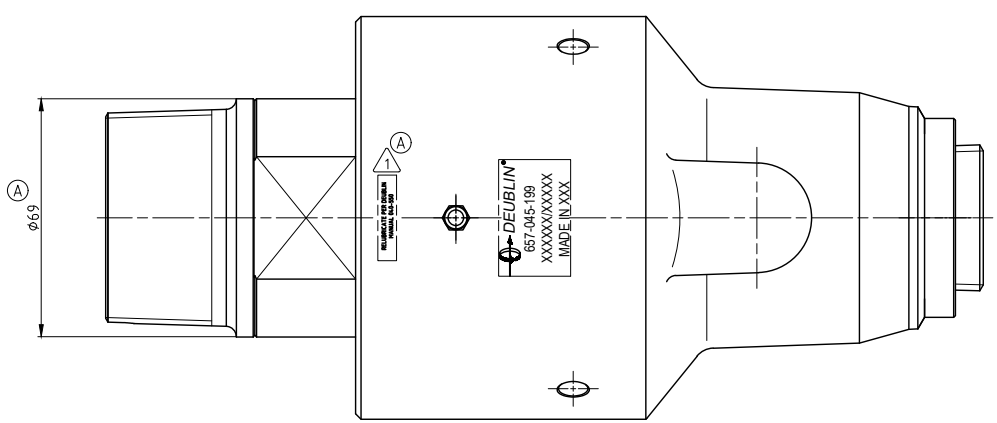
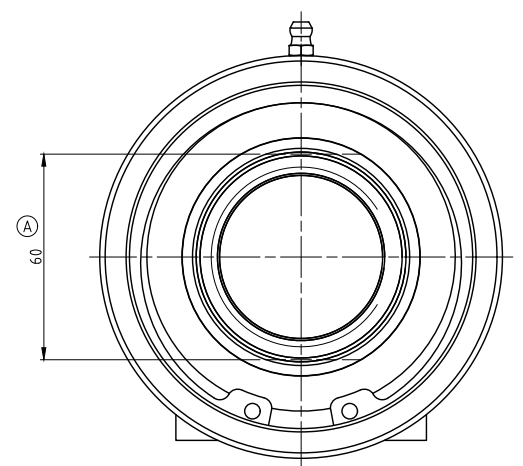
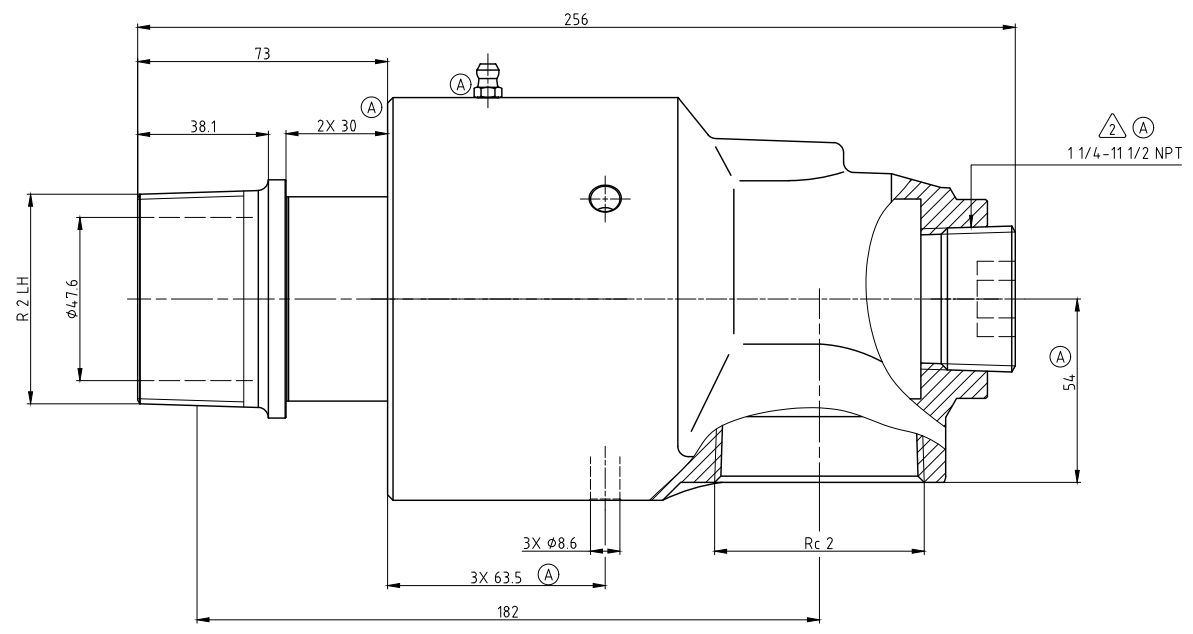
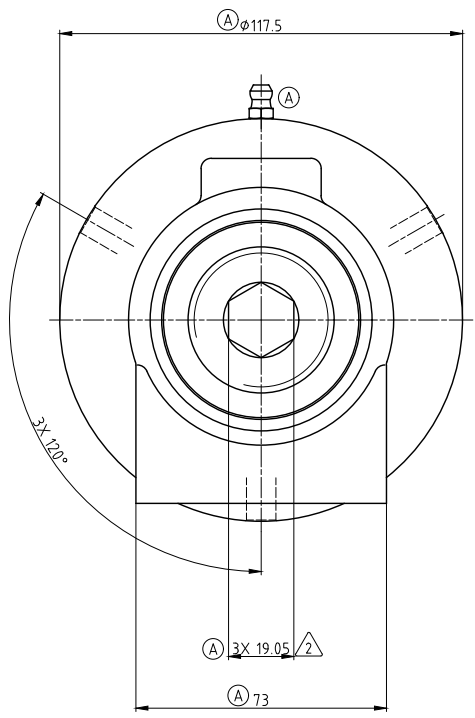


NOTES: (A)

△ - CONTACT DEUBLIN OR VISIT WWW.DEUBLIN.COM
 FOR INSTRUCTION MANUAL: 040-550

△ - PLUG INSTALLED HAND TIGHT FROM FACTORY. IF PORT IS NOT UTILIZED,
 TIGHTEN BEFORE USE.



OPERATING DATA			
MEDIA	WATER	SATURATED STEAM (INTERMITTENT)	THERMAL OIL
PRESSURE MAX.	20 bar	1 bar	6.6 bar
SPEED MAX.	750 min ⁻¹		
TEMPERATURE MAX.	121 °C		
DRY RUN (WITHOUT ANY MEDIA)	NO		
(A) RECOMMENDED FILTRATION	60 micron		

	PROJECTION	SCALE: 1:1	
	MATERIAL	INTERFACE CONTROL DRAWING	
DATE	NAME	TITLE	DEUBLIN ROTATING UNION DEUBLIN Drehdurchführung
DRN: 07/31/19	N. Reyna	NO.	
ENGR: 07/31/19	T. Wilson	657-045-199	
APPD.			SHEET A2
UNLESS SPECIFICALLY TOLERANCED, ALL DIMENSIONS ARE CONSIDERED REFERENCE			