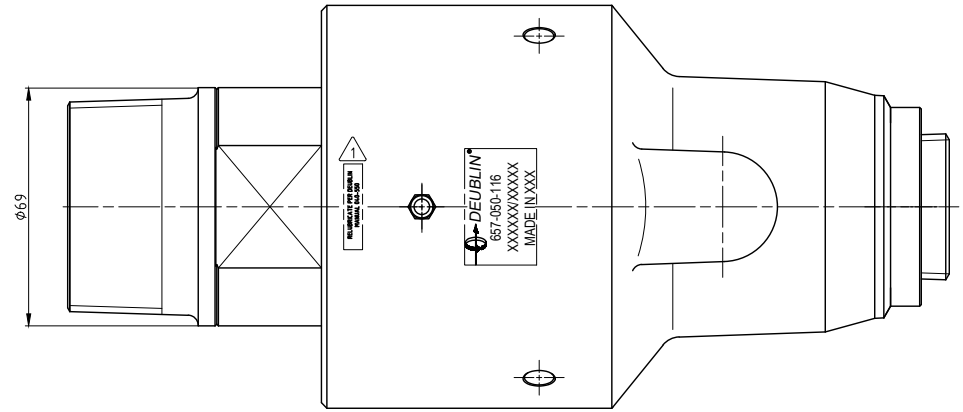
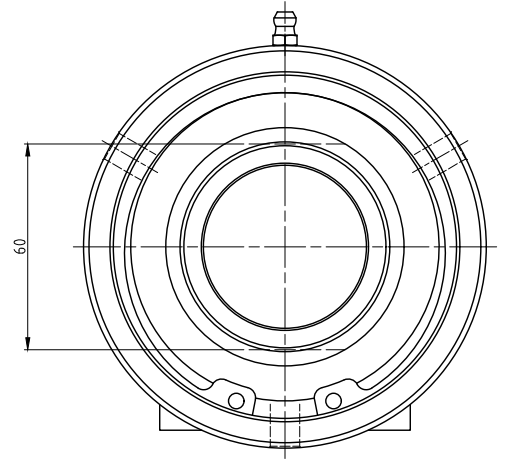
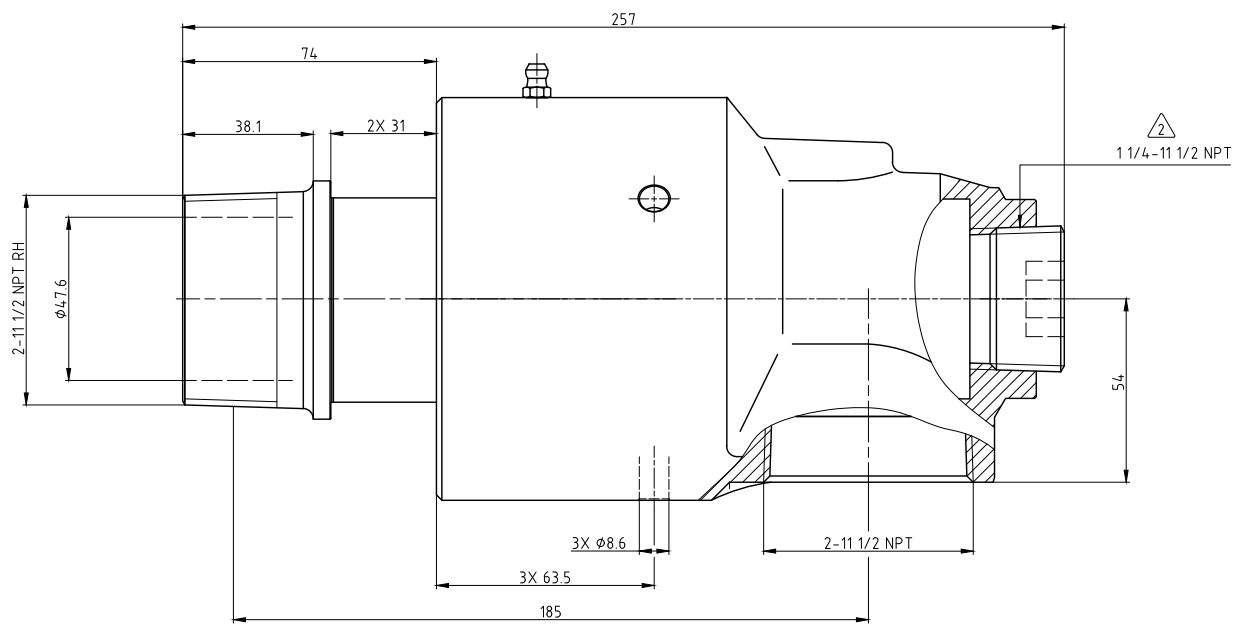
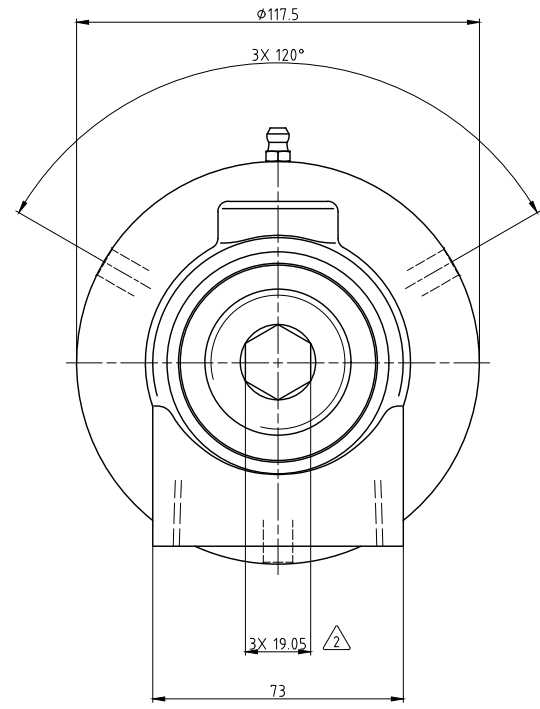


NOTES:
 △ - CONTACT DEUBLIN OR VISIT WWW.DEUBLIN.COM
 FOR INSTRUCTION MANUAL: 040-550
 △ - PLUG INSTALLED HAND TIGHT FROM FACTORY. IF PORT IS NOT UTILIZED,
 TIGHTEN BEFORE USE.



| OPERATING DATA | | |
|-----------------------------|-----------------------|-------------|
| MEDIA | WATER | THERMAL OIL |
| PRESSURE MAX. | 20 bar | 6.6 bar |
| SPEED MAX. | 750 min ⁻¹ | |
| TEMPERATURE MAX. | 93 °C | |
| DRY RUN (WITHOUT ANY MEDIA) | NO | |
| RECOMMENDED FILTRATION | 60 micron | |

| | | |
|---|-------------------------------------|---|
| | PRODUCTION | SCALE: 1:1 |
| | MATERIAL: INTERFACE CONTROL DRAWING | TITLE: DEUBLIN ROTATING UNION DEUBLIN Drehdurchführung |
| DRN: 06.12.2022 | NAME: MZ | NO. 657-050-116 |
| ENGR: 06.12.2022 | MSK | |
| APPD. | | SHEET A2 |
| A | UPDATE TO MS | 63072 |
| ISSUE/MODIFICATION | ECO | DATE |
| | | 12/22 |
| | | MZ |
| UNLESS SPECIFICALLY TOLERANCED, ALL DIMENSIONS ARE CONSIDERED REFERENCE | | |