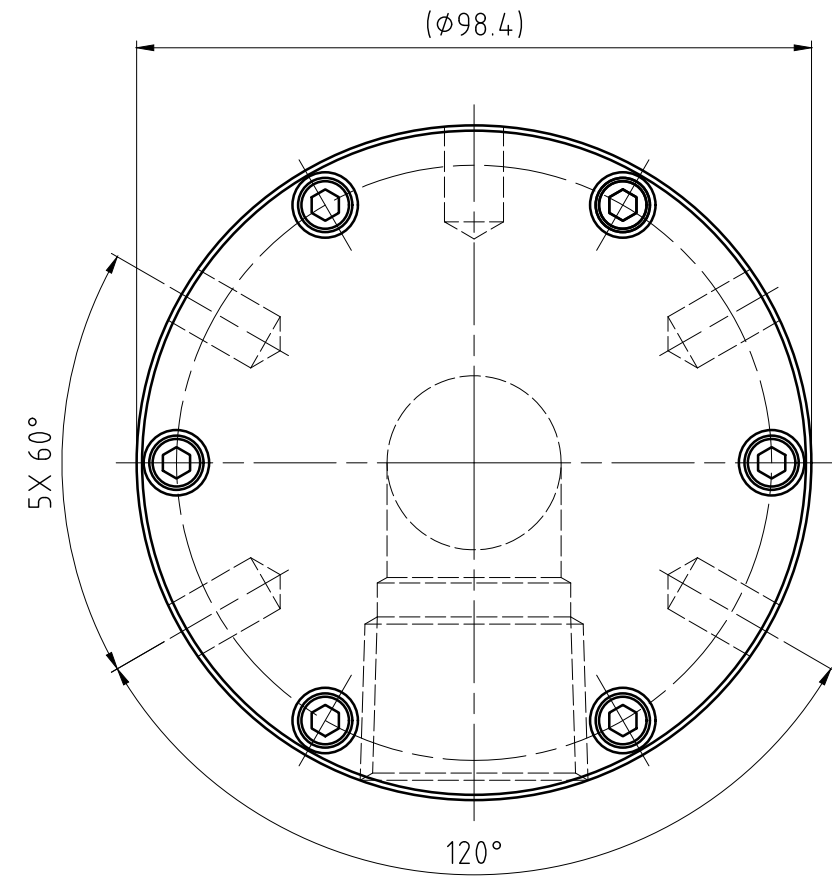
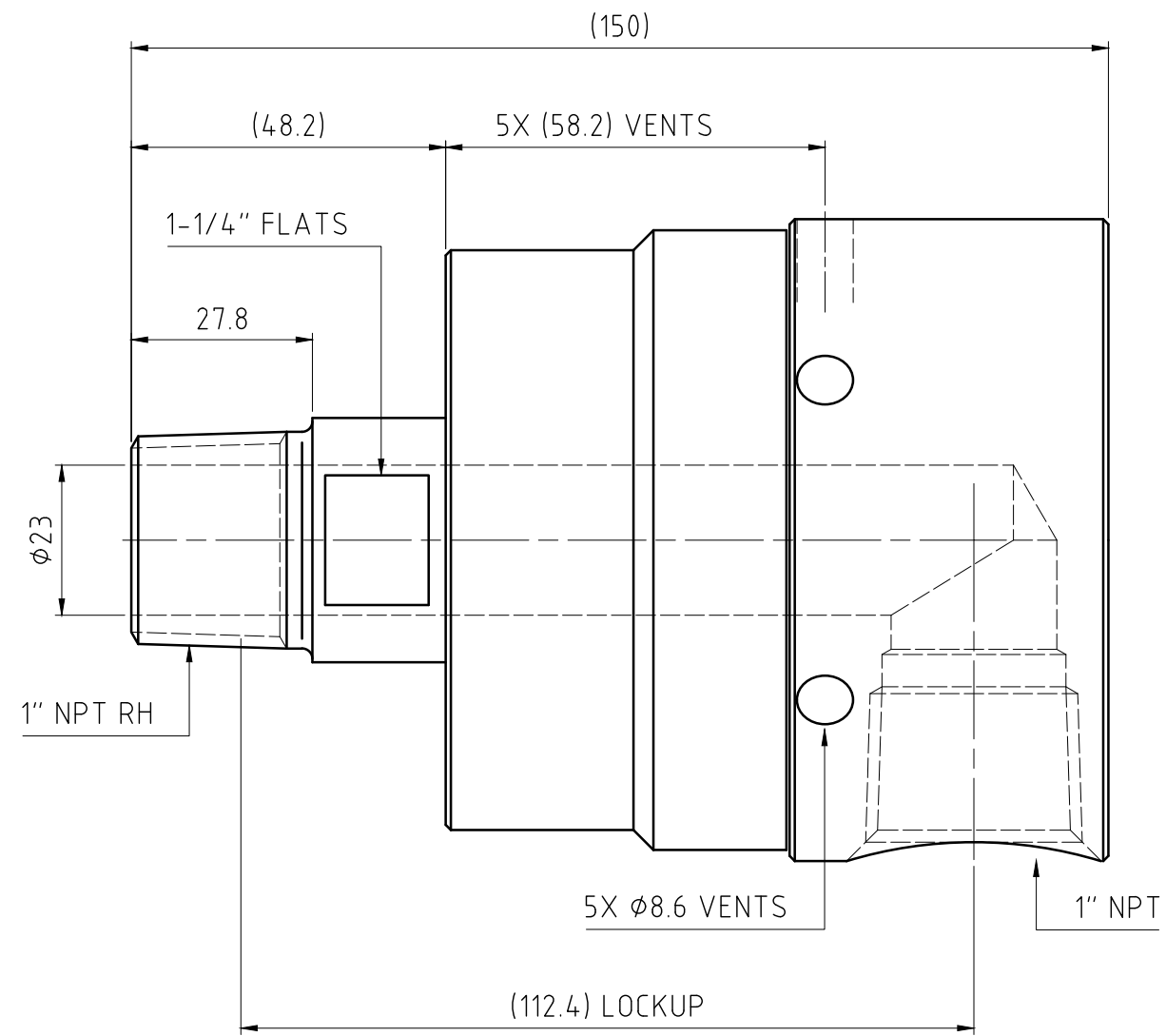
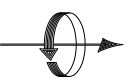
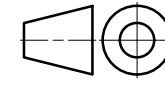


CONFIDENTIAL  
 THIS DOCUMENT CONTAINS CONFIDENTIAL AND PROPRIETARY  
 INFORMATION OF DEUBLIN COMPANY. COPYING, USE,  
 TRANSMISSION, DISTRIBUTION, AND DISCLOSURE ARE SUBJECT  
 TO THE TERMS AND CONDITIONS CONTAINED IN YOUR  
 AGREEMENT WITH DEUBLIN COMPANY. ALL RIGHTS RESERVED.



**OPERATING DATA:**  
 BENTONITE DRILLING MUD  
 138 bar MAX. PRESSURE  
 300 RPM MAX. SPEED  
 174 L/min MAX. FLOW

 <b>DEUBLIN COMPANY</b> WAUKEGAN, ILLINOIS, U.S.A.		PROJECTION:	SCALE: 1:1
			MATERIAL:
		DATE	NAME
		DRN. 11/24/2008	GA
		ENGR. 11/24/08	GA
		APPD.	
		TITLE: INTERFACE CONTROL DRAWING	
		DEUBLIN UNION 73010-001-101	
		NO.	SHEET
		73010-001-101	
UNLESS SPECIFICALLY TOLERANCED, ALL DIMENSIONS ARE CONSIDERED REFERENCE			
ISSUE	MODIFICATION	ECO	DATE SIGN