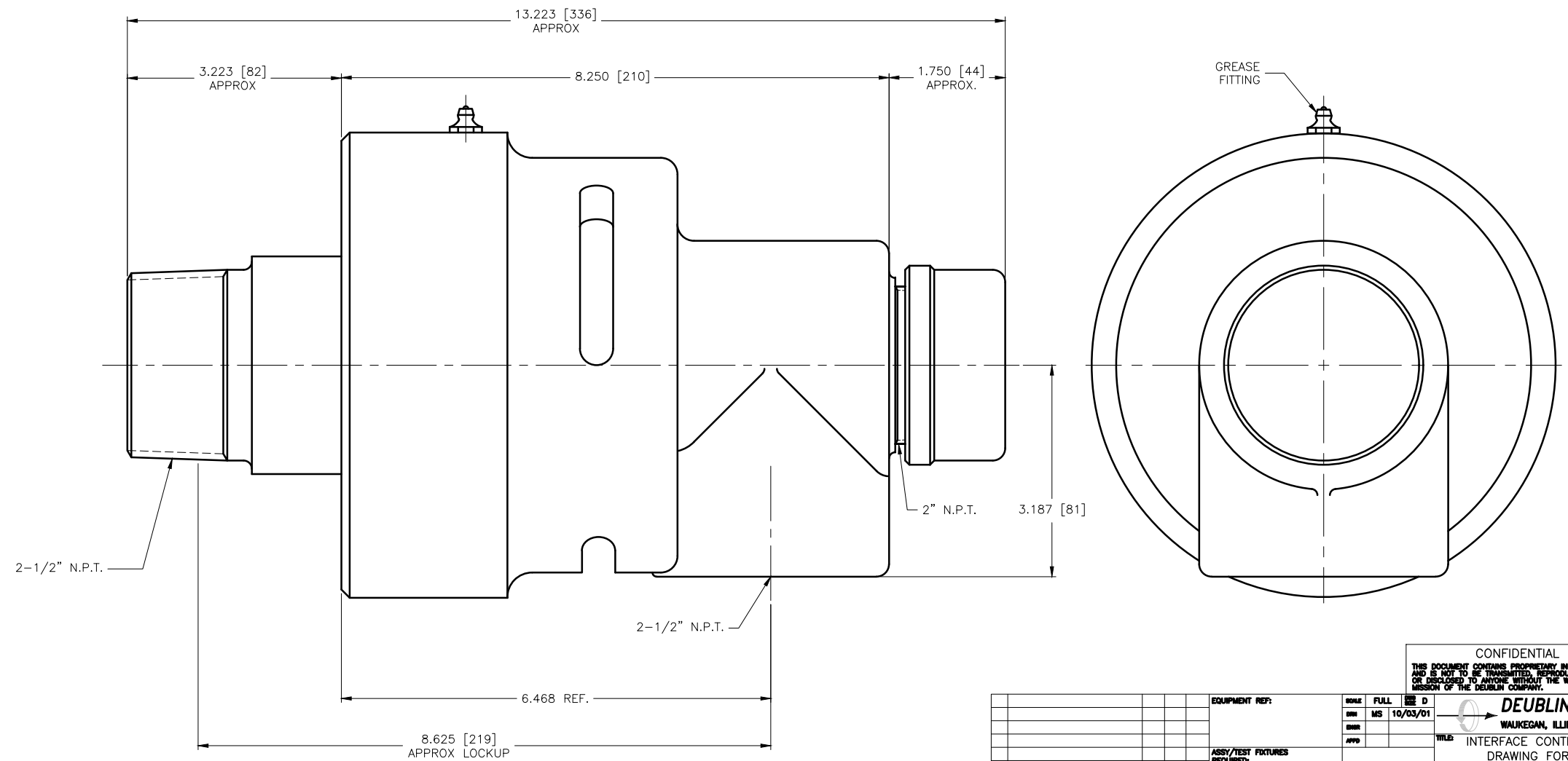
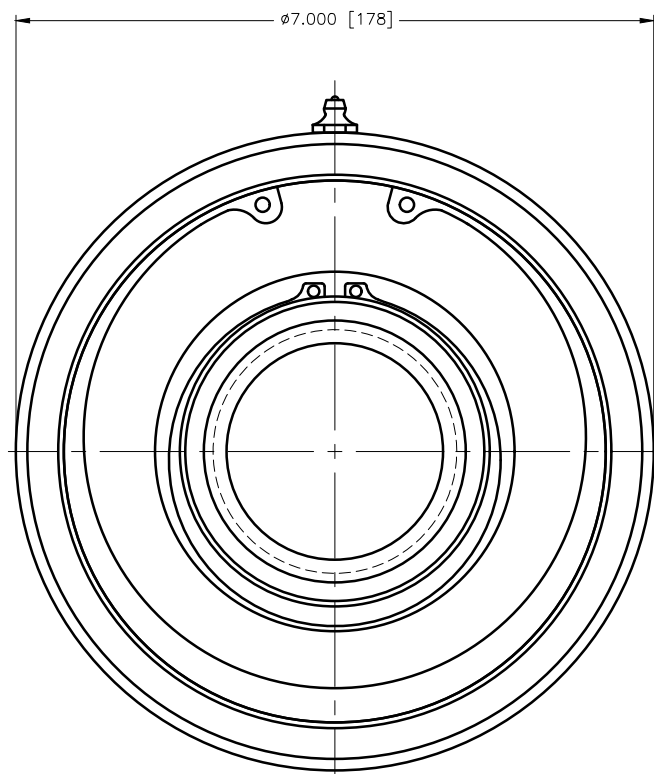
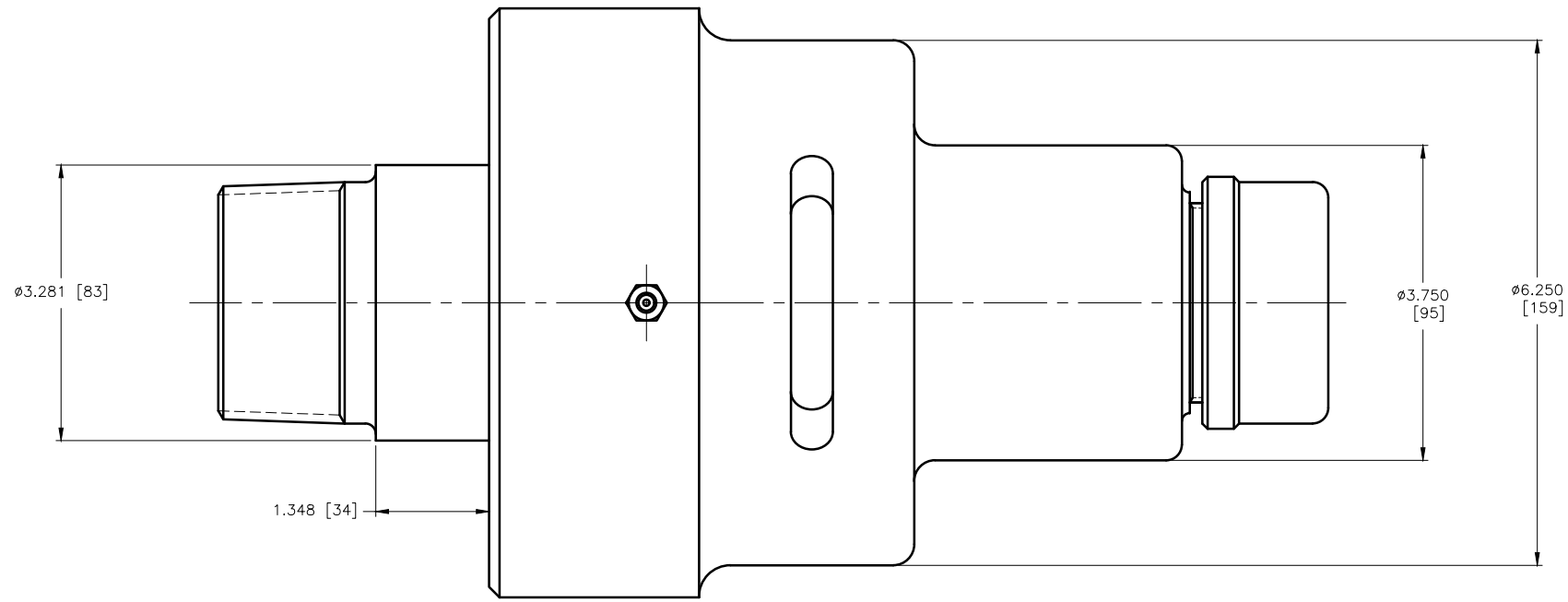


NOTES:
1 - WHEN ORDERING FROM DEUBLIN USE PART NUMBER 755-700-413.



OPERATING DATA		
MEDIA	WATER/INTERMITTENT STEAM	
MAX WATER PRESSURE	200 PSI	14 bar
MAX STEAM PRESSURE	15 PSI	1 bar
MAX TEMPERATURE	250°F	121°C
MAX SPEED	750 RPM	750/min

A

LET.	REVISION	ADD DATE	BY
A	ADDED OPERATING DATA	8458 07/07	NR

EQUIPMENT REF:	SIZE	FULL	D
	MS	10/03/01	
ASSY/TEST FIXTURES REQUIRED:			

UNTOLERANCED DIMENSIONS ±.010 DECIMALS AS SPECIFIED. DIMENSIONS IN [] ARE IN MILLIMETERS.

CONFIDENTIAL
THIS DOCUMENT CONTAINS PROPRIETARY INFORMATION AND IS NOT TO BE TRANSMITTED, REPRODUCED, USED OR DISCLOSED TO ANYONE WITHOUT THE WRITTEN PERMISSION OF THE DEUBLIN COMPANY.

DEUBLIN COMPANY
WAUKEGAN, ILLINOIS, U.S.A.

WELD: INTERFACE CONTROL DRAWING FOR DEUBLIN UNION

NO. 755-700-413-IC