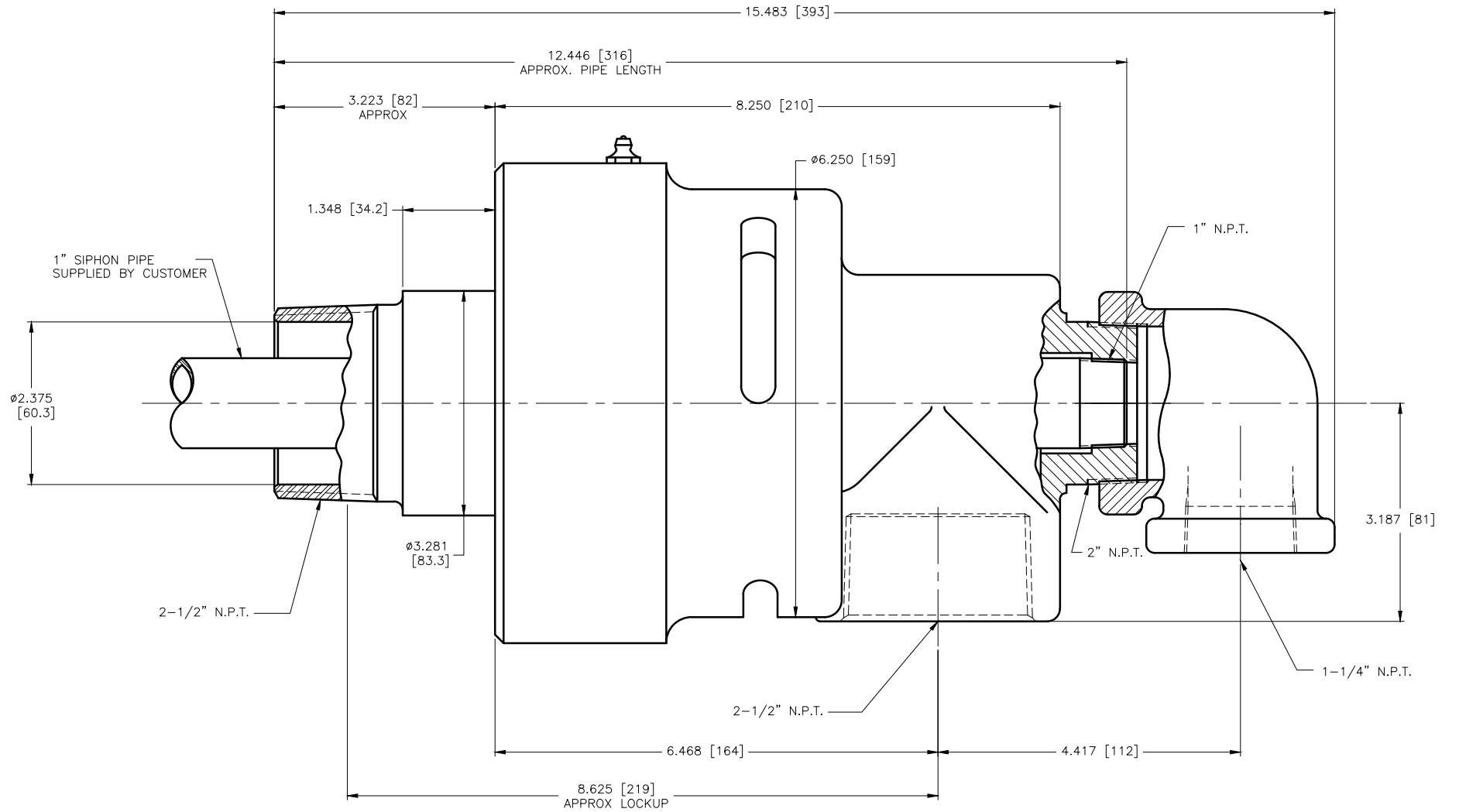
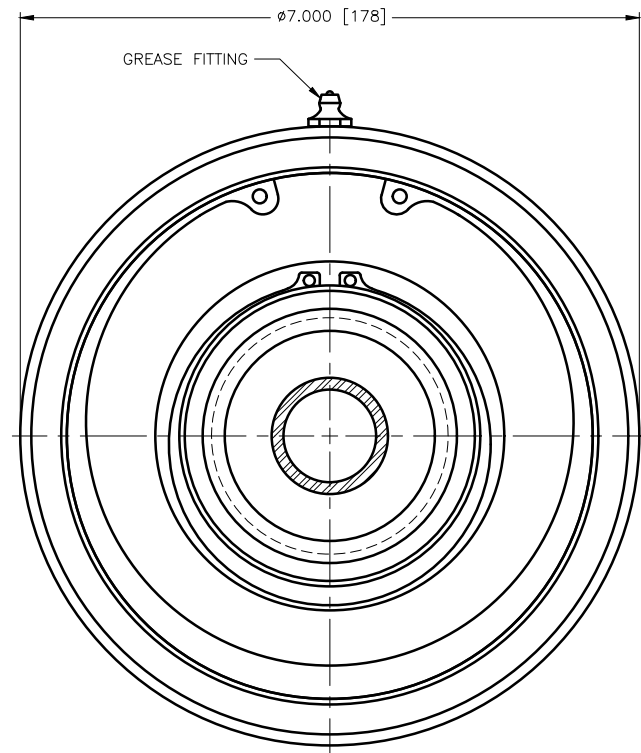


NOTES:
 1 - WHEN ORDERING FROM DEUBLIN USE PART NUMBER: 755-700-413-117.
 2 - TORQUE AT 120 PSI/8.2 bar IS 4 FT/LBS (5.42 Nm).



OPERATING DATA		
MEDIA	WATER/INTERMITTENT STEAM	
MAX WATER PRESSURE	200 PSI	14 bar
MAX STEAM PRESSURE	15 PSI	1 bar
MAX TEMPERATURE	250°F	121°C
MAX SPEED	750 RPM	750/min

SCALE	1"=1" 0	UNLESS SPECIFICALLY TOLERANCED, ALL DIMENSIONS ARE REFERENCE DIMENSIONS IN [] ARE IN MILLIMETERS.	DEUBLIN COMPANY WAUKEGAN, ILLINOIS, U.S.A. TITLE: INTERFACE CONTROL DRAWING OF DEUBLIN UNION 755-700-413-117 DWG NO. 755-700-413-117-IC	
REV	LD 07/24/06			
APP	SS 07/24/06			
PART NO.	755-700-413-117			
CUSTOMER				
REV.	REVISION	EDD	DATE	SIGN