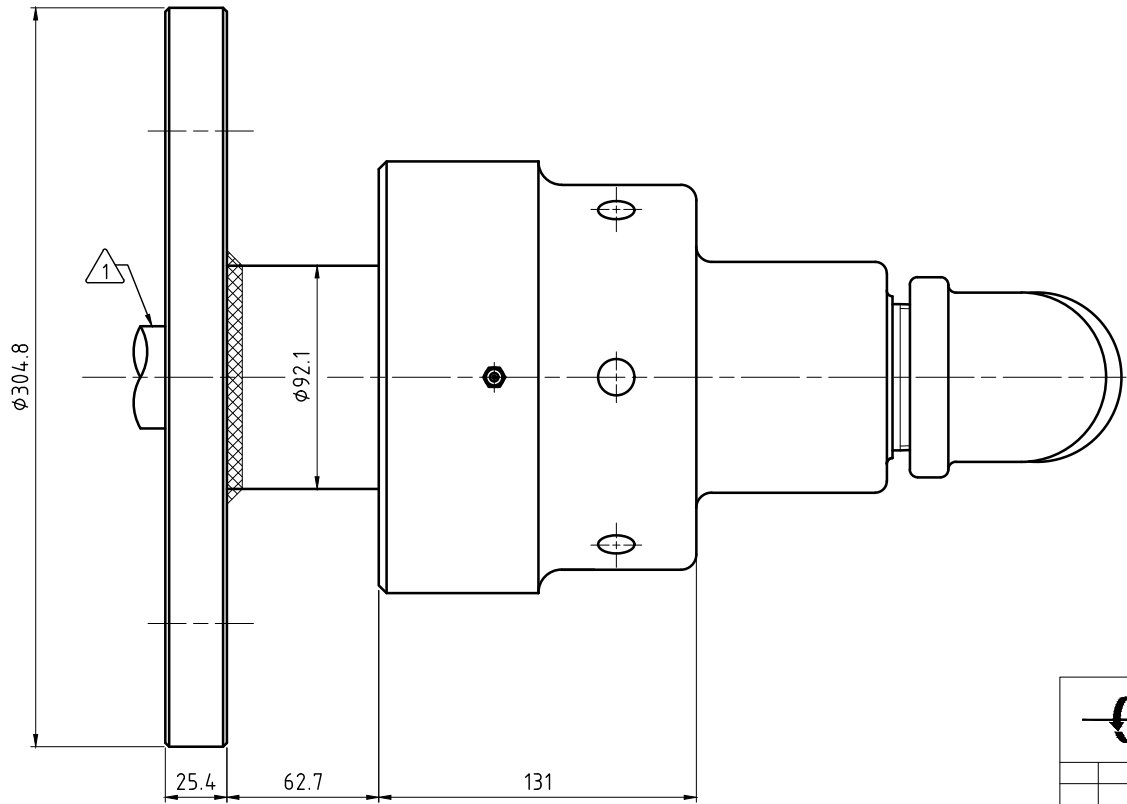
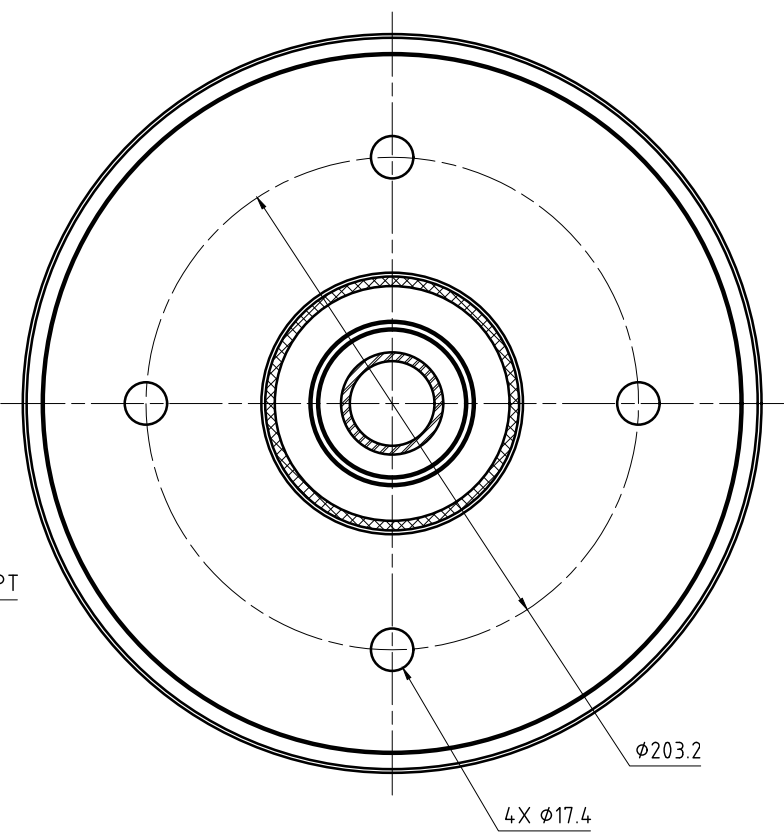
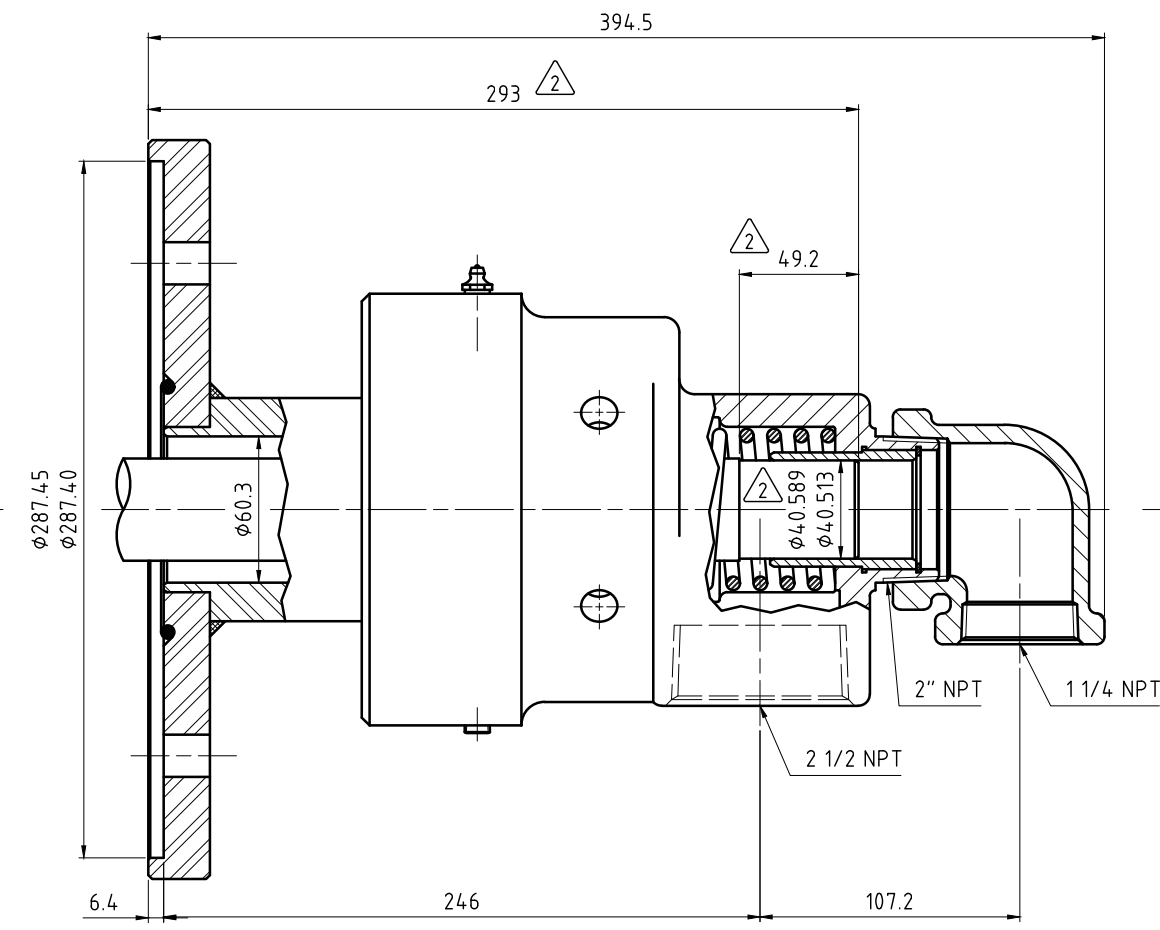
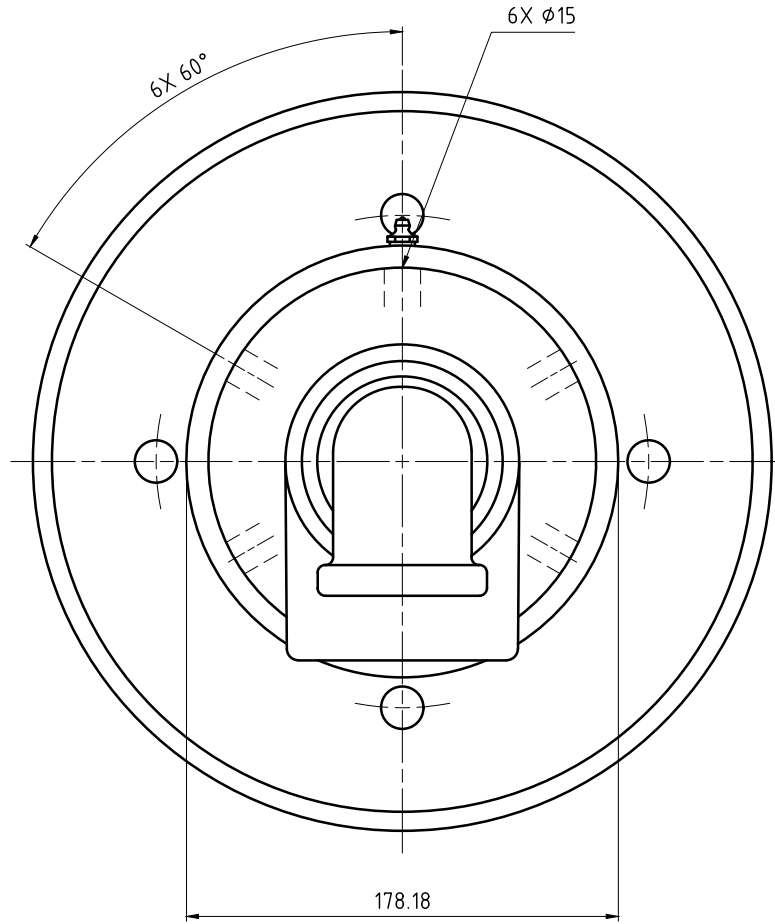


CONFIDENTIAL  
 THIS DOCUMENT CONTAINS CONFIDENTIAL AND PROPRIETARY  
 INFORMATION OF DEUBLIN COMPANY. COPYING, USE,  
 TRANSMISSION, DISTRIBUTION, AND DISCLOSURE ARE SUBJECT  
 TO THE TERMS AND CONDITIONS CONTAINED IN YOUR  
 AGREEMENT WITH DEUBLIN COMPANY. ALL RIGHTS RESERVED.

NOTES:

- ① - PIPE SUPPLIED BY CUSTOMER. PIPE SIZE: 1 1/4
- ② - PIPE LENGTH.



OPERATING DATA		
MEDIA	WATER	
MAX WATER PRESSURE	200 PSI	14 bar
MAX WATER TEMP.	250°F	121°C
MAX SPEED	750 RPM	750/min

		PROJECTION:	SCALE: 1:2
		MATERIAL: INTERFACE CONTROL DRAWING	
		DATE: 05/16/13 NAME: N. Reyna	TITLE: DEUBLIN UNION
		ENGR: 05/16/13 NAME: T. Wilson	
		APPD.	
		NO. 755-709-543	
UNLESS SPECIFICALLY TOLERANCED, ALL DIMENSIONS ARE CONSIDERED REFERENCE		SHEET A2	
ISSUE	MODIFICATION	ECO	DATE
			SIGN