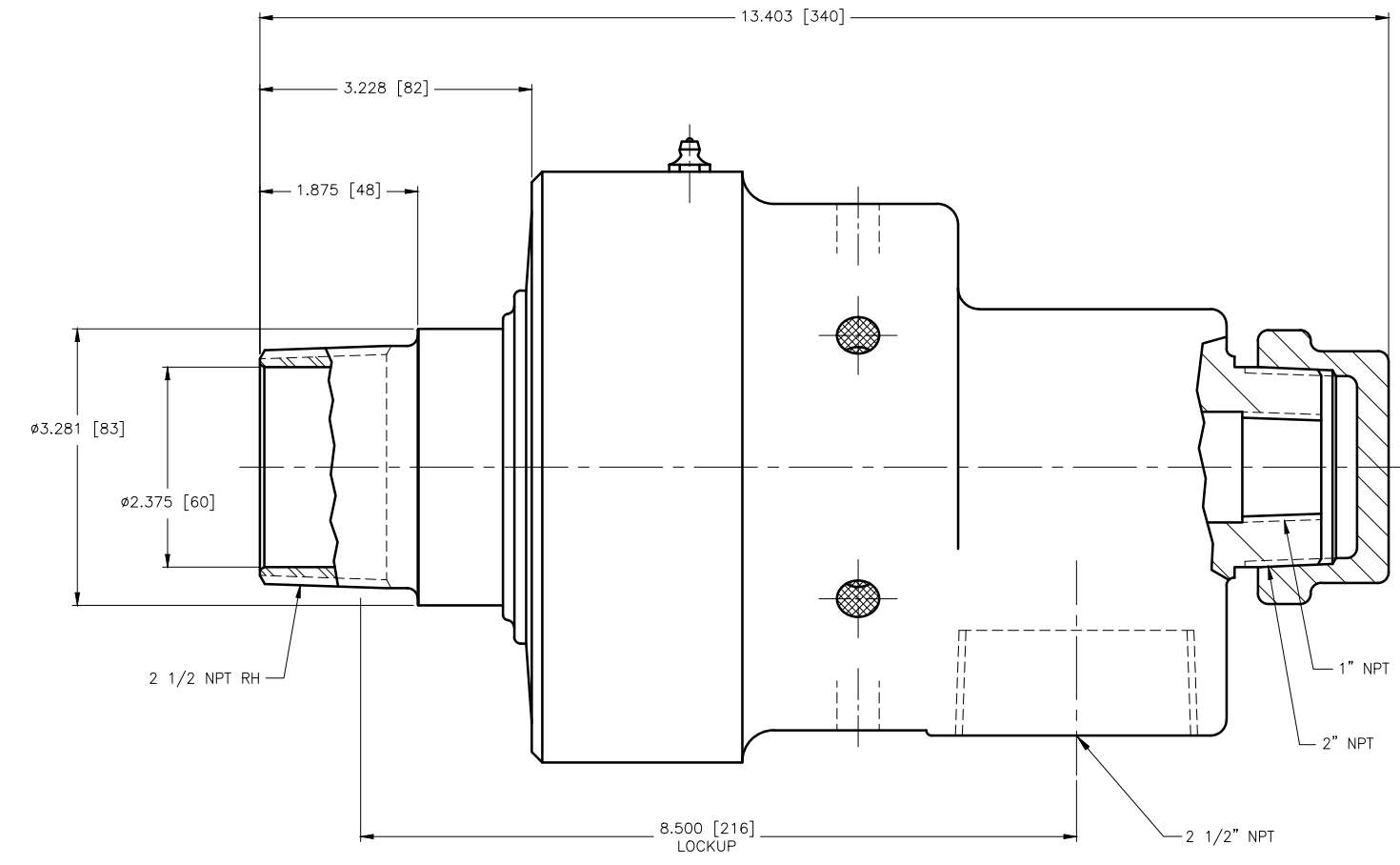
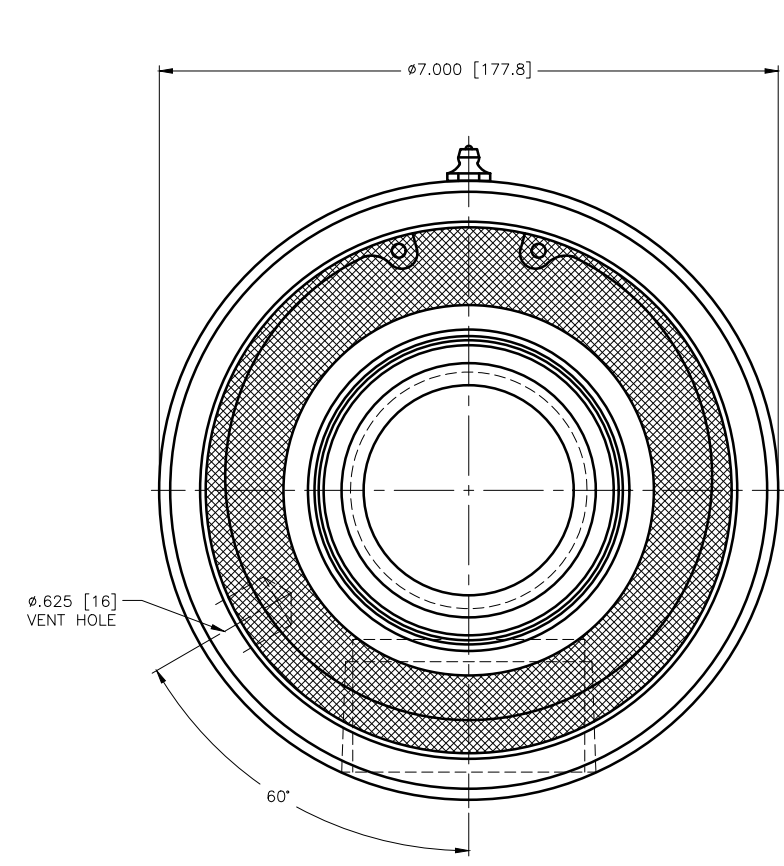


CONFIDENTIAL
 THIS DOCUMENT CONTAINS CONFIDENTIAL AND PROPRIETARY INFORMATION OF DEUBLIN COMPANY. COPYING, USE, TRANSMISSION, DISTRIBUTION, AND DISCLOSURE ARE SUBJECT TO THE TERMS AND CONDITIONS CONTAINED IN YOUR AGREEMENT WITH DEUBLIN COMPANY. ALL RIGHTS RESERVED.



OPERATING DATA		
MEDIA	WATER	
MAX WATER PRESSURE	200 PSI	14 bar
MAX WATER TEMP.	250°F	121°C
MAX SPEED	750 RPM	750/min

SCALE	1 = 1	INP	UNLESS SPECIFICALLY TOLERANCED, ALL DIMENSIONS ARE REFERENCE DIMENSIONS IN [] ARE IN MILLIMETERS.	DEUBLIN COMPANY WAUKEGAN, ILLINOIS, U.S.A. TITLE: INTERFACE CONTROL DRAWING OF DEUBLIN UNION 755-780-413 DWG NO. 755-780-413 C.A.D. DRAWING
DRN	NR	08/31/10		
ENGR	TW	08/31/10		
APPD	TW	08/31/10		
PART NO.	755-780-413			
CUSTOMER				
LET.	REVISION	ECO	DATE	SIGN