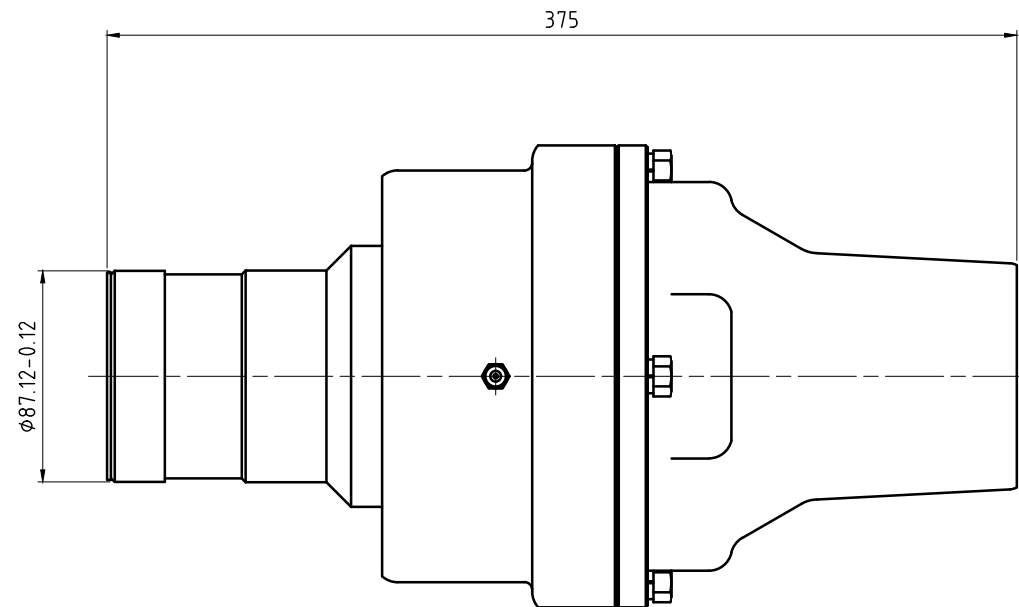
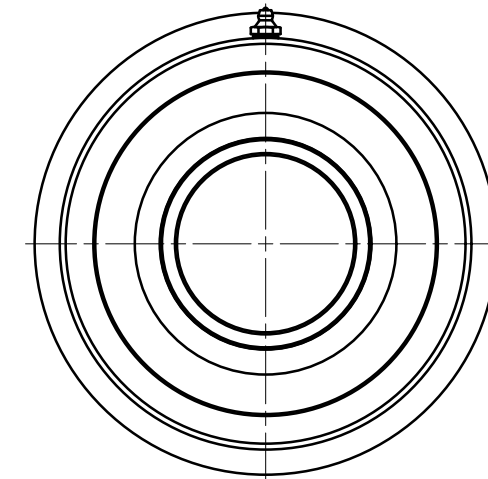
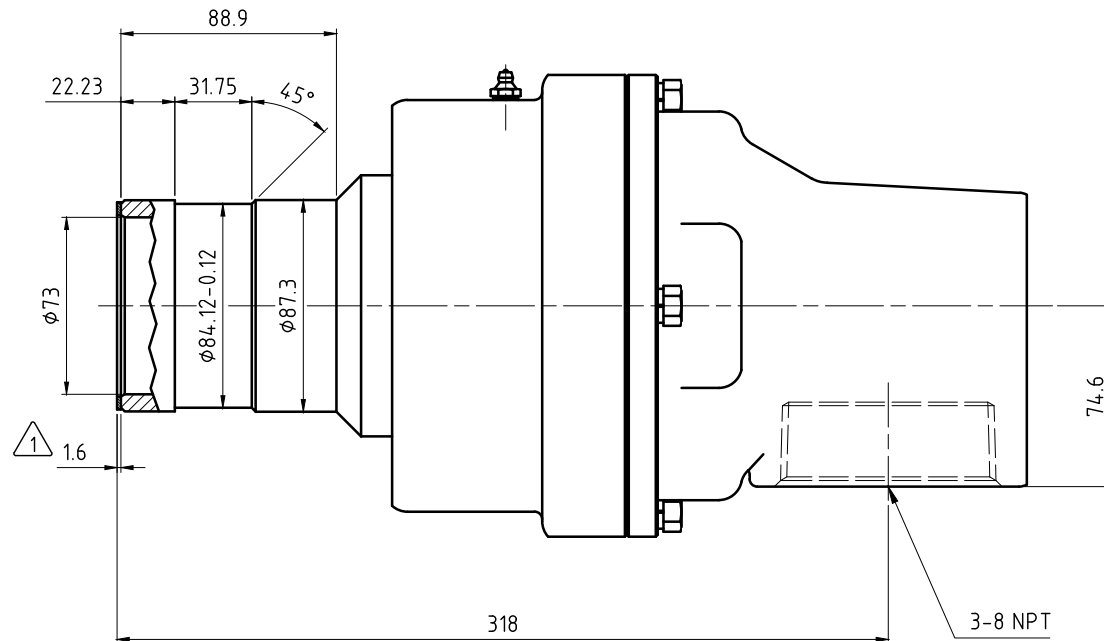
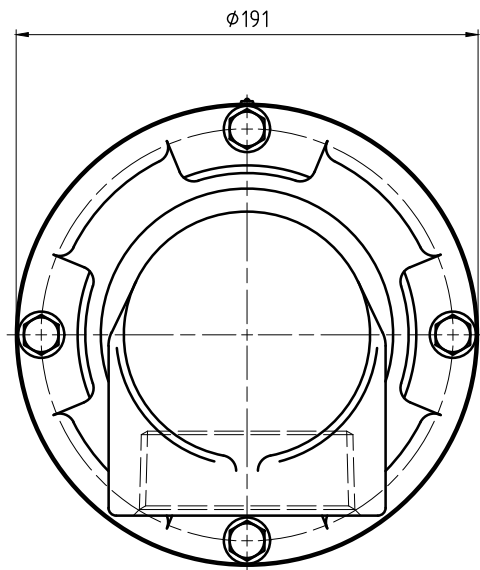


CONFIDENTIAL
 THIS DOCUMENT CONTAINS CONFIDENTIAL AND PROPRIETARY
 INFORMATION OF DEUBLIN COMPANY. COPYING, USE,
 TRANSMISSION, DISTRIBUTION, AND DISCLOSURE ARE SUBJECT
 TO THE TERMS AND CONDITIONS CONTAINED IN YOUR
 AGREEMENT WITH DEUBLIN COMPANY. ALL RIGHTS RESERVED.

NOTES:
 △1 - GASKET THICKNESS.



OPERATING DATA		
MEDIA	WATER/STEAM	
MAX WATER PRESSURE	150 PSI	10 bar
MAX STEAM PRESSURE	15 PSI	1 bar
MAX SPEED	500 RPM	500/min
MAX TEMPERATURE	250°F	121°C



PROJECTION: 1:2
 MATERIAL: INTERFACE CONTROL DRAWING

DATE	NAME	TITLE
DRN. 04/13/15	N. Reyna	DEUBLIN UNION
ENGR. 04/13/15	T. Wilson	
APPD.		

NO. 857-000-128

SHEET A2

ISSUE MODIFICATION ECO DATE SIGN

UNLESS SPECIFICALLY TOLERANCED, ALL DIMENSIONS ARE CONSIDERED REFERENCE