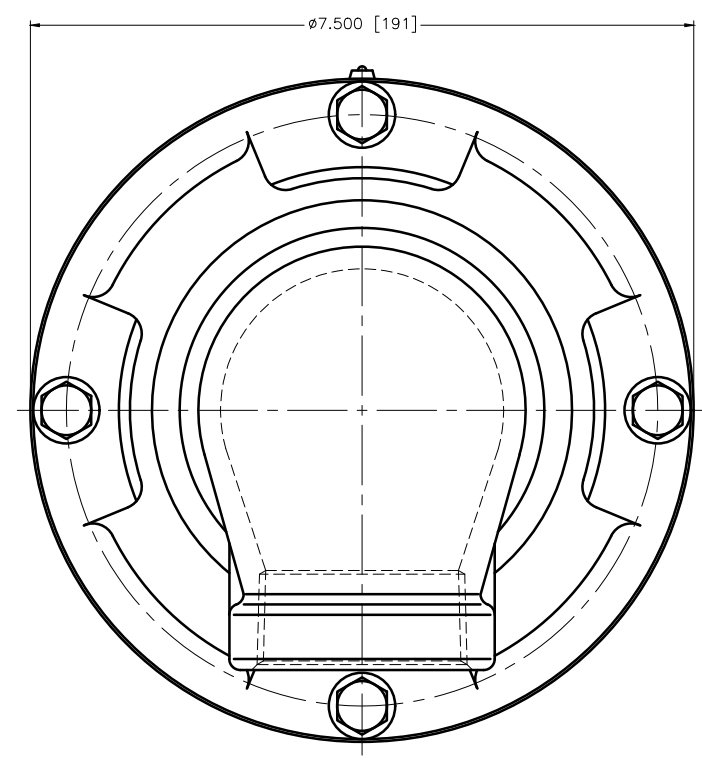
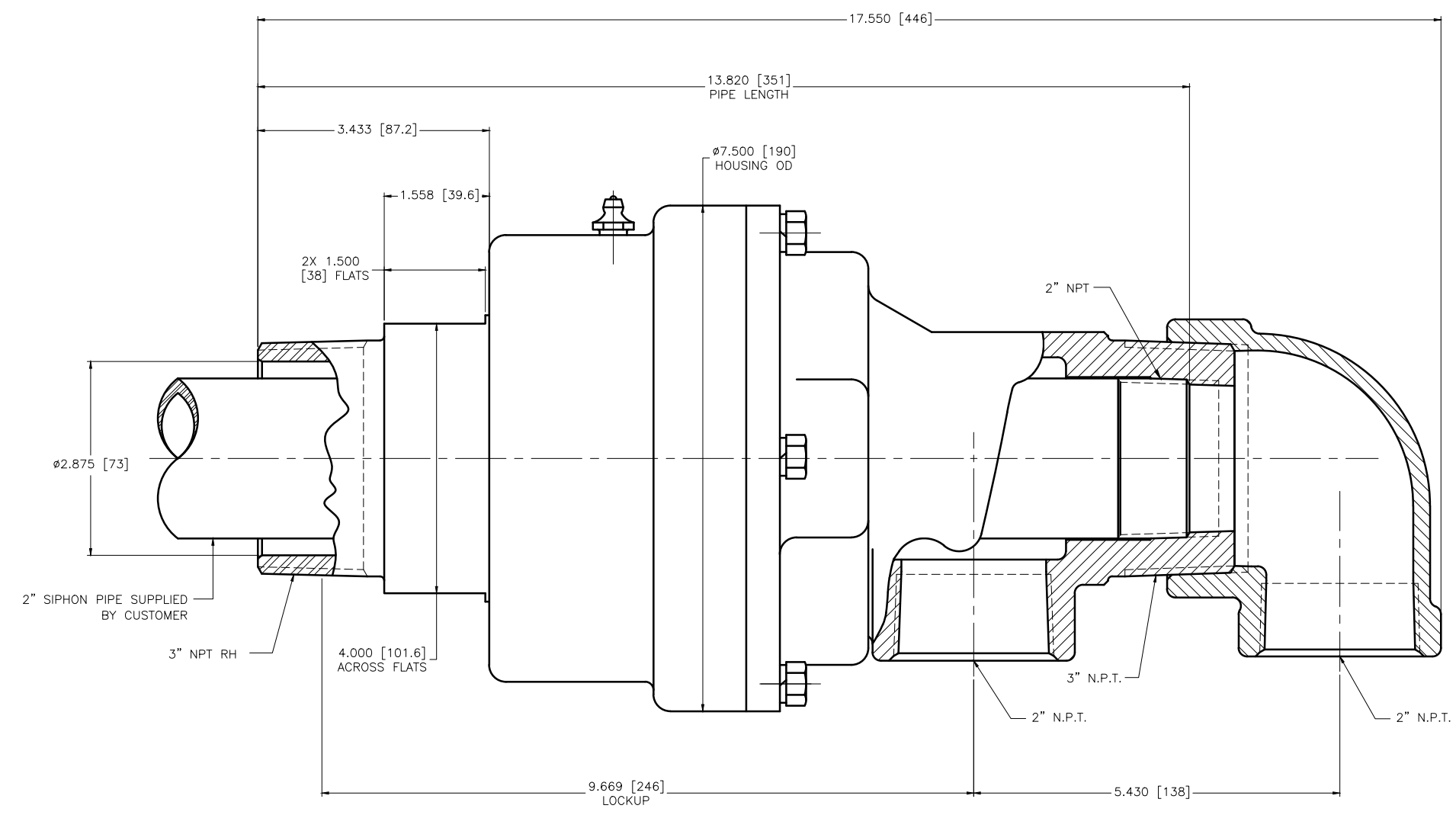


CONFIDENTIAL
 THIS DOCUMENT CONTAINS CONFIDENTIAL AND PROPRIETARY INFORMATION OF DEUBLIN COMPANY. COPYING, USE, TRANSMISSION, DISTRIBUTION, AND DISCLOSURE ARE SUBJECT TO THE TERMS AND CONDITIONS CONTAINED IN YOUR AGREEMENT WITH DEUBLIN COMPANY. ALL RIGHTS RESERVED.

NOTES:
 1 - WHEN ORDERING FROM DEUBLIN USE PART NUMBER: 857-001-101.



OPERATING DATA:
 WATER/INTERMITTANT SATURATED STEAM SERVICE
 150 P.S.I. (10 bar) MAX. WATER PRESSURE
 50 P.S.I. (3.4 bar) MAX. INTERMITTANT SATURATED STEAM PRESSURE
 500 R.P.M. (500/MIN) MAX. SPEED
 250°F (121°C) MAX. TEMPERATURE

SCALE	1 = 1	UNLESS SPECIFICALLY TOLERANCED, ALL DIMENSIONS ARE REFERENCE	DEUBLIN COMPANY WAUKEGAN, ILLINOIS, U.S.A.
DRN	RM 12/22/03	DIMENSIONS IN [] ARE IN MILLIMETERS.	
ENGR	ARS 12/22/03		TITLE: INTERFACE CONTROL DRAWING OF DEUBLIN UNION 857-001-101
APPD	RM ARS		DWG NO. 857-001-101
PART NO.	857-001-101		
CUSTOMER			
LET.	REVISION	ECO	DATE
			SIGN