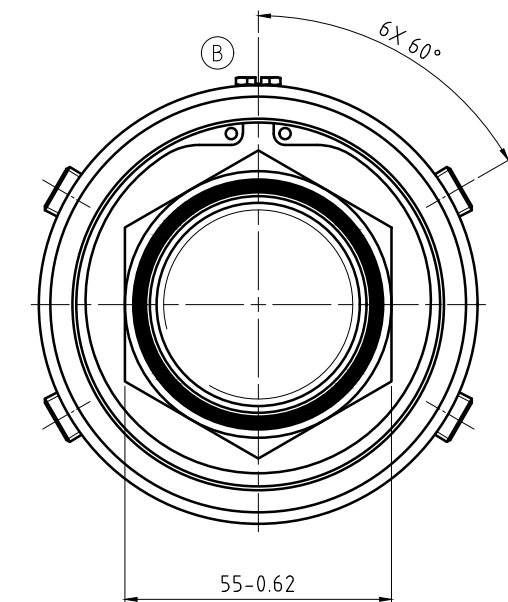
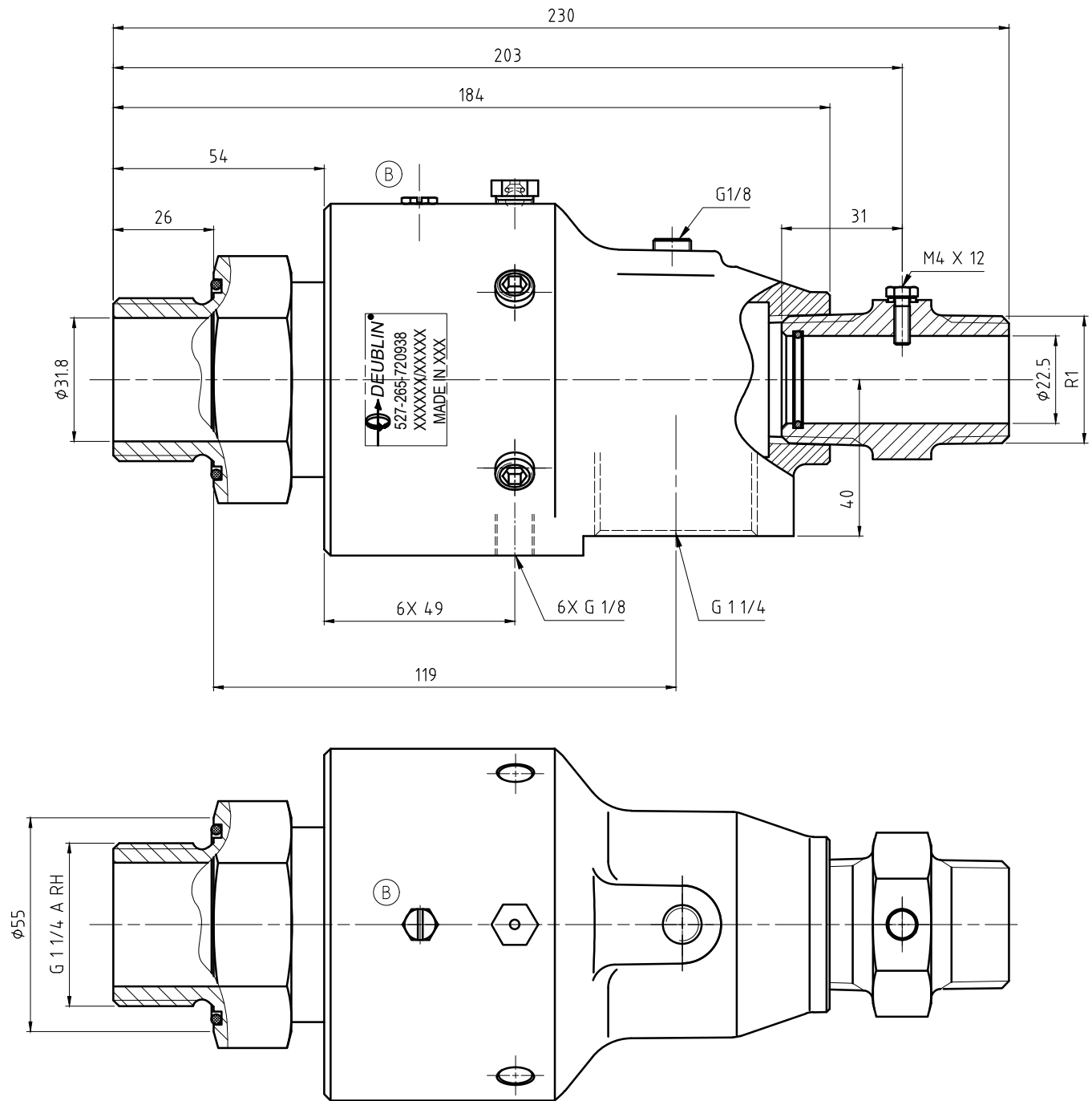
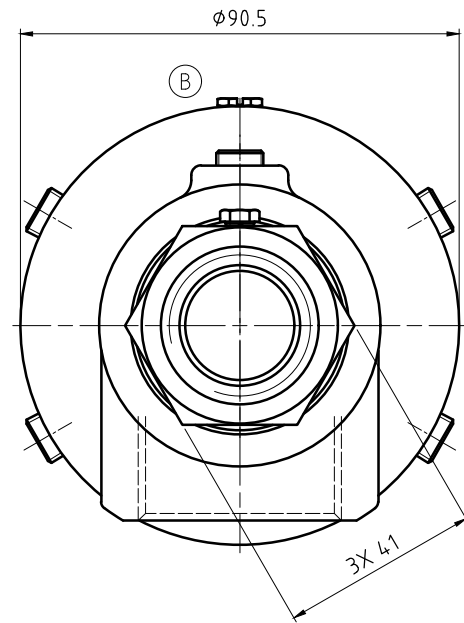


CONFIDENTIAL  
 THIS DOCUMENT CONTAINS CONFIDENTIAL AND PROPRIETARY INFORMATION OF DEUBLIN COMPANY. COPYING, USE, TRANSMISSION, DISTRIBUTION, AND DISCLOSURE ARE SUBJECT TO THE TERMS AND CONDITIONS CONTAINED IN YOUR AGREEMENT WITH DEUBLIN COMPANY. ALL RIGHTS RESERVED.

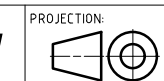
NOTES:

⚠ - CONTACT DEUBLIN OR VISIT WWW.DEUBLIN.COM FOR INSTRUCTION MANUAL: 040-550



OPERATING DATA (B)

MEDIA	WATER
PRESSURE MAX.	20 bar
SPEED MAX.	2500 min <sup>-1</sup>
TEMPERATURE MAX.	121 °C
DRY RUN (WITHOUT ANY MEDIA)	NO
RECOMMENDED FILTRATION	60 micron



PROJECTION:	SCALE: 1:1
MATERIAL:	INTERFACE CONTROL DRAWING
TITLE:	DEUBLIN UNION
NO.:	527-265-720938
SHEET:	A2

B	ENG. PLUG, OP DATA	62548	05/22	RMika
A	RELEASE	62055	03/22	MTS
ISSUE	MODIFICATION	ECO	DATE	SIGN

UNLESS SPECIFICALLY TOLERANCED, ALL DIMENSIONS ARE CONSIDERED REFERENCE