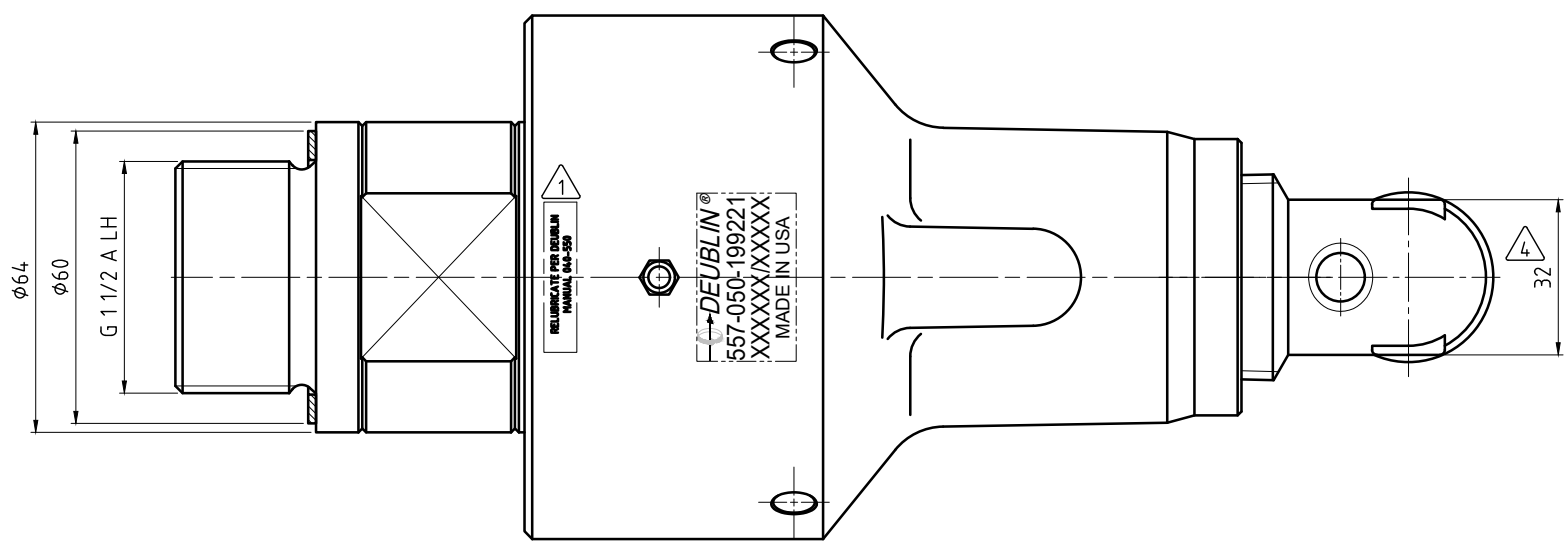
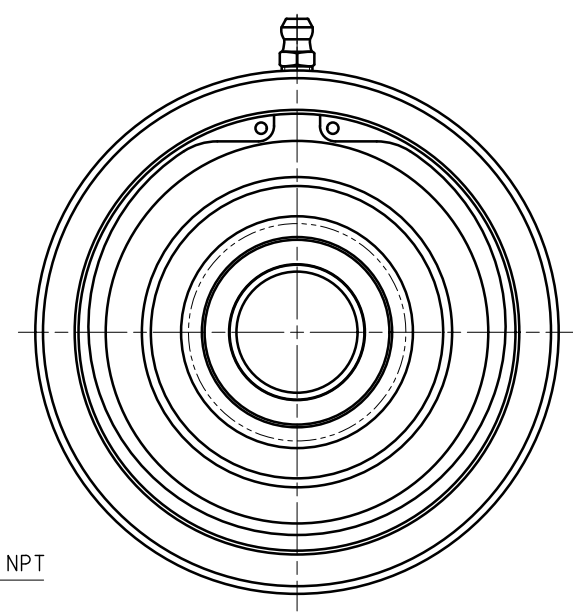
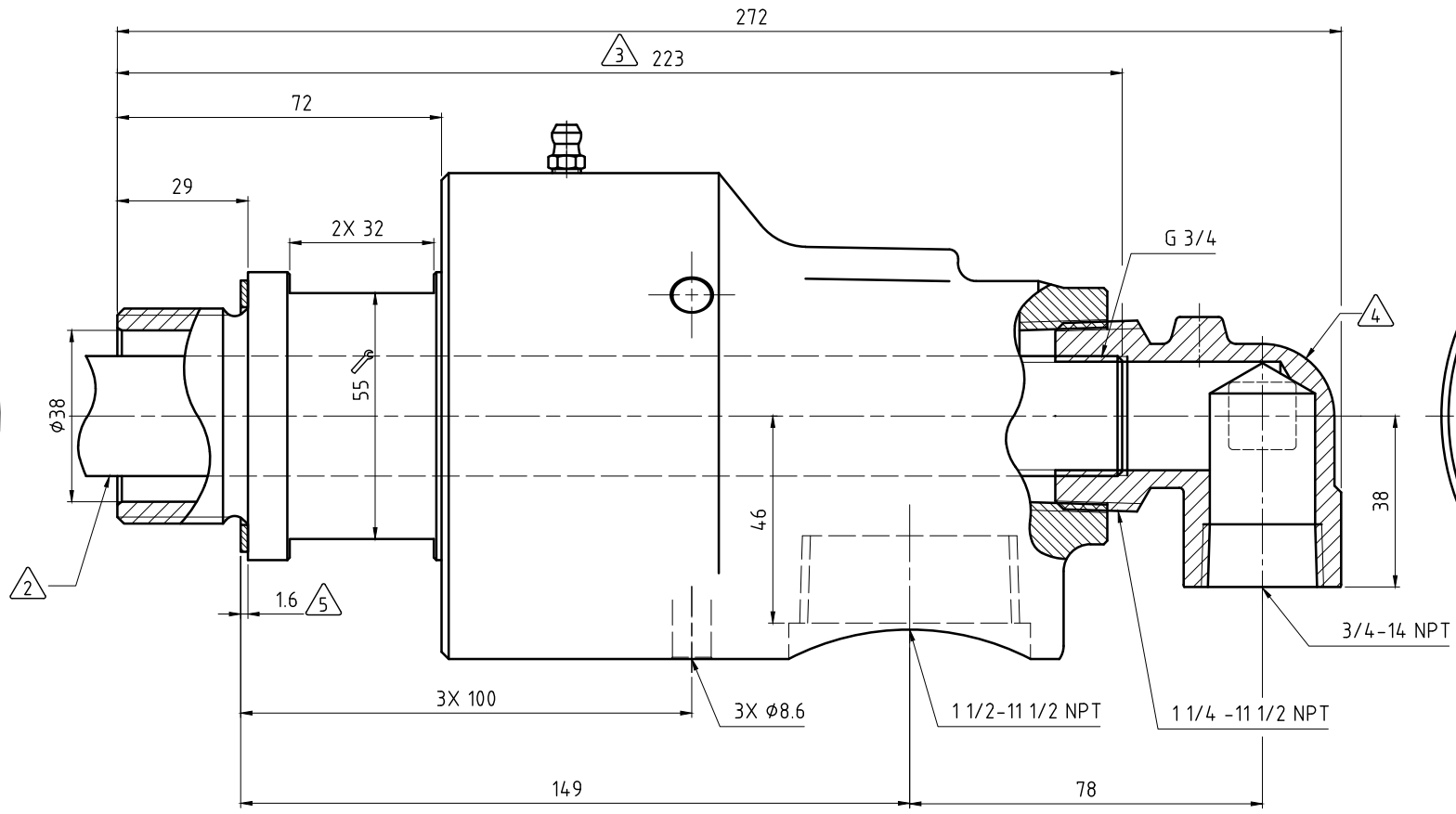
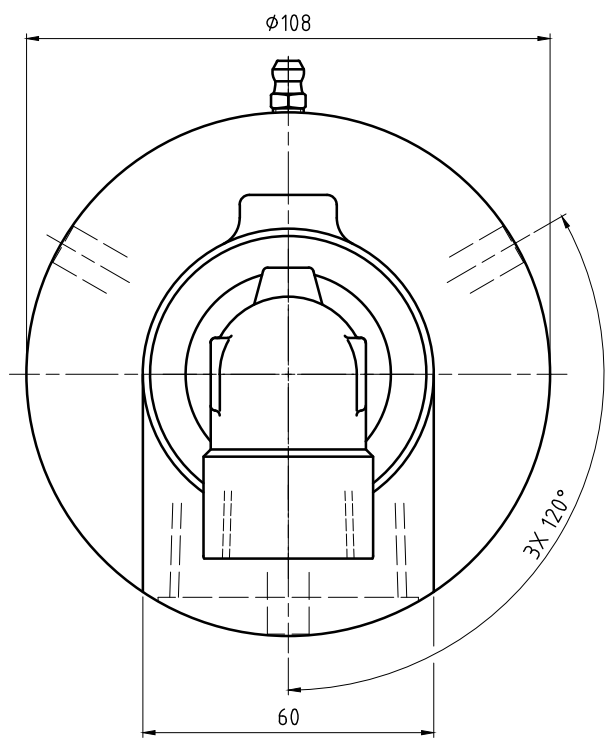


CONFIDENTIAL
 THIS DOCUMENT CONTAINS CONFIDENTIAL AND PROPRIETARY INFORMATION OF DEUBLIN COMPANY. COPYING, USE, TRANSMISSION, DISTRIBUTION, AND DISCLOSURE ARE SUBJECT TO THE TERMS AND CONDITIONS CONTAINED IN YOUR AGREEMENT WITH DEUBLIN COMPANY. ALL RIGHTS RESERVED.

- NOTES:
 1 - CONTACT DEUBLIN OR VISIT WWW.DEUBLIN.COM FOR INSTRUCTION MANUAL: 040-550.
 2 - PIPE SUPPLIED BY CUSTOMER. PIPE SIZE: 3/4".
 3 - PIPE LENGTH.

- 4 - FITTING TO BE ASSEMBLED HAND-TIGHT, OR MAY BE SHIPPED UNASSEMBLED.
 5 - GASKET THICKNESS.



OPERATING DATA		
MEDIA	WATER	THERMAL OIL
PRESSURE MAX.	20 bar	6.6 bar
SPEED MAX.	2500 min ⁻¹	
TEMPERATURE MAX.	93 °C	
DRY RUN (WITHOUT ANY MEDIA)	NO	
RECOMMENDED FILTRATION	60 micron	



PROJECTION:	SCALE: 1:1	TITLE: DEUBLIN DUOFLOW UNION
MATERIAL:	INTERFACE CONTROL DRAWING	
DATE: 06/23/22	NAME: LGalindo	NO. 557-050-199221
ENGR.		
APPD.		
ISSUE MODIFICATION	ECO DATE SIGN	SHEET A2

UNLESS SPECIFICALLY TOLERANCED, ALL DIMENSIONS ARE CONSIDERED REFERENCE