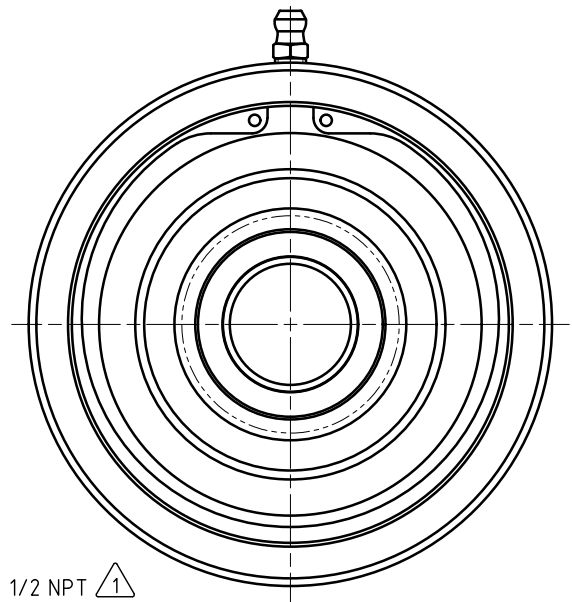
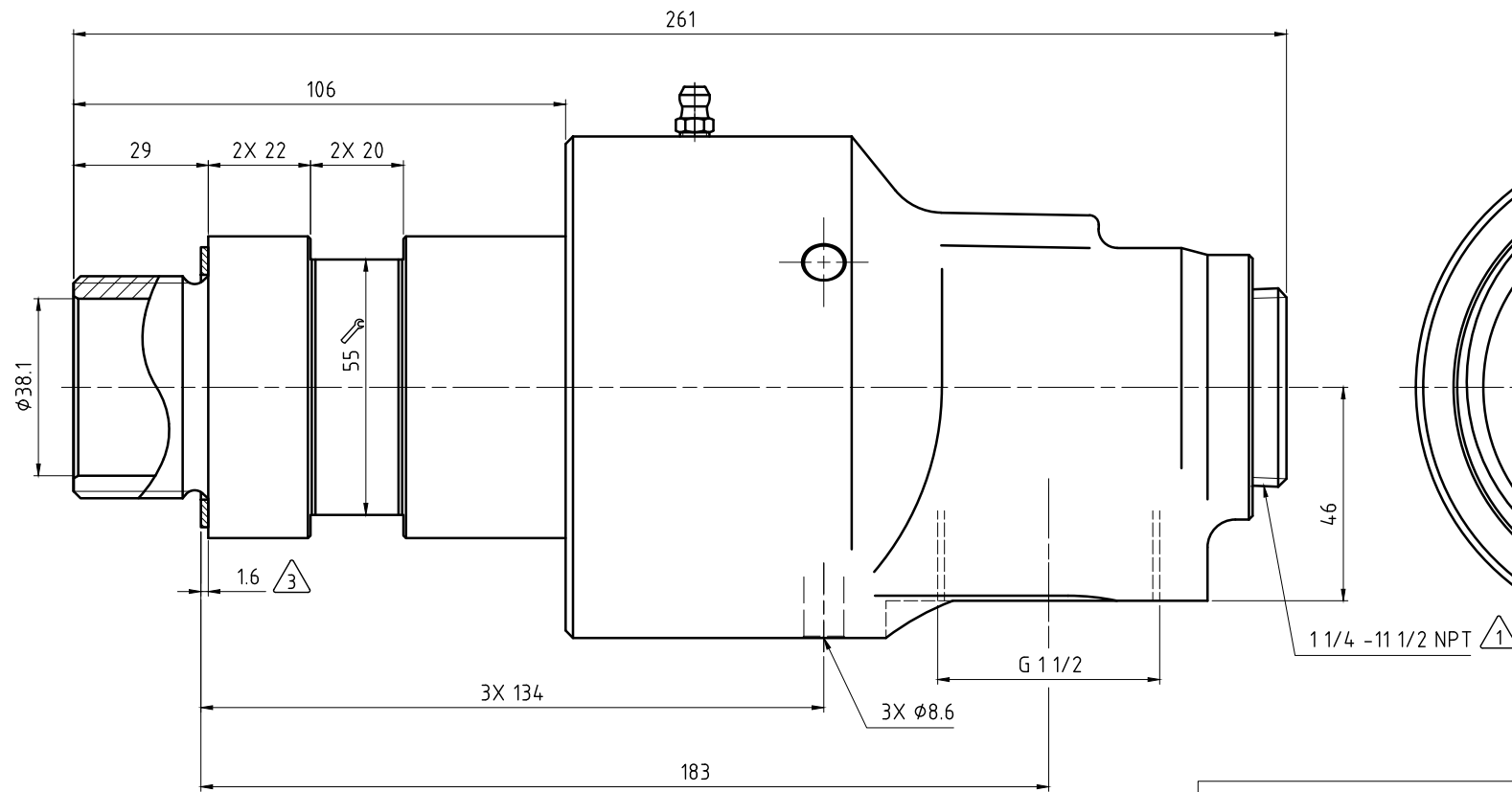
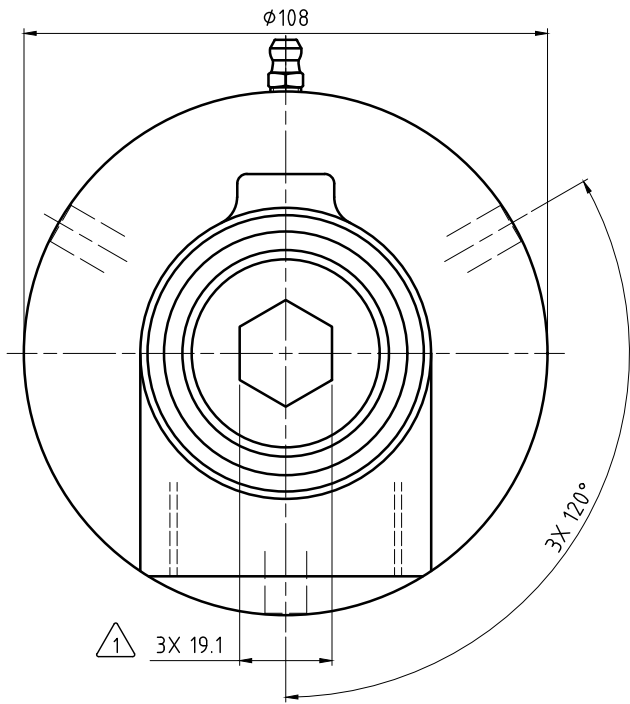


CONFIDENTIAL  
 THIS DOCUMENT CONTAINS CONFIDENTIAL AND PROPRIETARY  
 INFORMATION OF DEUBLIN COMPANY. COPYING, USE,  
 TRANSMISSION, DISTRIBUTION, AND DISCLOSURE ARE SUBJECT  
 TO THE TERMS AND CONDITIONS CONTAINED IN YOUR  
 AGREEMENT WITH DEUBLIN COMPANY. ALL RIGHTS RESERVED.

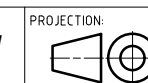
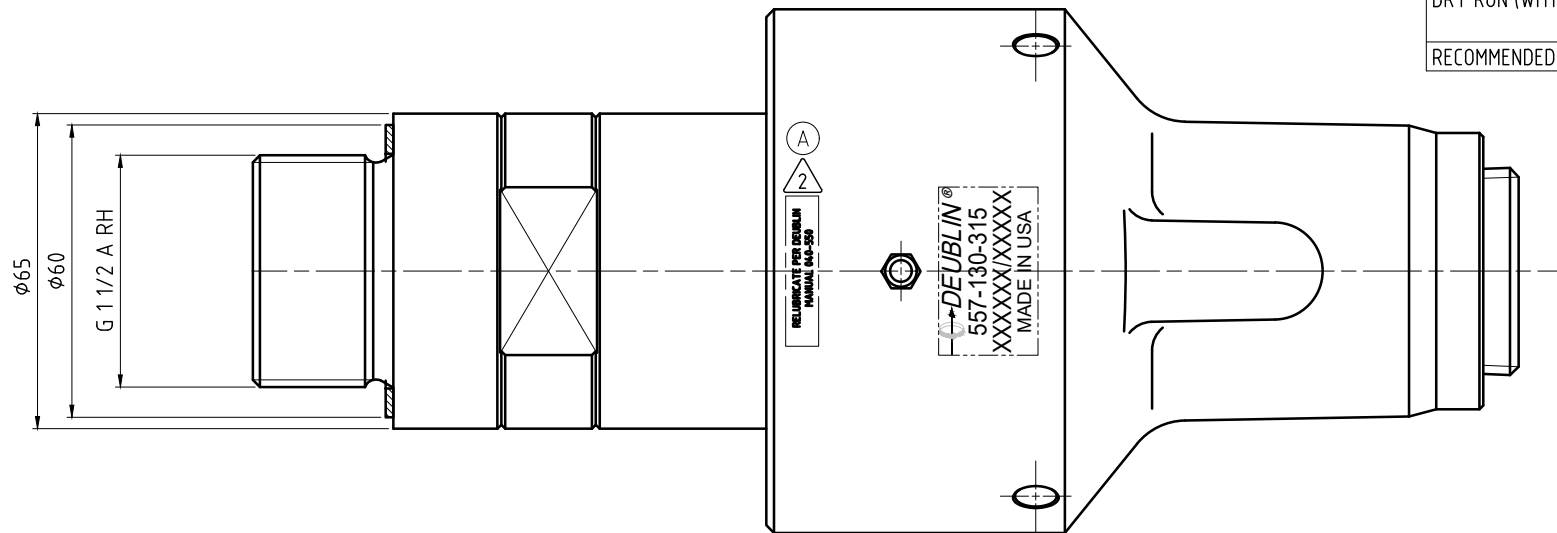
NOTES:

- ① - PLUG INSTALLED HAND TIGHT FROM FACTORY. IF PORT IS NOT UTILIZED, TIGHTEN BEFORE USE.
- ② - CONTACT DEUBLIN OR VISIT WWW.DEUBLIN.COM FOR INSTRUCTION MANUAL: 040-550.

③ - GASKET THICKNESS.



OPERATING DATA			
MEDIA	WATER	SATURATED STEAM (INTERMITTENT)	THERMAL OIL
PRESSURE MAX.	20 bar	1 bar	6.6 bar
SPEED MAX.	2500 min <sup>-1</sup>		
TEMPERATURE MAX.	121 °C		
DRY RUN (WITHOUT ANY MEDIA)	NO		
RECOMMENDED FILTRATION	60 micron		



PROJECTION:	SCALE: 1:1
MATERIAL:	INTERFACE CONTROL DRAWING
TITLE:	DEUBLIN UNION
NO.	557-130-315
SHEET	A2

DATE	NAME
DRN. 06/23/22	LG
ENGR.	
APPD.	

DATE	NAME
06/22	LG
ECO	

UNLESS SPECIFICALLY TOLERANCED, ALL DIMENSIONS ARE CONSIDERED REFERENCE