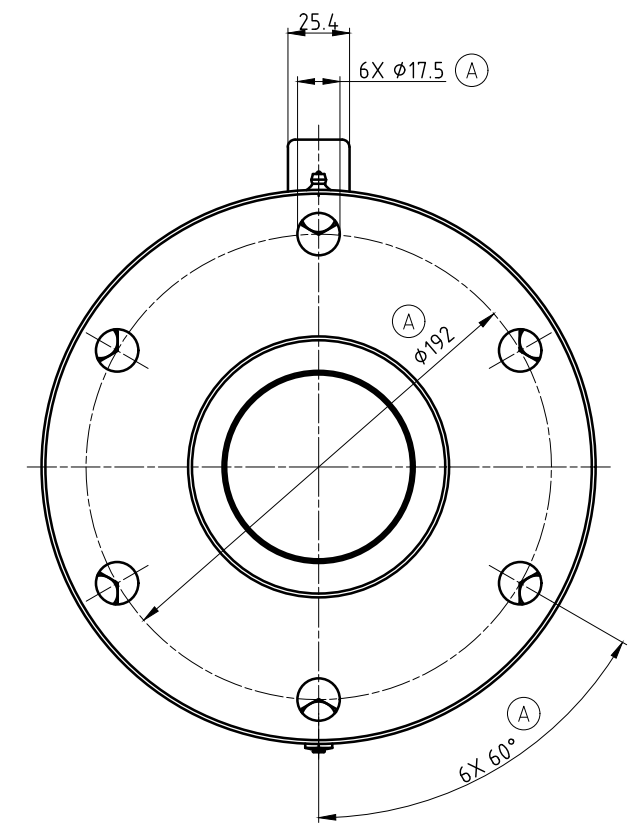
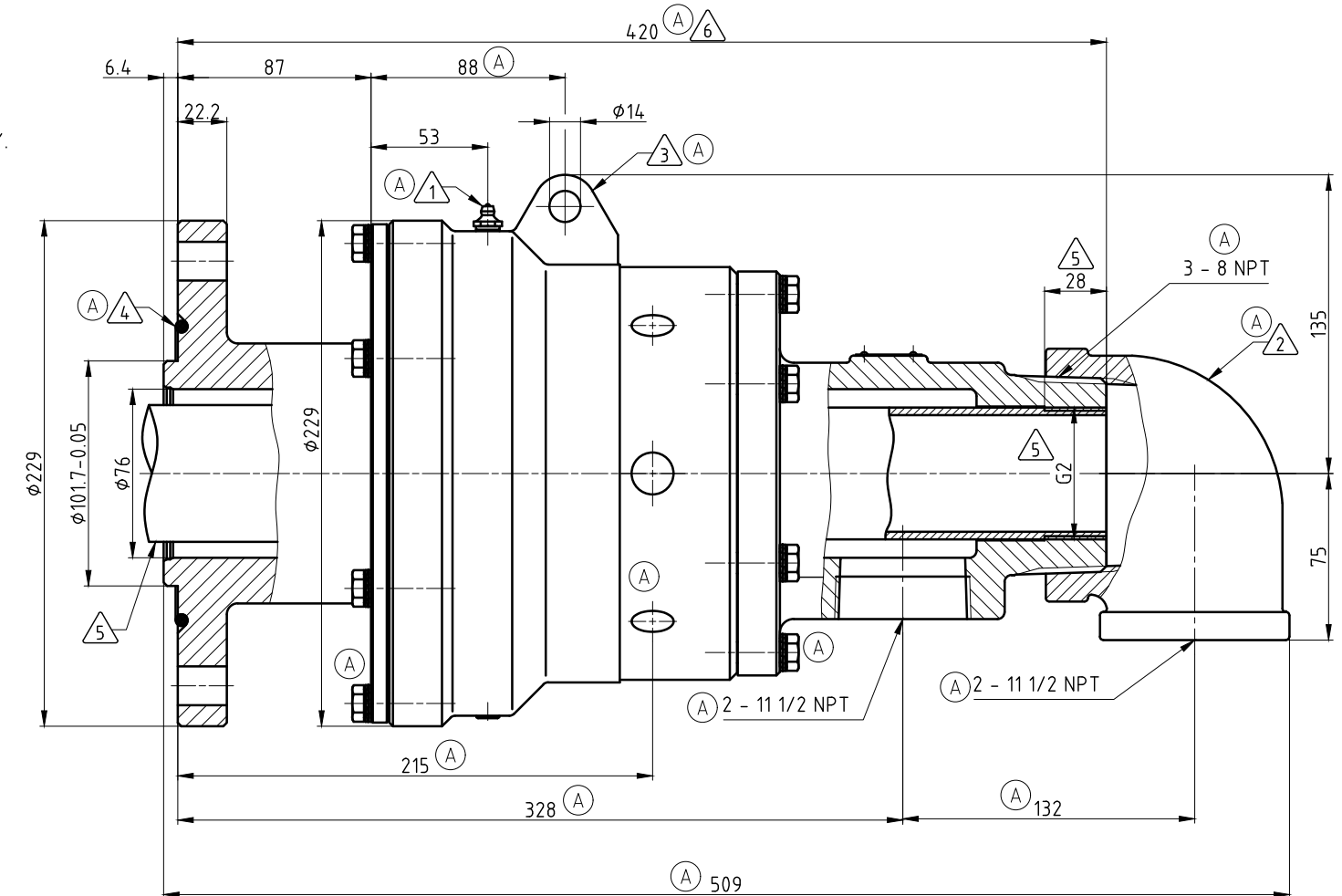
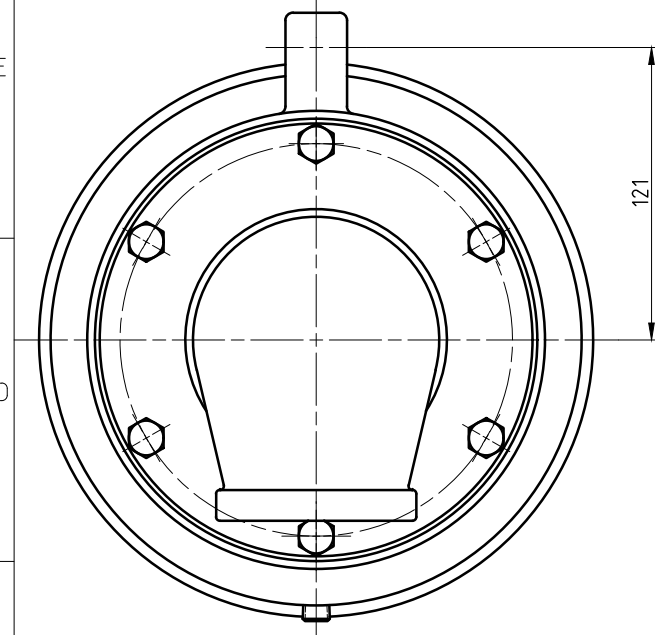
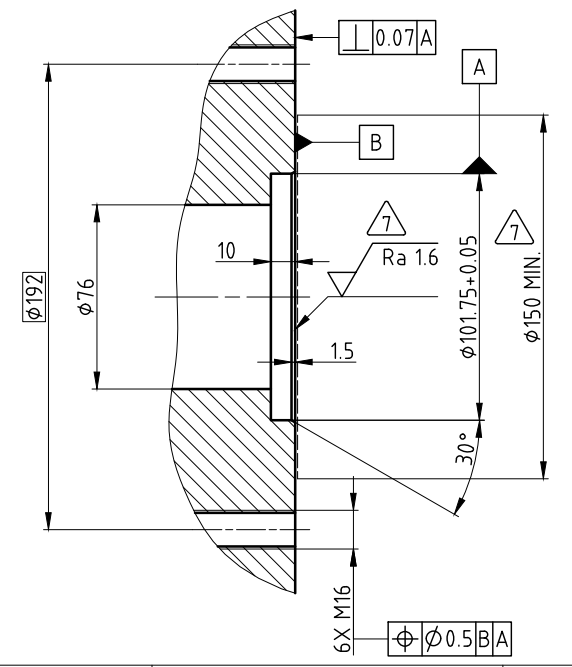


- NOTES:
- (A) 1 - CONTACT DEUBLIN OR VISIT WWW.DEUBLIN.COM FOR INSTRUCTION MANUAL: 040-561
 - (A) 2 - FITTING TO BE ASSEMBLED HAND-TIGHT.
 - (A) 3 - TORQUE LUG PROVIDED FOR ANTI-ROTATION. DO NOT RESTRICT MOVEMENT OF UNION.
 - (A) 4 - O-RING SIZE: 2-353
SUGGESTED O-RING MATERIAL: FKM
 - (A) 5 - PIPE SUPPLIED BY CUSTOMER. PIPE SIZE: 2"
 - (A) 6 - PIPE LENGTH.
 - (A) 7 - SURFACE FINISH APPLIES WITHIN INDICATED AREA ONLY.



CUSTOMER INTERFACE (A)



OPERATING DATA	
MEDIA	WATER
PRESSURE MAX.	10 bar
SPEED MAX.	750 min ⁻¹
TEMPERATURE MAX.	121 °C
DRY RUN (WITHOUT ANY MEDIA)	NO
RECOMMENDED FILTRATION	60 micron
FLOW MAX	681 L/min
TORQUE	10.9 Nm

DEUBLIN
 HOERBIGER Rotary Solutions

DRN.	27.06.2011	CW
ENGR.	27.06.2011	FD
APPD.		

PROJECTION:

SCALE: 1:2

MATERIAL: INTERFACE CONTROL DRAWING

TITLE: DEUBLIN UNION

NO. 6300-025-103

SHEET A2

A	SEE CD	62551	07/22	MTS
ISSUE	MODIFICATION	ECO	DATE	SIGN

UNLESS SPECIFICALLY TOLERANCED, ALL DIMENSIONS ARE CONSIDERED REFERENCE