

CONFIDENTIAL  
 THIS DOCUMENT CONTAINS CONFIDENTIAL AND PROPRIETARY INFORMATION OF DEUBLIN COMPANY. COPYING, USE, TRANSMISSION, DISTRIBUTION, AND DISCLOSURE ARE SUBJECT TO THE TERMS AND CONDITIONS CONTAINED IN YOUR AGREEMENT WITH DEUBLIN COMPANY. ALL RIGHTS RESERVED.

NOTES:

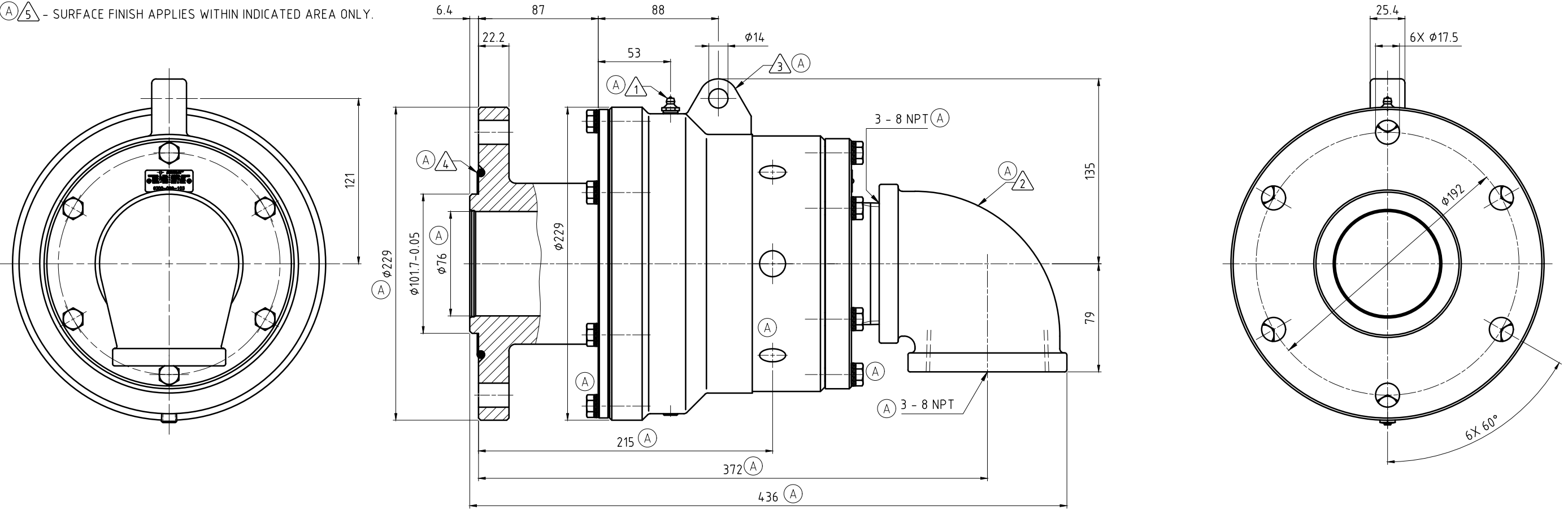
① - CONTACT DEUBLIN OR VISIT WWW.DEUBLIN.COM FOR INSTRUCTION MANUAL: 040-561

② - FITTING TO BE ASSEMBLED HAND-TIGHT.

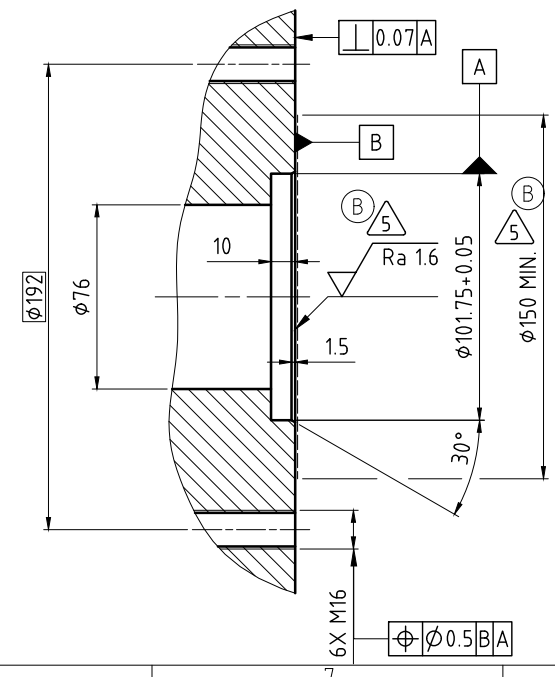
③ - TORQUE LUG PROVIDED FOR ANTI-ROTATION. DO NOT RESTRICT MOVEMENT OF UNION.

④ - O-RING SIZE: 2-353  
 SUGGESTED O-RING MATERIAL: FKM

⑤ - SURFACE FINISH APPLIES WITHIN INDICATED AREA ONLY.



CUSTOMER INTERFACE



OPERATING DATA	
MEDIA	WATER
PRESSURE MAX.	10 bar
SPEED MAX.	750 min <sup>-1</sup>
TEMPERATURE MAX.	121 °C
DRY RUN (WITHOUT ANY MEDIA)	NO
RECOMMENDED FILTRATION	60 micron
FLOW MAX	1514 L/min
TORQUE	10.9 Nm

		PROJECTION:	SCALE: 1:2
		MATERIAL: INTERFACE CONTROL DRAWING	
		DATE: 08/04/21 NAME: N. Reyna	TITLE: ROTATING UNION
		ENGR: 08/04/21 NAME: T. Wilson	
		APPD.	
		NO. 6300-099-103	SHEET A2
A ISSUE MODIFICATION	SEE CD ECO	62551 DATE	07/22 MTS SIGN

UNLESS SPECIFICALLY TOLERANCED, ALL DIMENSIONS ARE CONSIDERED REFERENCE