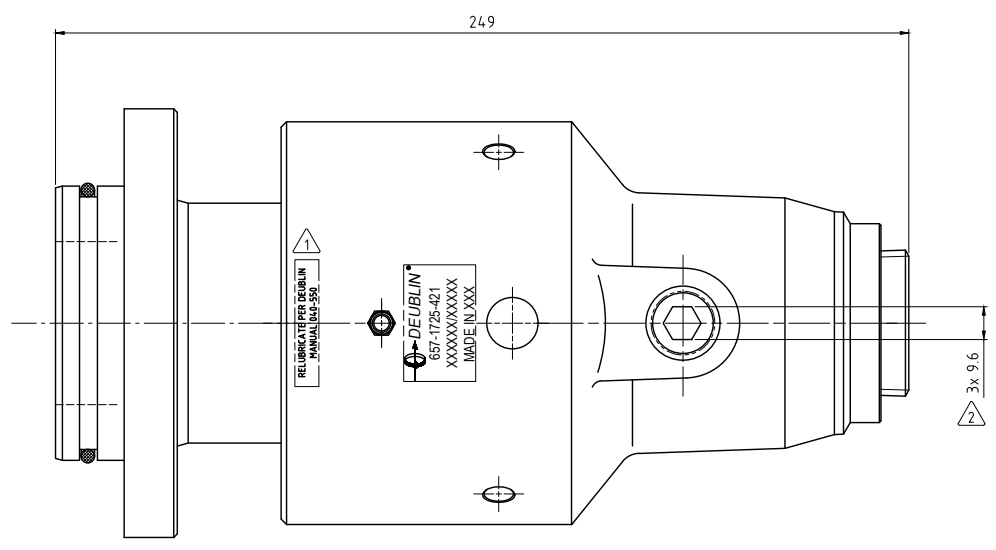
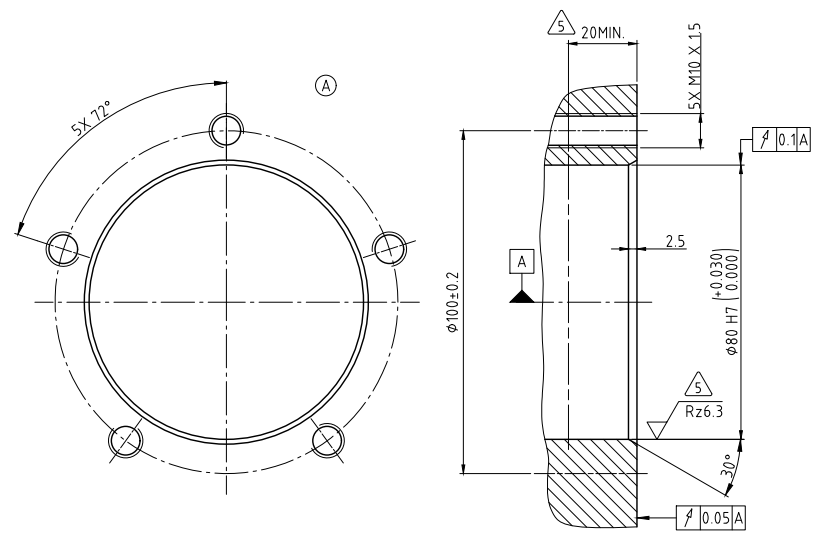
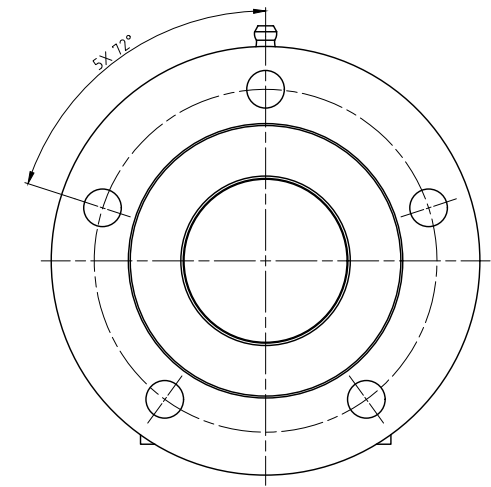
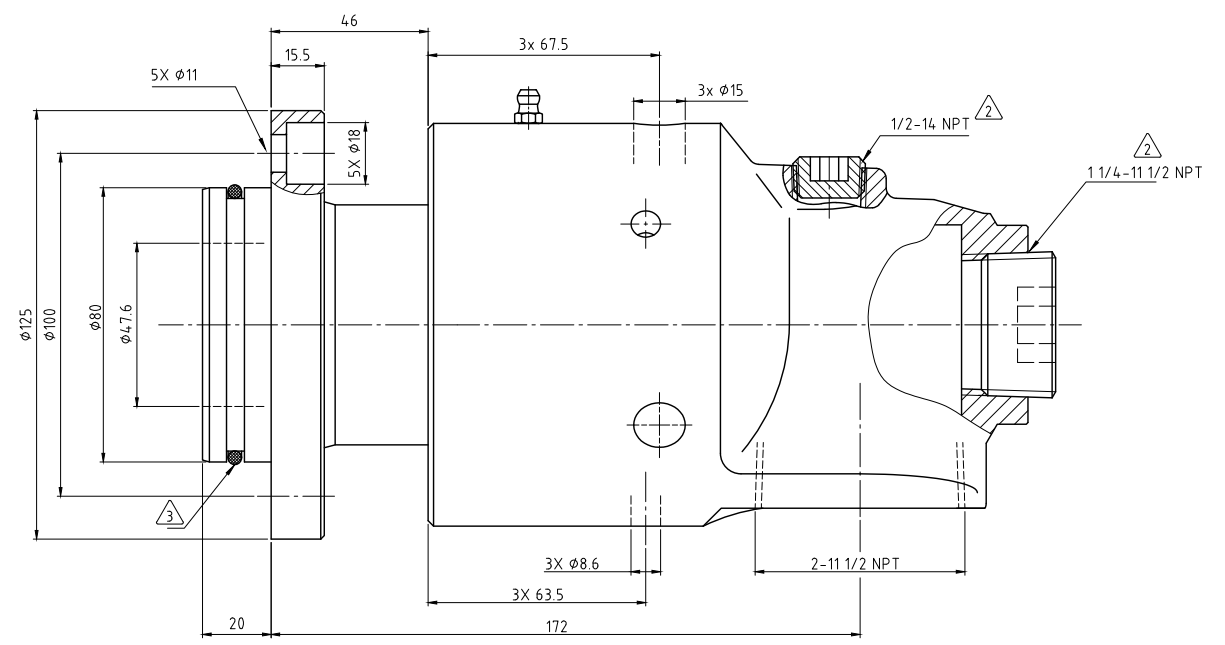
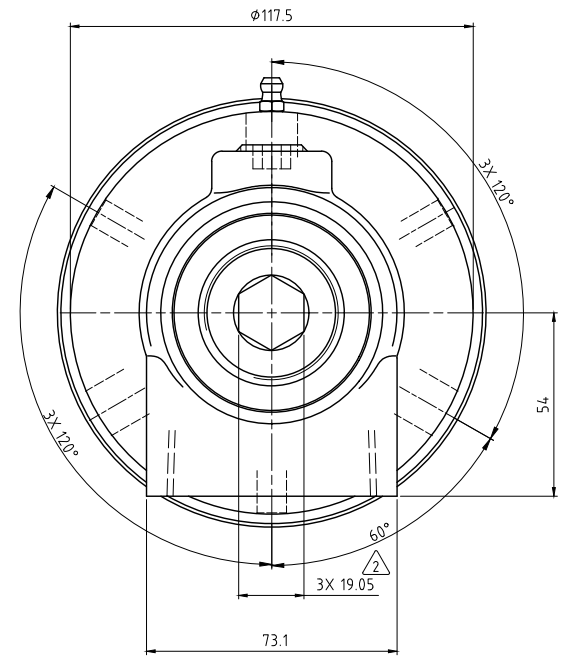


- NOTES:
- 1 - CONTACT DEUBLIN OR VISIT WWW.DEUBLIN.COM FOR INSTRUCTION MANUAL: 040-550
 - 2 - PLUG INSTALLED HAND TIGHT FROM FACTORY. IF PORT IS NOT UTILIZED, TIGHTEN BEFORE USE.
 - 3 - O-RING: Ø73.0 x Ø4 FKM 75 DUROMETER.

CONFIDENTIAL

The reproduction, distribution and utilization of this document as well as the communication of its contents to others without express authorization is prohibited. Offenders will be held liable for the payment of damages. All rights reserved in the event of the grant of patent, utility model or design.

Ø80	f7	-0.03	-0.04
Ø80	H7	+0.03	+0.04
Maß	Passung		



OPERATING DATA (A)			
MEDIA	WATER	SATURATED STEAM (INTERMITTENT)	THERMAL OIL
PRESSURE MAX.	20 bar	1 bar	6.6 bar
SPEED MAX.	750 min ⁻¹		
TEMPERATURE MAX.	121 °C		
DRY RUN (WITHOUT ANY MEDIA)	NO		
RECOMMENDED FILTRATION	60 micron		

CUSTOMER INTERFACE

	PROJECTION	SCALE: 1:1	MATERIAL: INTERFACE CONTROL DRAWING TITLE: DEUBLIN ROTATING UNION DEUBLIN Drehdurchführung
	DATE: 01/12/2023	NAME: LG	
DRN: 01/12/2023	ENGR: RM	NO. 657-1725-421	
APPD:		SHEET A1	
A MIN RELEASE 63192 01/23 LG ISSUE/MODIFICATION ECO DATE SIGN		UNLESS SPECIFICALLY TOLERANCED, ALL DIMENSIONS ARE CONSIDERED REFERENCE	