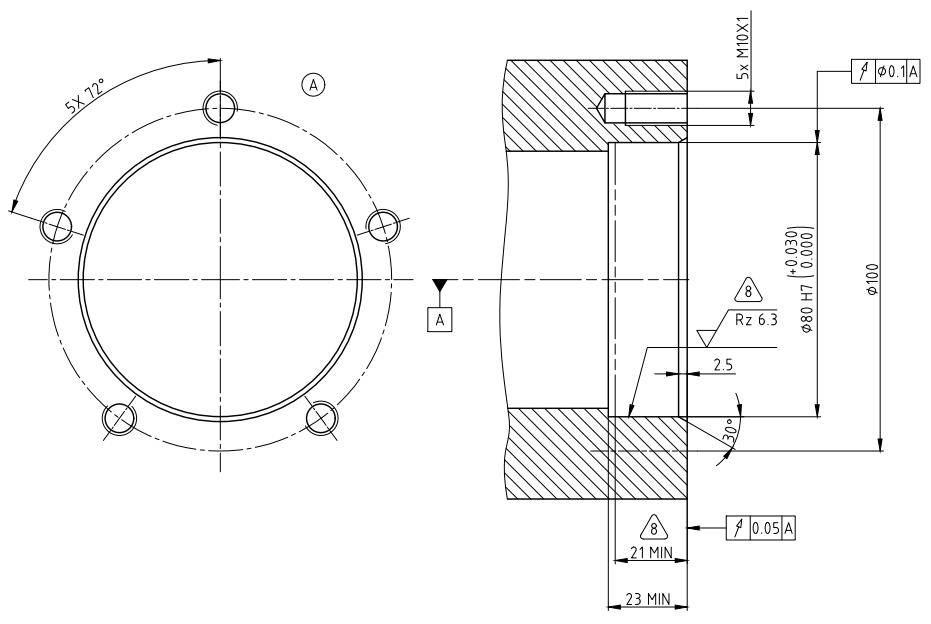
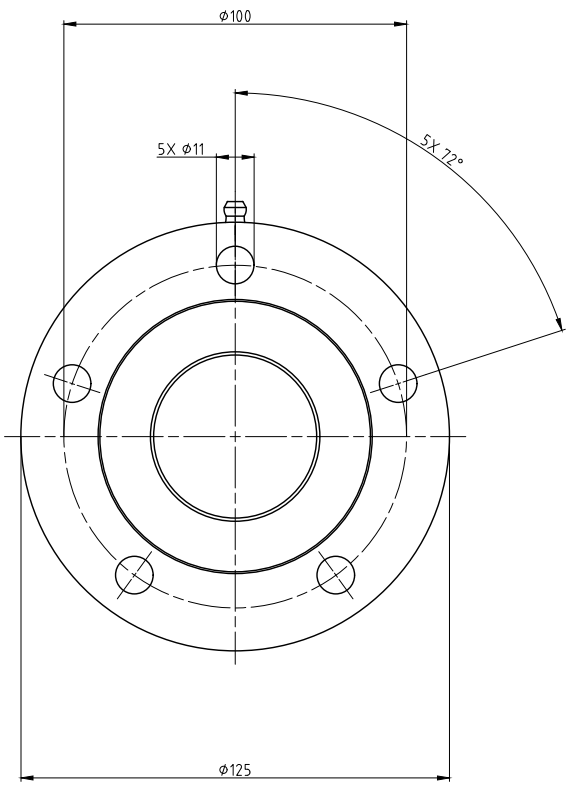
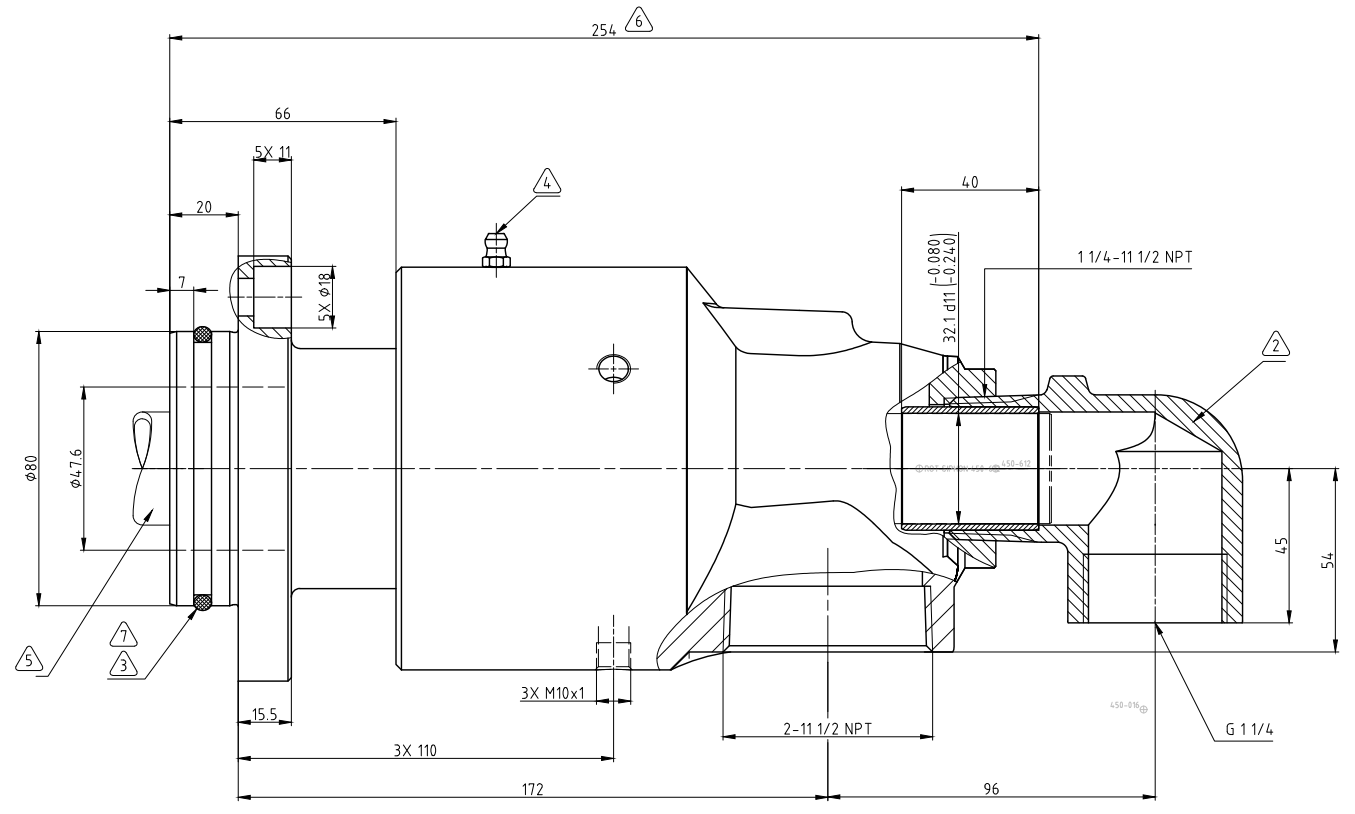
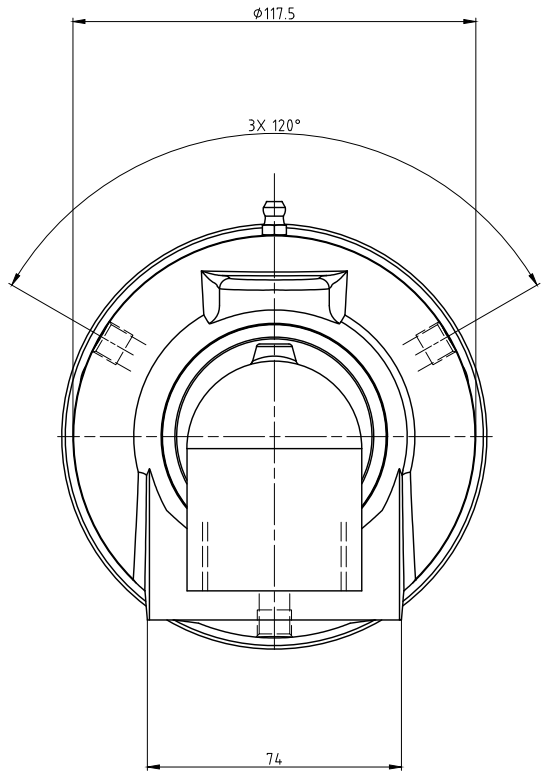
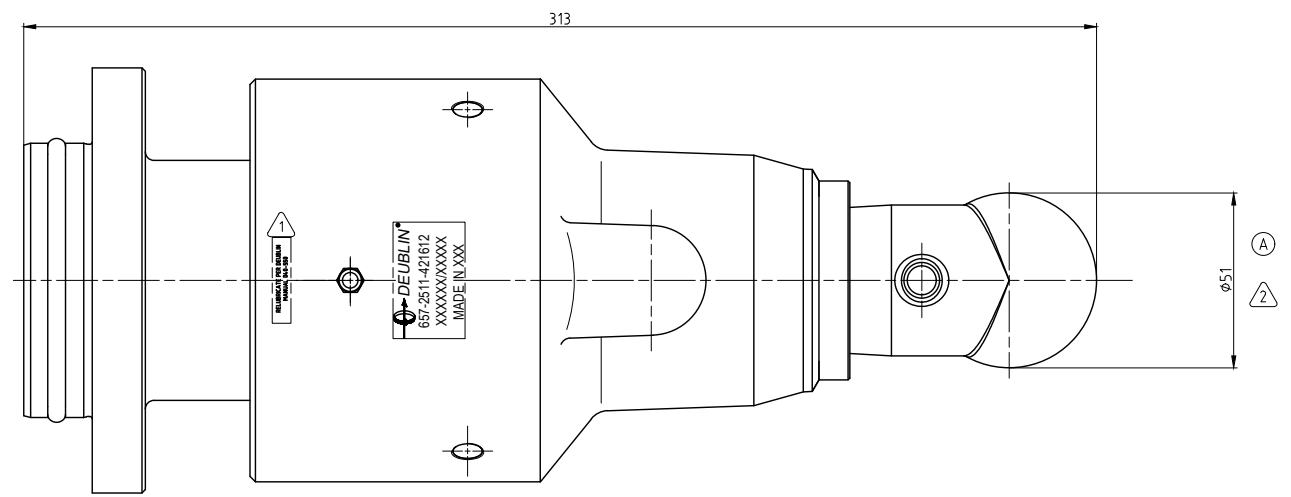


- NOTES:
- 1 - CONTACT DEUBLIN OR VISIT WWW.DEUBLIN.COM FOR INSTRUCTION MANUAL: 040-550
 - 2 - FITTING TO BE ASSEMBLED HAND-TIGHT, OR MAY BE SHIPPED UNASSEMBLED.
 - 3 - O-RING: Ø73.0 x Ø4 FKM 75 DUROMETER.
 - 4 - RELUBRICATE UNION PER ENGINEERING INSTRUCTION 030-804.
 - 5 - PIPE SUPPLIED BY CUSTOMER.
 - 6 - PIPE LENGTH.
 - 7 - LUBRICATE INDICATED O-RINGS WITH SILICONE BASED GREASE.
 - 8 - SURFACE FINISH APPLIES WITHIN INDICATED AREA ONLY.



CUSTOMER INTERFACE



OPERATING DATA	
MEDIA	THERMAL OIL
PRESSURE MAX.	(A) 6.6 bar
SPEED MAX.	750 min ⁻¹
TEMPERATURE MAX.	160 °C
DRY RUN (WITHOUT ANY MEDIA)	NO
RECOMMENDED FILTRATION	60 micron

		PROJECTION:	SCALE: 1:1
MATERIAL: INTERFACE CONTROL DRAWING		TITLE: DEUBLIN ROTATING UNION DEUBLIN Drehdurchführung	NO. 657-2511-421621
DRN: 11.01.2023	NAME: MZ	DATE: 11.01.2023	DATE: 11.01.2023
ENGR: 11.01.2023	NAME: MSK	DATE: 11.01.2023	DATE: 11.01.2023
APPD:			
A 64 MS 20	63192	01/23	LG
ISSUE/MODIFICATION	ECO	DATE	SIGN