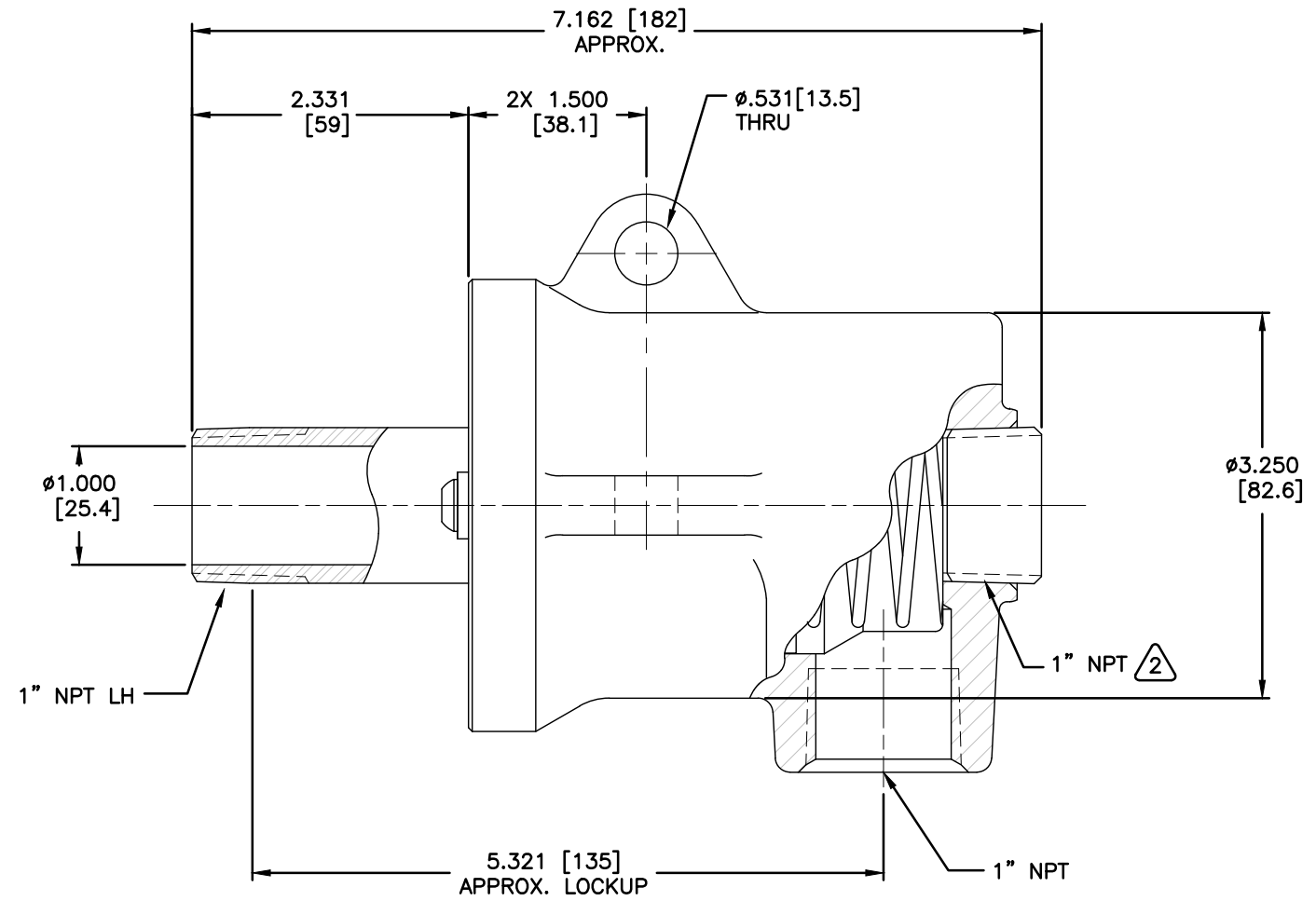
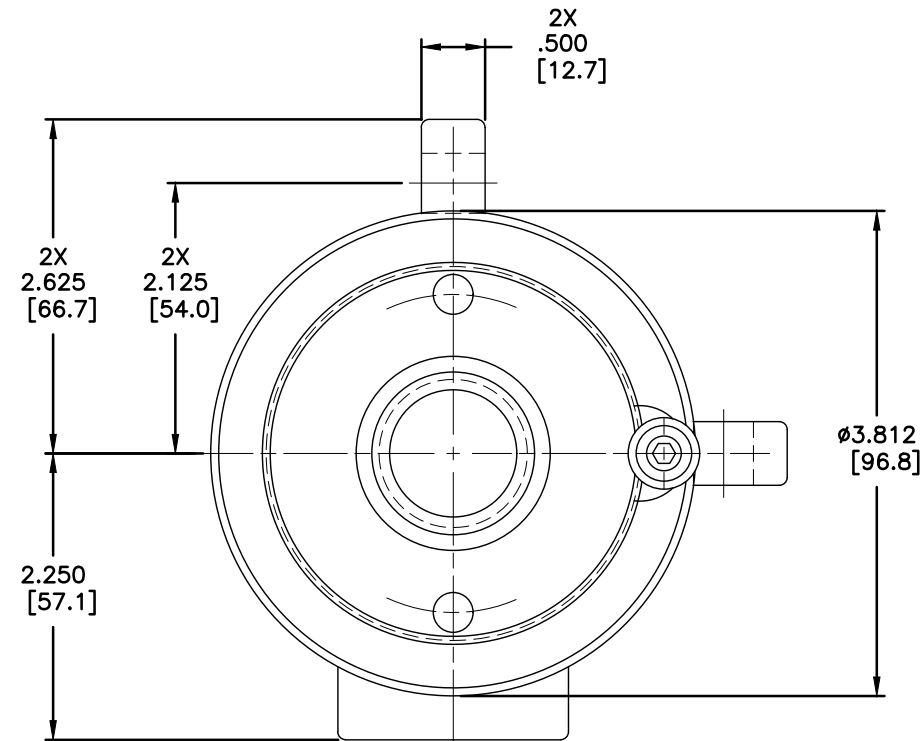


NOTES:

- 1 - WHEN ORDERING FROM DEUBLIN USE PART NUMBER: 9100-020-221.
- ⚠ - PLUG INSTALLED HAND TIGHT FROM FACTORY. IF PORT IS NOT UTILIZED, TIGHTEN BEFORE USE.



OPERATING DATA		
MEDIA	HOT OIL	
MAX OIL PRESSURE	100 PSI	6.6 bar
MAX OIL TEMP.	650°F	340°C
MAX SPEED	400 RPM	400/min

CONFIDENTIAL

THIS DOCUMENT CONTAINS CONFIDENTIAL AND PROPRIETARY INFORMATION OF DEUBLIN COMPANY. COPYING, USE, TRANSMISSION, DISTRIBUTION, AND DISCLOSURE ARE SUBJECT TO THE TERMS AND CONDITIONS CONTAINED IN YOUR AGREEMENT WITH DEUBLIN COMPANY. ALL RIGHTS RESERVED.

DEUBLIN COMPANY
WAUKEGAN, ILLINOIS, U.S.A.

TITLE: INTERFACE CONTROL
DRAWING FOR DEUBLIN
UNION 9100-020-221

DWG. NO. 9100-020-221-IC

SCALE	FULL	DWG SIZE	C
DRN	RM	11/15/04	
ENGR	ARS	11/15/04	
APPD	ARS	11/15/04	
PART NO.			
9100-020-221			
CUSTOMER			
LET.	REVISION	ECO	DATE SIGN

UNLESS SPECIFICALLY TOLERANCED, ALL DIMENSIONS ARE REFERENCE
DIMENSIONS IN [] ARE IN MILLIMETERS.