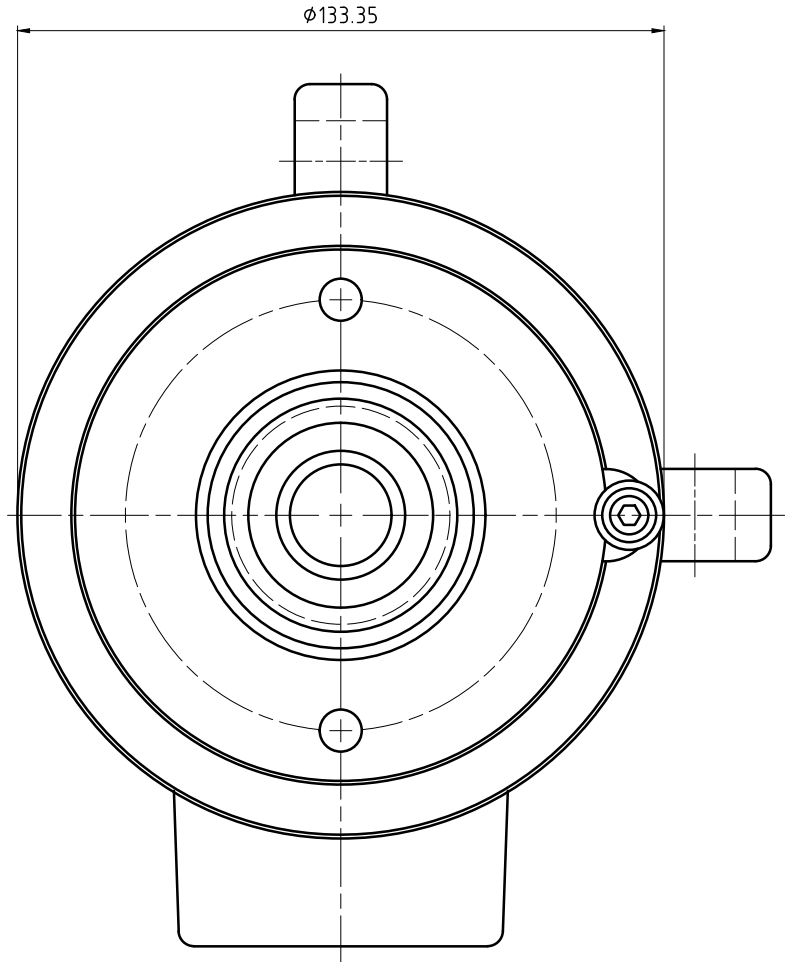
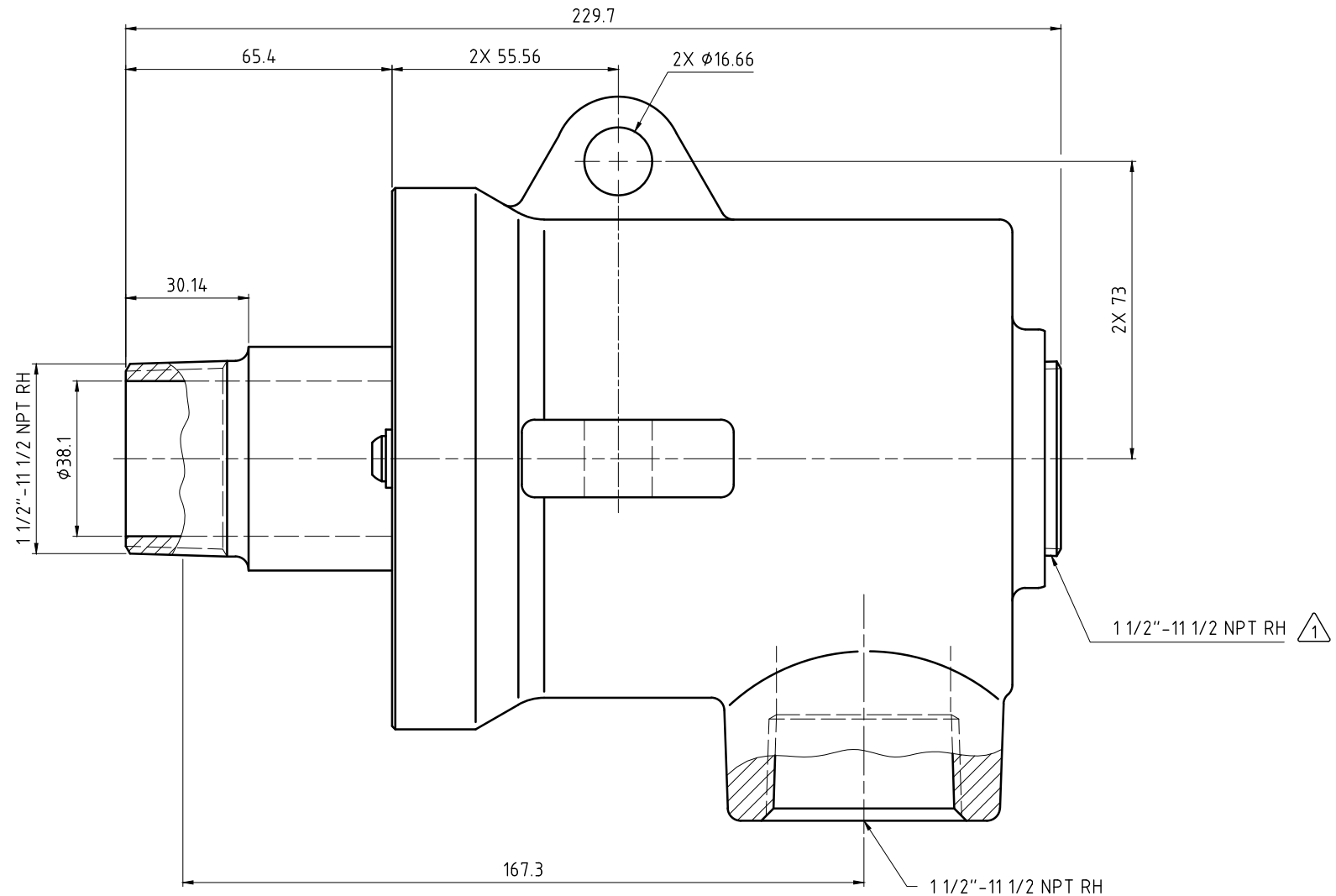


CONFIDENTIAL
 THIS DOCUMENT CONTAINS CONFIDENTIAL AND PROPRIETARY
 INFORMATION OF DEUBLIN COMPANY. COPYING, USE,
 TRANSMISSION, DISTRIBUTION, AND DISCLOSURE ARE SUBJECT
 TO THE TERMS AND CONDITIONS CONTAINED IN YOUR
 AGREEMENT WITH DEUBLIN COMPANY. ALL RIGHTS RESERVED.

NOTES:

1 - PLUG INSTALLED HAND TIGHT FROM FACTORY. IF PORT IS NOT UTILIZED,
 TIGHTEN BEFORE USE.



OPERATING DATA:
 SATURATED STEAM SERVICE
 150 PSI (10 BAR) MAX. PRESSURE
 400 RPM (400/MIN) MAX. SPEED
 365°F (185°C) MAX. STEAM TEMPERATURE

		PROJECTION: 	SCALE: 1:1		
			MATERIAL:		
	DATE	NAME	TITLE:		
	DRN. 08/16/10	RM	INTERFACE CONTROL DRAWING FOR UNION 9150-001-103		
	ENGR. ARS	08/16/10			
	APPD.				
UNLESS SPECIFICALLY TOLERANCED, ALL DIMENSIONS ARE CONSIDERED REFERENCE			NO. 9150-001-103		
ISSUE	MODIFICATION	ECO	DATE	SIGN	SHEET A2